

Type _____
 Project _____
 Catalog No. _____
 Lamp/Wattage _____

NTL-316 (Low Voltage Track)
MR16 European Glass Disc Face
 Lamp: 20W - 50W Halogen MR16

PRODUCT DESCRIPTION

Low voltage die cast lamp holder with decorative frosted glass disk mounted on two stainless steel posts protruding from face of MR16 light source. Horizontal adjustment friction locked, knob provided to lock vertical adjustment

FEATURES

- Die cast aluminum provides superior strength and rigidity.
- Low profile, aesthetic design.
- Decorative glass face provides unique effect for custom applications.
- High-strength stainless steel electrical contacts.
- One or two circuit track capable.

CONSTRUCTION

Body Assembly

Main body consists of a two-piece .080 die cast aluminum housing connected with four polished stainless steel screws. Two additional stainless steel screws secure a porcelain MR16 GU5.3 base socket.

Face

Two .2 stainless steel standoffs secure a .19 glass disk to housing in front of MR16 light source. Disk is 4-3/4" in diameter, with a 1-3/4" diameter opening in the center

Yoke

Ø8 Rigid steel curved yoke connects fixture housing to integral transformer. Black plastic tightening knob maintains clean, decorative appearance of the fixture and provides secure angle position.

Contact Head Assembly

Three .030 stainless steel contacts mounted to integral transformer.

Socket

Porcelain socket for GU5.3 12V MR16 lamp.

Lamp

One 20W-50W 12V MR16 Halogen Lamp (Ordered Separately).

One/Two Circuit Conversion

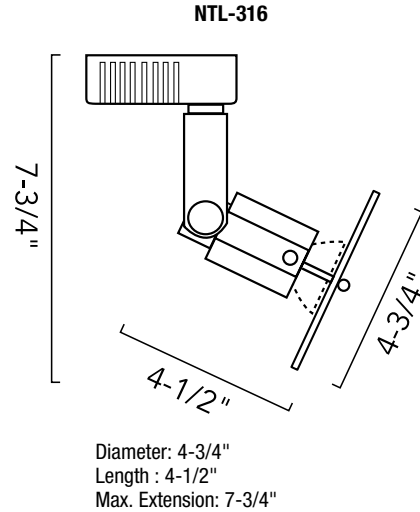
Positive contact (opposite neutral and ground contacts) is preset to "down" position at factory but may be raised to the higher position to install onto the second circuit of Nora Lighting NT- 2300 series two-circuit track.

ELECTRICAL SYSTEM

1. Transformer – Solid-state electronic transformer provides noise-free voltage reduction and operation. If dimming, use electronic low voltage rated only dimming controls. *If dimming, lamp manufacturers recommend burning the MR16 at full power for 100 consecutive hours prior to using dimming control. Failure to apply this precaution may reduce lamp life. Integral Unit - 120V/60Hz Input; 12V Output; 50VA Max. Load

2. Wiring - Teflon coated wire lead connects socket and housing to electrical contact head. Teflon coating is durable and resists heat degradation from lamp and housing radiation.

DIMENSIONS



FINISHES

Transformer is black; remainder of fixture is silver powder coat.

OPTIONAL ACCESSORIES

Re-Lamping Tool.....NT-363

LABELS AND LISTINGS

UL Listed.



Micro II European Style Glass Disc Face

Catalog No.	Min. - Max Wattage	Finishes	Style
NTL-316	20W - 50W	S = Silver	H-Style

Create a complete track head number: Example: NTL - 316 S