

NYLM iLENE Series - Mini LED Cylinder Pendant

Source: 14W - 1000Lumen / 25W - 1500Lumen / 35W - 2000 Lumen

PRODUCT DESCRIPTION

Cylindrical pendant mounted LED fixture. Deep set optics in a reflector cone for optimal visual comfort. Uses Cree LED platform with a dedicated heat sink driven by a Cree supported outboard driver mounted in canopy for cool operation and extended life. Cree technology and 90+ CRI provide excellent color rendition for the life of the product.

FEATURES

- 2700K / 3000K / 4000K
- 90+ CRI
- Cree COB
- Dimmable
- 5 Year Limited Warranty
- Includes Flood (installed), narrow flood and spot field changeable reflectors

CONSTRUCTION

Body

Extruded aluminum cylinder with aluminum vented top. Field adjustable coaxial cable.

Optics

Deep set optics for minimal aperture brightness. Flood reflector installed, but includes field changeable spot and narrow flood reflectors.

Finish

Available in Matte White with matte white reflector, Matte Black with matte black reflector and Matte Silver with matte silver reflector

Mounting:

Mounts on standard fixture box. Includes 8' of field adjustable coax cable

Dimmer/Driver:

LE3 - 120V Triac dimming
 LE4 - 120V Triac or 0-10V & 277V 0-10V dimming

ELECTRICAL

2"		3"	
Lumens	1000LM	Lumens	1500LM
VAC Input	LE3 - 120V LE4 - 120V/277V	VAC Input	120V/277V
Wattage	14W	Wattage	25W
Driver (Separate and Dedicated)	1000 Lumens - 14W	Driver (Separate and Dedicated)	1500 Lumens - 25W
Life Expectancy	50,000 Hours	Life Expectancy	50,000 Hours
Beam Spread	25°, 38°, 60° (installed)	Beam Spread	25°, 38°, 60° (installed)

5"	
Lumens	2000LM
VAC Input	120V/277V
Wattage	35W
Driver (Separate and Dedicated)	2000 Lumens - 35W
Life Expectancy	50,000 Hours
Beam Spread	18°, 28°, 42°

Labels and Listings:

cULus for Damp Location
 Energy Star

COMPATIBLE DIMMERS

Dimming Function: Continuous Dimming
 For Dimming Compatibility [Click Here](#) or refer to www.NoraLighting.com for complete updated dimmer list in the "Compatibility" page under the "Resource" tab.

NYLM iLENE Series

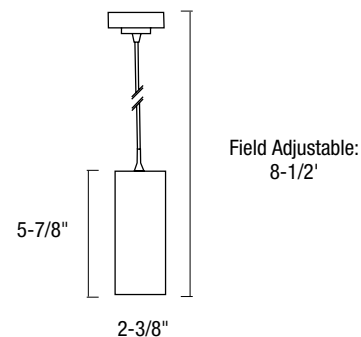
Catalog No.	Size (Wattage)	Color Temp.	Finish	Driver
NYLM-	2C = 2"	27X ¹ = 2700K	WW = White	LE3 ² = 120V Triac Dimming
	3C = 3"	30X = 3000K	BB = Black	LE4 = 120V Triac or 0-10V & 277V 0-10V Dimming
	5C = 5"	40X = 4000K	SS = Silver	

¹ NOT available on NYLM-5C Series
² NOT available on NYLM-3C and NYLM-5C Series

Example: NYLM-3C30XBBLE4 - iLENE 3" pendant 25W, 1500L, Black Finish, 120V Triac or 0-10V & 277V 0-10V Dimming with 25, 38, & 60 degree reflectors.

NYLM-2C

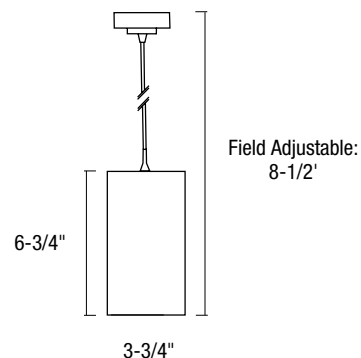
Length : 5-7/8"
 Diameter : 2-3/8"
 Field Adjustable: 8-1/2'



Beam Spread: 25°, 38°, 60° (installed)

NYLM-3C

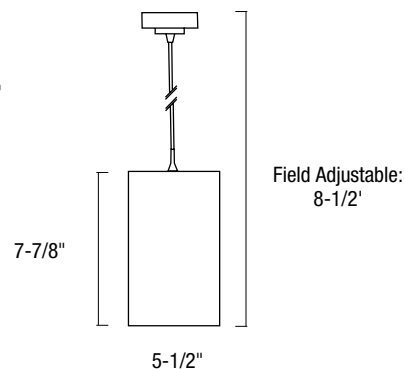
Length : 6-3/4"
 Diameter : 3-3/4"
 Field Adjustable: 8-1/2'



Beam Spread: 25°, 38°, 60° (installed)

NYLM-5C

Length : 7-7/8"
 Diameter : 5-1/2"
 Field Adjustable: 8-1/2'



Beam Spread: 18°, 28°, 42° (installed)