

NYLM-3SC - 3" iLENE Surface Mount LED Mini Cylinder

Source: 1500LM, 25W

PRODUCT DESCRIPTION

Cylindrical surface mounted LED fixture. Deep set optics in a reflector cone for optimal visual comfort. Uses Cree LED platform with a dedicated heat sink driven by a Cree supported outboard driver mounted in canopy for cool operation and extended life. Cree COB technology and 90+ CRI provide excellent color rendition for the life of the product.

FEATURES

- 2700K / 3000K / 4000K
- 90+ CRI
- Cree COB
- Dimmable
- 5 Year Limited Warranty
- Includes Flood (installed), narrow flood and spot field changeable reflectors
- Beam Spread: 25°,38°,60° (Installed)

CONSTRUCTION

Body

Extruded aluminum cylinder with aluminum vented top. Field adjustable coaxial cable.

Optics

Deep set optics for minimal aperture brightness. Flood reflector installed, but includes field changeable spot and narrow flood reflectors.

Finish

Available in Matte White with matte white reflector, Matte Black with matte black reflector and Matte Silver with matte silver reflector

Mounting:

Mounts on standard fixture box.

Dimmer/Driver:

120V - triac or 0-10V dimming
 277V - 0-10V Dimming

ELECTRICAL

- Lumen: 1500LM
- VAC Input: 120V-277V
- Wattage: 25W
- Dimming: 0-10V and Triac
- Driver (Seperate and Dedicated)
 - 1500 Lumens - 25W
 - 50,000 Hr Life Expectancy

Labels and Listings:

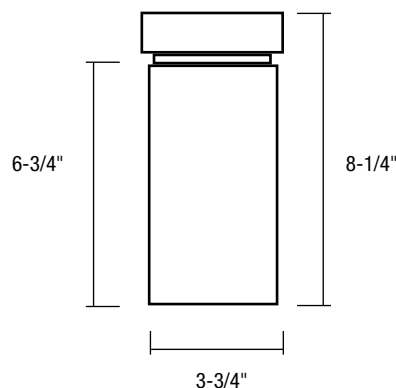
cULus for Damp Location
 Energy Star

COMPATIBLE DIMMERS

Dimming Function: Continuous Dimming
 For Dimming Compatibility [Click Here](#) or refer to www.NoraLighting.com for complete updated dimmer list in the "Compatibility" page under the "Resource" tab.



Beam Spread: 25°,38°,60° (Installed)



Length : 6-3/4"
 Diameter : 3-3/4"
 Max. Ext. : 8-1/4"

3" iLENE Surface Mount

Catalog No.	Size (Wattage)	Color Temp.	Finish	Driver
NYLM-	3SC = 3"	27X = 2700K	WW = White	LE4 = 0-10V TRIAC
		30X = 3000K	BB = Black	
		40X = 4000K	SS = Silver	

Example: NYLM-3SC27XWWLE4