

# NYLM-3

## 3" iLENE LED Mini Cylinders

Source: 30W LED  
1500lm

Type

Project

Catalog No.

Notes

### PRODUCT DESCRIPTION

iLENE Series of dedicated LED Mini Cylinders are available in three sizes and outputs, with multiple mounting options. Using Cree® COB technology, the iLENE produces 90+ CRI with excellent cut-off for visual comfort. Each cylinder includes three field-changeable optics for spot, narrow flood and flood (installed) beam spreads.

### FEATURES

- 1500lm / 30W LED
- Cree® LED COB or Comfort Dim Technology
- Stem, Surface or Cable Mounted
- 2700K, 3000K, 3500K, 4000K or Comfort Dim @ 90+ CRI
- Flood (installed), narrow flood and spot optics included
- Triac, ELV or 0-10V dimming
- Black, silver or white cylinder finish
- ENERGY STAR® certified
- 5-year limited warranty

### SPECIFICATION

**Construction:** Extruded aluminum cylinder with aluminum vented top. Driver is mounted in the canopy to dissipate heat away from the LED module and extend life expectancy.

**Reflector:** Deep set reflector for minimal aperture brightness. Reflector finish matches cylinder finish.

**Optic:** Each iLENE cylinder includes three field-changeable optics for spot, narrow flood and flood (installed) beam spreads.

**Installation:** Canopy includes driver and mounts on a junction box.

**Cable Mount:** Cylinder comes with 8' of field adjustable aircraft cable

**Pendant Mount:** Cylinder can be stem mounted, must specify stem length (12" increments), 12" Stems are internally threaded to be connected together up to 7.

**Surface:** Cylinder is connected to canopy to mount directly over junction box.

### ELECTRICAL

**Voltage:** 120V/277V

**Lumens / Wattage:** 1500lm / 30W (1300lm with Comfort Dim)

**Color Temperature:** 2700K, 3000K, 3500K or 4000K

**Comfort Dim:** Comfort Dim color tunes the temperature from a bright 3100K, to a romantic and comfortable 2000K on a gradual, even curve. Comfort Dim provides up to 725lm.

**CRI:** 90+CRI

**Dimming:** Triac, ELV or 0-10V

[Click Here](#) or check complete dimmer list at [www.NoraLighting.com](http://www.NoraLighting.com) in the "Compatibility" page under "Resources" tab

### ACCESSORIES

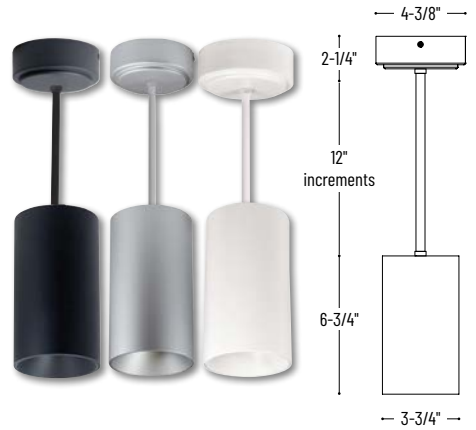
3" iLENE cylinders accept decorative translucent collars or opaque snoots. Translucent collars color the aperture with the specified color while producing white general light. Opaque snoots greatly reduce aperture brightness while preserving light output. (Note: black snoot will reduce light).

### LABELS AND LISTINGS

- cULus Listed for Damp Locations
- ENERGY STAR® Certified
- [5-Year Limited Warranty](#)
- Certified to the high efficacy requirements of California Title 24 JA8-2019



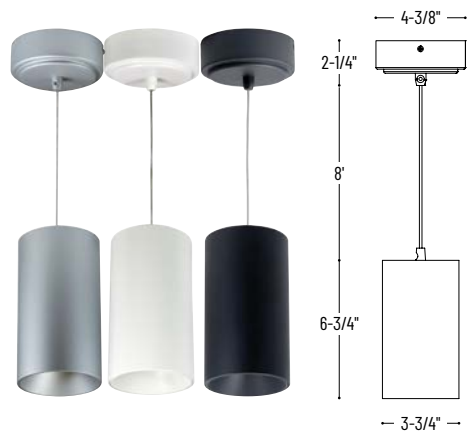
### PRODUCT IMAGES & DIMENSIONS



**NYLM-3ST**  
Stem Mounted



**NYLM-3SC**  
Surface Mounted



**NYLM-3C**  
Cable Mounted

### 3" iLENE LED Mini Cylinder with Stem

Mounting Option	CCT	Finish	Input Voltage / Dimming	Stem Length
NYLM-3ST = Stem Mounted	<b>27X</b> = 2700K	<b>BB</b> = Black <b>SS</b> = Silver <b>WW</b> = White	<b>LE4</b> = 120V/277V input; Triac/ELV/0-10V	<b>/12</b> = 12" (1')
	<b>30X</b> = 3000K			<b>/24</b> = 24" (2')
	<b>35X</b> = 3500K			<b>/36</b> = 36" (3')
	<b>40X</b> = 4000K			<b>/48</b> = 48" (4')
	<b>CDX</b> = Comfort Dim (3100K to 2000K)			<b>/60</b> = 60" (5')
NYLM-3C = Cable Mounted NYLM-3SC = Surface Mounted	<b>27X</b> = 2700K	<b>BB</b> = Black <b>SS</b> = Silver <b>WW</b> = White	<b>LE4</b> = 120V/277V input; Triac/ELV/0-10V	<b>/72</b> = 72" (6')
	<b>30X</b> = 3000K			<b>/84</b> = 84" (7')
	<b>35X</b> = 3500K			
	<b>40X</b> = 4000K			
	<b>CDX</b> = Comfort Dim (3100K to 2000K)			

### Accessories

Description
<b>NIO-AS14AM</b> = Amber Translucent Decorative Collar
<b>NIO-AS14BLU</b> = Blue Translucent Decorative Collar
<b>NIO-AS14FR</b> = Frosted Translucent Decorative Collar
<b>NIO-AS14R</b> = Red Translucent Decorative Collar
<b>NIO-AS14BLK</b> = Black Opaque Snoot
<b>NIO-AS14MPW</b> = Matte Powder White Opaque Snoot
<b>NIO-AS14WH</b> = White Opaque Snoot

Example: **NYLM-3C30XBBLE4** = 3" iLENE LED Mini Cylinder, Cable Mounted, 3000K, Black finish, 120V/277V input; Triac, ELV or 0-10V dimming