

NYLM-5

5" iLENE LED Mini Cylinders

Source: 40W LED
2000lm

Type _____

Project _____

Catalog No. _____

Notes _____

PRODUCT DESCRIPTION

iLENE Series of dedicated LED Mini Cylinders are available in three sizes and outputs, with pendant or surface mount options. Using Cree® COB technology, the iLENE produces 90+ CRI with excellent cut-off for visual comfort. Each cylinder includes three field-changeable optics for spot, narrow flood and flood (installed) beam spreads.

FEATURES

- 2000lm / 40W LED
- Cree® LED COB or Comfort Dim Technology technology
- Stem, Surface or Cable Mounted
- 2700K, 3000K, 3500K, 4000K or Comfort Dim @ 90+ CRI
- Flood (installed), narrow flood and spot optics included
- Triac, ELV or 0-10V dimming
- Black, silver or white cylinder finish
- ENERGY STAR® certified
- 5-year limited warranty

SPECIFICATION

Construction: Extruded aluminum cylinder with aluminum vented top. Driver is mounted in the canopy to dissipate heat away from the LED module and extend life expectancy.

Reflector: Deep set reflector for minimal aperture brightness. Reflector finish matches cylinder finish.

Optic: Each iLENE cylinder includes three field-changeable optics for spot, narrow flood and flood (installed) beam spreads.

Installation: Canopy includes driver and mounts on a junction box.

Cable Mount: Cylinder comes with 8' of field adjustable aircraft cable

Pendant Mount: Cylinder can be stem mounted, must specify stem length (12" increments). 12" Stems are internally threaded to be connected together up to 7.

Surface: Cylinder is connected to canopy to mount directly over junction box

ELECTRICAL

Voltage: 120V/277V

Lumens / Wattage: 2000lm / 40W (1800lm with Comfort Dim)

Color Temperature: 2700K, 3000K, 3500K or 4000K

Comfort Dim: Comfort Dim color tunes the temperature from a bright 3100K, to a romantic and comfortable 2000K on a gradual, even curve. Comfort Dim provides up to 725lm.

CRI: 90+CRI

Dimming: Triac, ELV or 0-10V

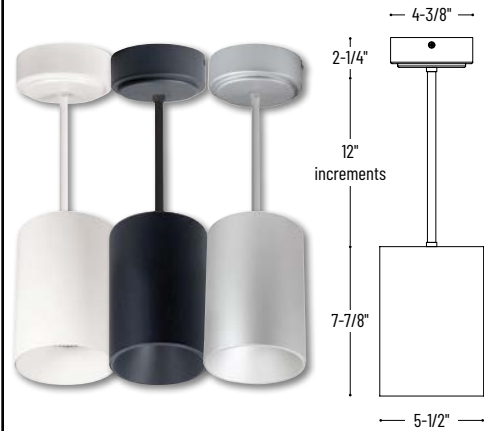
[Click Here](#) or check complete dimmer list at www.NoraLighting.com in the "Compatibility" page under "Resources" tab

LABELS AND LISTINGS

- cULus Listed for Damp Locations
- ENERGY STAR® Certified
- [5-Year Limited Warranty](#)
- Certified to the high efficacy requirements of California Title 24 JA8-2019



PRODUCT IMAGES & DIMENSIONS



NYLM-5ST

Stem Mounted



NYLM-5SC

Surface Mounted



NYLM-5C

Cable Mounted

5" iLENE LED Mini Cylinder with Stem

Mounting Option	CCT	Finish	Input Voltage / Dimming	Stem Length
NYLM-5ST = Stem Mounted	27X = 2700K	BB = Black	LE4 = 120V/277V input; Triac/ELV/0-10V	/12 = 12" (1')
	30X = 3000K	SS = Silver		/24 = 24" (2')
	35X = 3500K	WW = White		/36 = 36" (3')
	40X = 4000K			/48 = 48" (4')
	CDX = Comfort Dim (3100K to 2000K)			/60 = 60" (5')
				/72 = 72" (6')
			/84 = 84" (7')	
NYLM-5C = Cable Mounted	27X = 2700K	BB = Black	LE4 = 120V/277V input; Triac/ELV/0-10V	
NYLM-5SC = Surface Mounted	30X = 3000K	SS = Silver		
	35X = 3500K	WW = White		
	40X = 4000K			
	CDX = Comfort Dim (3100K to 2000K)			

Example: **NYLM-5C30XBBLE4** = 5" iLENE LED Mini Cylinder, Cable Mounted, 3000K, Black finish, 120V/277V input; Triac, ELV or 0-10V dimming