

Installation Instructions

****URGENT: READ PRIOR TO ATTEMPTING INSTALLATION***

NMR-SERIES HID, LOW VOLTAGE, AND INCANDESCENT FIXTURES

FIRE/ELECTRICAL HAZARD: INSTALL ACCORDING TO NATIONAL ELECTRIC CODE AND ANY APPLICABLE MUNICIPAL CODE REQUIREMENTS.

This equipment is intended to be installed only by qualified personnel. The installation must be made in accordance with the current edition to the National Electric Code and all applicable state and local building codes. The final installation must be approved by the appropriate qualified electrical/building inspector(s). Improper installation may result in a fire or electrical hazard. Be sure the electrical power to the circuit has been disconnected before installing this electrical system.

WARNING - RISK OF FIRE: Most dwellings built before 1985 have supply wire rated 60 degrees Celsius (thermal cutoffs in fixtures operate at 90 degrees Celsius); consult a qualified electrician prior to installation.

STOP!! BEFORE PROCEEDING, MAKE SURE POWER IS DISCONNECTED.

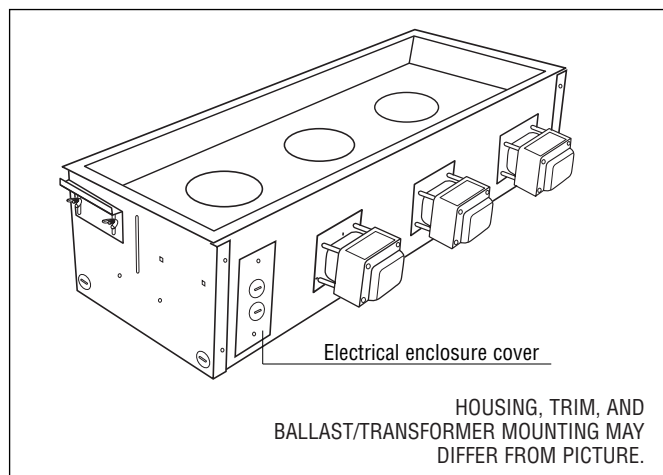
TO INSTALL HOUSING:

Standard "Joist" Ceilings:

1. Attach 2 supplied Butterfly Brackets to slots on both ends of the rectangular housing.
2. Insert NRA-28 Flat Bar Hangers (sold separately) to bottom slot of each butterfly bracket. Secure flat bar hangers to the bottom surface of joist.
3. For steel studs, use steel piercing screws in place of nails or barbed tabs.
4. **IMPORTANT: TO PREVENT VISIBLE CEILING HOLES, CEILING CUTOUT MUST BE MADE TO THE DIMENSION OF THE INNER EDGE OF THE HOUSING. DO NOT CUT THE CEILING TO THE OUTER EDGE OF THE HOUSING.**

T-Bar Ceilings:

1. If mounting to a T-Bar type ceiling, insert NRA-38 C-Channel Bar Hangers (sold separately) and mount fixture onto grid by placing notches on the bottom of each end of the bar hanger over the grid. Use knockouts on the ends of the bar hangers to tie down to the ceiling grid and/or independently secure to structural ceiling in compliance with seismic codes where required.
2. **IMPORTANT: TO PREVENT VISIBLE CEILING HOLES, CEILING CUTOUT MUST BE MADE TO THE DIMENSION OF THE INNER EDGE OF THE HOUSING. DO NOT CUT THE CEILING TO THE OUTER EDGE OF THE HOUSING.**



NOTE: NMR FIXTURE MUST MAINTAIN A MINIMUM CLEARANCE OF 3" FROM THERMAL INSULATION AND 1/2" CLEARANCE FROM ANY SIDE OR OVERHEAD STRUCTURAL COMPONENTS SUCH AS WOOD OR DRYWALL IN ACCORDANCE WITH UL AND NEC REQUIREMENTS.

Electrical Connections: Note that all connections to ballasts or transformers (if applicable) have been made; simply connect line, neutral and grounding to incoming circuits.

1. Remove electrical enclosure cover inside housing by removing brass nut.
2. Connect 1/2 inch trade size steel conduit or flex to junction box with appropriate fitting.
3. Connect incoming power to fixture:
 - Black - Supply Voltage
 - White - Neutral
 - Green/Copper - Copper or green grounding wire
4. Replace cover, secure with philips screw

Lamp Installation:

For Standard Eyeball Trims

- 1) Depress spring on socket assembly and feed socket through the opening at the rear of the eyeball trim.
- 2) Remove lamp locking ring from head by grasping three chrome retaining springs simultaneously and pulling away from head.
- 3) If snoot, louver, or other accessory is provided with fixture, insert into locking ring past lamp retaining spring.
- 4) Screw lamp base into socket assembly.
- 5) Insert lamp into locking ring securing with lamp retaining spring.
- 6) Install lamp assembly into head by compressing three locking springs simultaneously and pushing into fixture head.

- 2) Release the spring so that the socket assembly is secured to the trim.
- 3) Screw lamp base into socket assembly.

For Low Voltage and Gimbal Ring Trims

- 1) Screw lamp base into socket assembly.
- 2) Insert lamp into trim securing with lamp retaining spring.

Faceplate Installation:

- 1) Ensure all lamps and trims are secured properly to faceplate.
- 2) Secure faceplate, with lamp heads, to housing with 2 torsion springs.

For Other Eyeball Trims

- 1) Depress spring on socket assembly and insert into slotted opening at the rear of the eyeball trim.