

# Installation Instructions

\*\*\*URGENT: READ PRIOR TO ATTEMPTING INSTALLATION\*\*\*

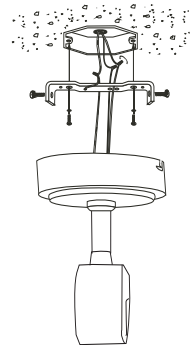
## NRS21-252BNFR NORA RAIL KIT



ALWAYS TURN OFF MAIN POWER BEFORE INSTALLATION

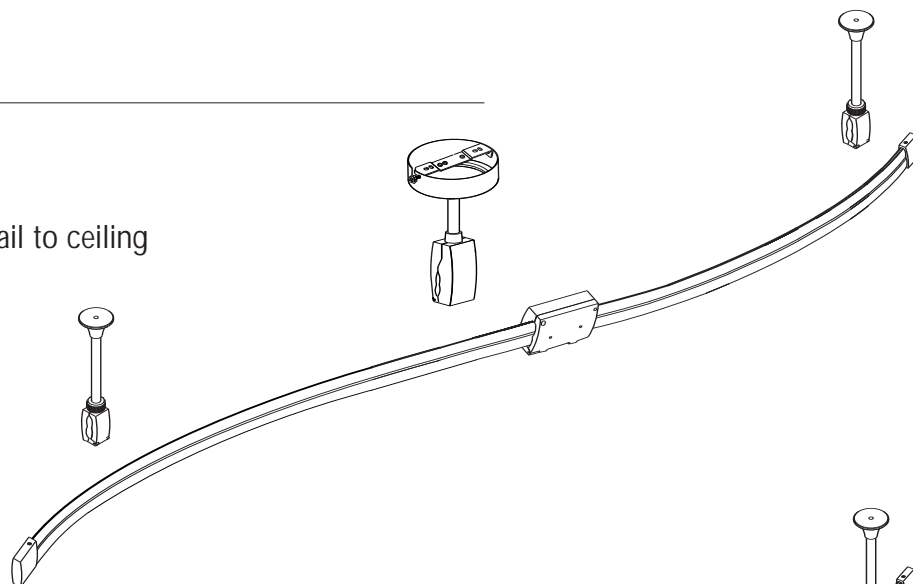
### STEP 1

Mount canopy for power stem to existing electrical junction box



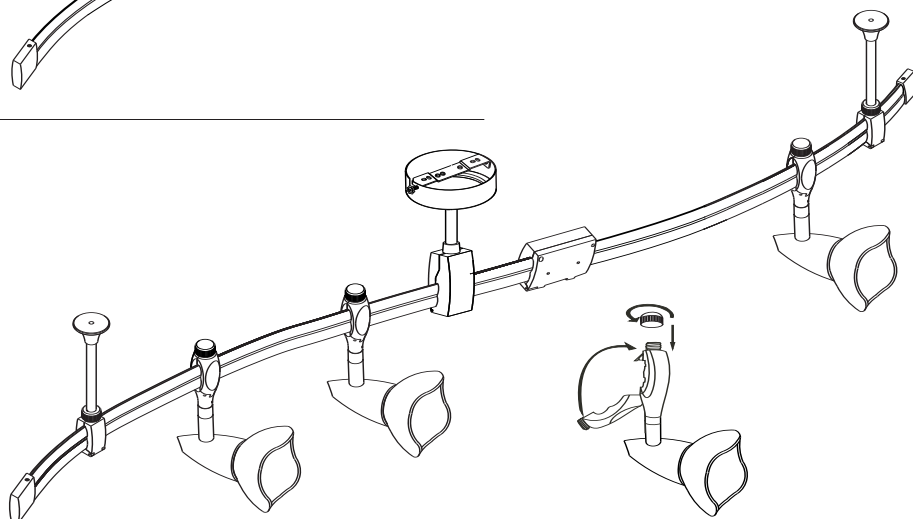
### STEP 2

Mount hardware and rail to ceiling



### STEP 3

Add heads



INSTALLATION SHOULD BE CARRIED OUT BY YOUR LOCAL ELECTRICIAN.