

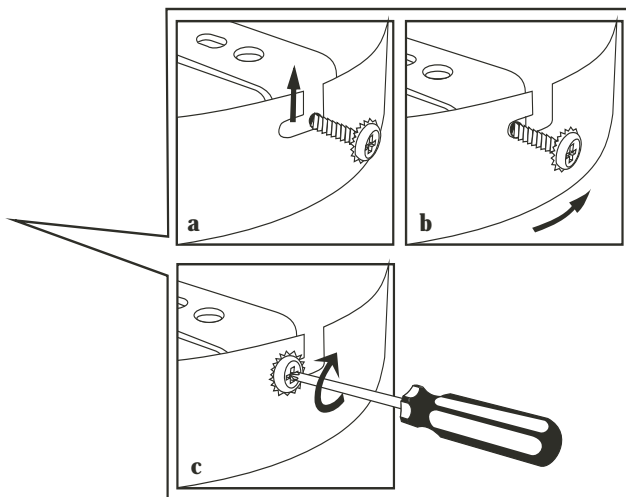
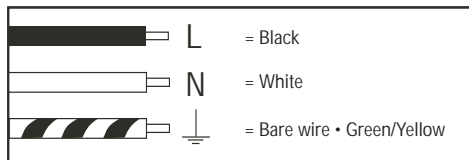
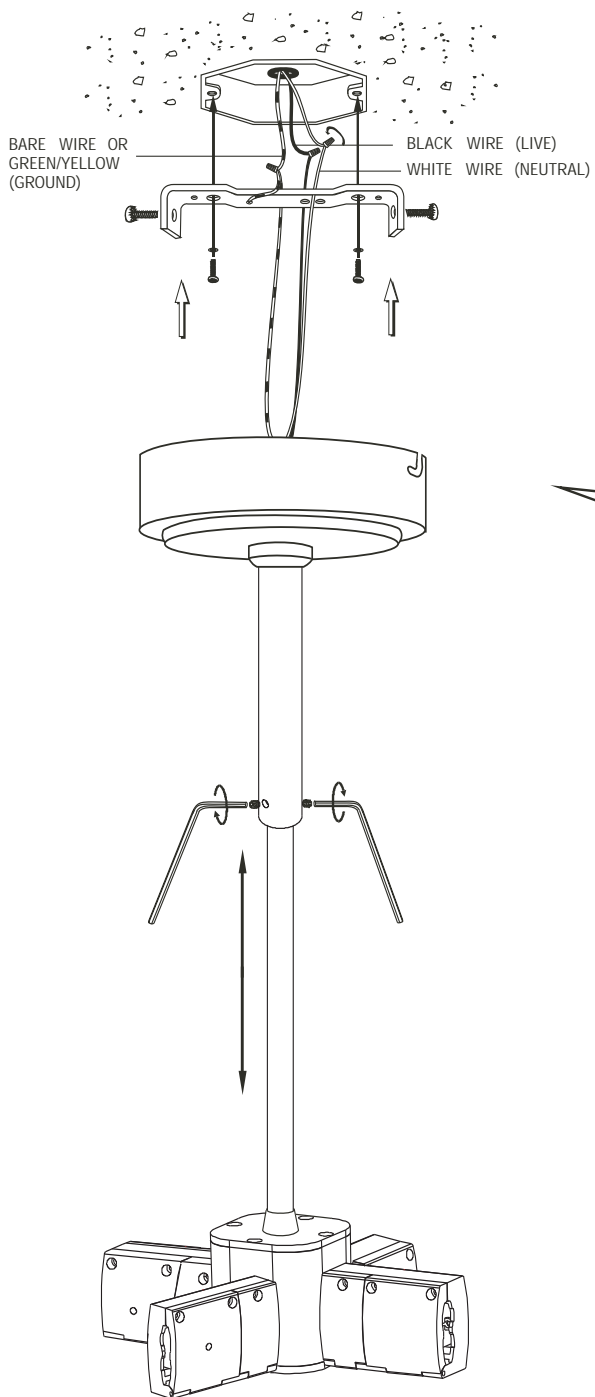
# Installation Instructions

\*\*\*URGENT: READ PRIOR TO ATTEMPTING INSTALLATION\*\*\*

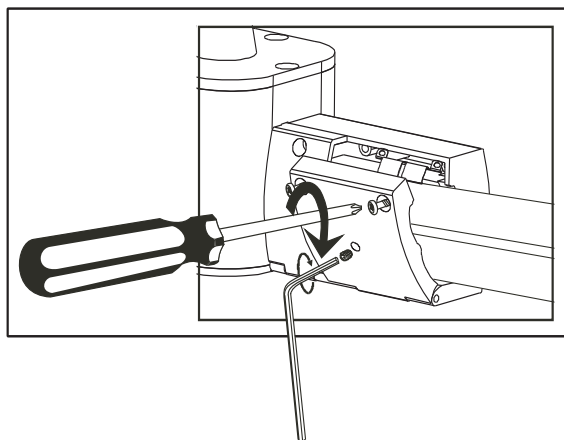
## NORA RAIL COLLECTION - NRS90-P01, NRS90-P02, NRS90-P03



ALWAYS TURN OFF MAIN POWER BEFORE INSTALLATION



Installation should be carried out by your local electrician



INSTALLATION SHOULD BE CARRIED OUT BY YOUR LOCAL ELECTRICIAN.