

Installation Instructions

NLIN-PCCA

Pendant & Power Mounting Kit for L-Line LED Linear

READ PRIOR TO ATTEMPTING INSTALLATION
ALWAYS TURN OFF MAIN POWER BEFORE INSTALLATION
INSTALLATION SHOULD BE CARRIED OUT BY YOUR LOCAL ELECTRICIAN

⚠ FIRE/ELECTRICAL HAZARD: INSTALL ACCORDING TO NATIONAL ELECTRIC CODE AND ANY APPLICABLE MUNICIPAL CODE REQUIREMENTS. - This equipment is intended to be installed only by qualified personnel. The installation must be made in accordance with the current edition to the National Electric Code and all applicable state and local building codes. The final installation must be approved by the appropriate qualified electrical/building inspector(s). Improper installation may result in a fire or electrical hazard. Be sure the electrical power to the circuit has been disconnected before installing this electrical system.

⚠ RISQUE D'INCENDIE / D'ÉLECTRICITÉ: INSTALLER SELON LE CODE ÉLECTRIQUE NATIONAL ET TOUTES LES EXIGENCES RELATIVES AU CODE MUNICIPAL APPLICABLE. - Cet équipement est destiné à être installé uniquement par du personnel qualifié. L'installation doit être faite conformément à l'édition actuelle du Code national de l'électricité et de tous les codes de construction locaux et nationaux applicables. L'installation finale doit être approuvée par un ou plusieurs inspecteurs qualifiés en électricité / bâtiment. Une installation incorrecte peut entraîner un incendie ou un risque électrique. Assurez-vous que l'alimentation électrique du circuit a été déconnectée avant d'installer ce système électrique.


POWER MOUNTING KIT INSTALLATION

1. Ensure electrical power is off.
2. Ensure the length of the support wire is acceptable.
3. Put teeth washer around the stud, and tighten the stud on the junction box bracket with the hex nut on the other side. Then secure the bracket to the junction box with two 8-32 machine screws. (min. 12mm long)
4. Run power cord through strain relief and canopy from the bottom, adjust the wire length, and tighten the strain relief. Secure the strain relief on the canopy with lock nut, and cut wires to provide min. 6" pigtail above canopy.
5. Wire the power cord to input wires in the junction box, using wire nuts. (See electrical connections)
6. Insert aircraft cable through the cable coupler. Secure cable coupler on threaded stud. Insert the other end of the aircraft cable into cable gripper. (To adjust the cable length, pull cable through the gripper or depress the top cylinder on the gripper)
7. Remove end cap from luminaire closest to knockouts by loosening screw on top.
8. Secure the cable gripper to the base with screw and slide the base into the slot on the top of luminaire. **NOTE:** Knockouts are not intended for conduit connection.
9. Break the second knockout from the end. Run the other side of the power cord through another strain relief and the knockout. Secure the strain relief to the luminaire with lock nut. **NOTE:** Do not remove male connector (10 wires)
10. Remove the female connector (5 wires) off the luminaire by cutting the wires.
11. Strip the wires 11mm/0.43in, and connect the wires on the luminaire to the wires on the power cord using compact splicing connectors. White to White, Green to Green, Black to Black, Purple to Purple, and Grey or Pink to Grey or Pink.
12. Push the connections into the luminaire.
13. Replace end cap on luminaire and secure with screw on top.

ELECTRICAL CONNECTIONS


White (Luminaire)  White (Power Cord)

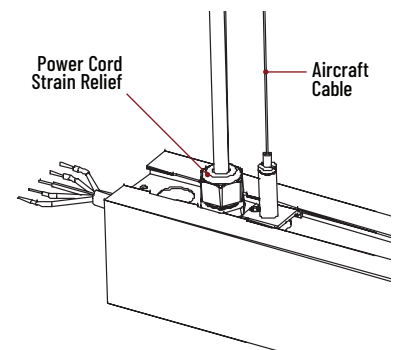
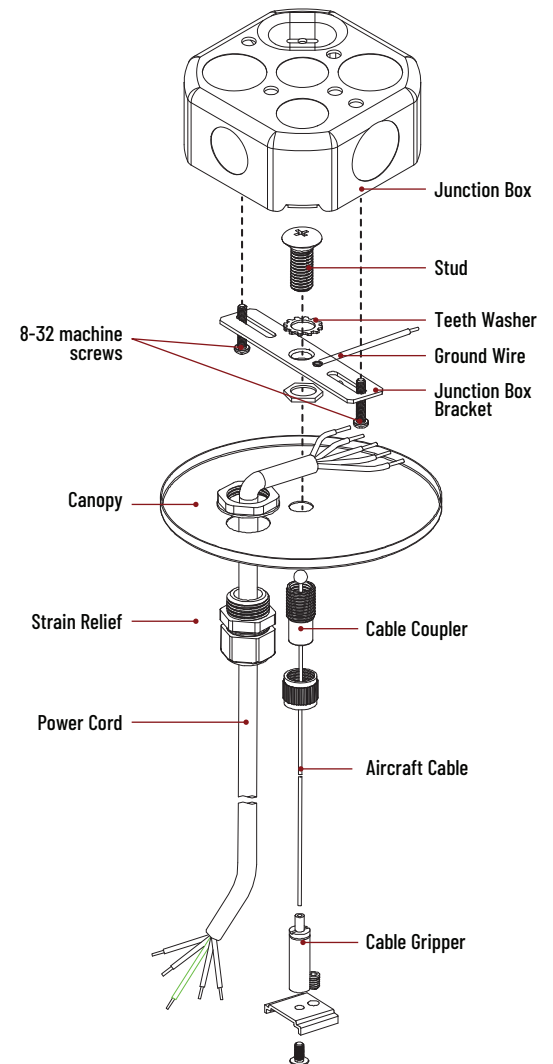
Black (Luminaire)  Black (Power Cord)

Green (Luminaire)  Green (Power Cord)

0-10V WIRING:

Purple (Luminaire)  Purple (Power Cord)

Grey or Pink (Luminaire)  Grey or Pink (Power Cord)



Installation Instructions

NLIN-PCCA

Pendant & Power Mounting Kit for L-Line LED Linear

READ PRIOR TO ATTEMPTING INSTALLATION
ALWAYS TURN OFF MAIN POWER BEFORE INSTALLATION
INSTALLATION SHOULD BE CARRIED OUT BY YOUR LOCAL ELECTRICIAN

PENDANT MOUNTING KIT INSTALLATION

⚠️ TURN OFF MAIN POWER BEFORE INSTALLATION

1. Mount canopy to surface by drilling screw through coupler and canopy. Drywall anchor provided, if needed. (Figure 1)
2. Attach aircraft cable to coupler. (Figure 2)
3. Remove end cap from LED luminaire and insert mounting kit into slot. (Figure 3)
4. Tighten set screw on mounting kit to secure location. Do not place set screw on the knockouts. (Figure 4)
5. Depress strain relief to adjust aircraft cable length and cut excess cable. (Figure 5)

