

Installation Instructions

NTE-LINTW

T-Line LED Linear Track Head with Selectable CCT

READ PRIOR TO ATTEMPTING INSTALLATION
ALWAYS TURN OFF MAIN POWER BEFORE INSTALLATION
INSTALLATION SHOULD BE CARRIED OUT BY YOUR LOCAL ELECTRICIAN

- ⚠ WARNING** - Risk of fire or electric shock. LED Kit installation requires knowledge of luminaire electrical systems. If not qualified, do not attempt installation. Contact a qualified electrician.
- ⚠ WARNING** - Risk of fire or electric shock. Install this kit only in luminaires that have the construction features and dimensions shown in the photographs and / or drawings and where the input rating of the retrofit kit does not exceed the input rating of the luminaire.
- ⚠ WARNING** - To prevent wiring damage or abrasion, do not expose wiring to edges of sheet metal or other sharp objects.
- ⚠ WARNING** - This equipment is intended to be installed only by qualified personnel. The installation must be made in accordance with the current edition to the National Electric Code and all applicable state and local building codes. The final installation must be approved by the appropriate qualified electrical/building inspector(s). Improper installation may result in a fire or electrical hazard. Be sure the electrical power to the circuit has been disconnected before installing this electrical system.
- ⚠ AVERTISSEMENT** - Risque d'incendie ou d'électrocution. L'installation du kit LED requiert la connaissance des systèmes électriques des luminaires. Si vous n'êtes pas qualifié, ne tentez pas l'installation. Contactez un électricien qualifié.
- ⚠ AVERTISSEMENT** - Risque d'incendie ou de choc électrique. N'installez ce kit que dans des luminaires ayant les caractéristiques de construction et les dimensions indiquées sur les photographies et / ou les dessins et dont la valeur d'entrée du kit de conversion ne dépasse pas la puissance nominale du luminaire.
- ⚠ AVERTISSEMENT** - Pour éviter d'endommager le câblage ou l'abrasion, n'exposez pas le câblage aux bords de la tôle ou d'autres objets pointus.
- ⚠ AVERTISSEMENT** - Cet équipement est destiné à être installé uniquement par du personnel qualifié. L'installation doit être faite en conformité avec l'édition actuelle du Code national de l'électricité et toutes étatiques et locales codes du bâtiment applicables. L'installation finale doit être approuvée par l'inspecteur en électricité / bâtiment qualifié approprié(s). Une mauvaise installation peut entraîner un incendie ou un risque électrique. Soyez sûr de la puissance électrique vers le circuit a été coupée avant l'installation de ce système électrique.

INSTALLATION INSTRUCTIONS

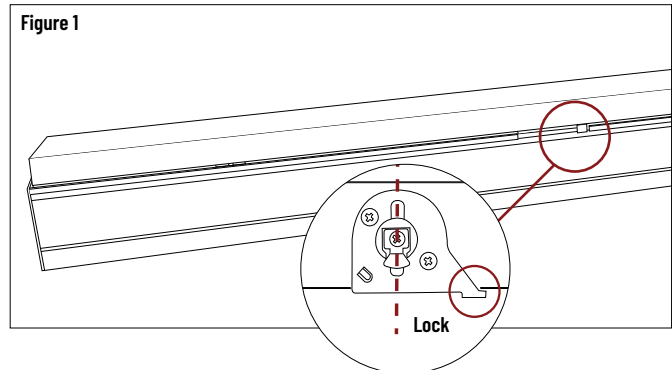
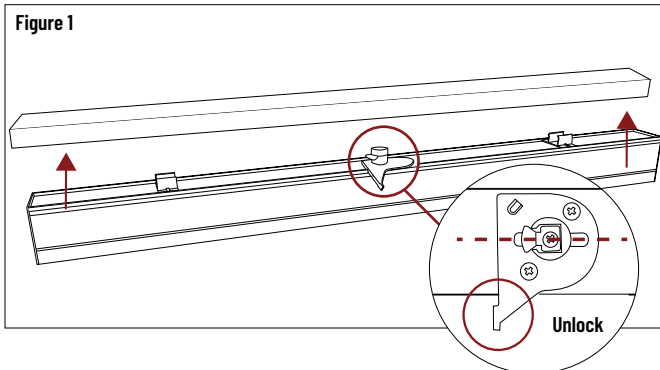
⚠ TURN OFF MAIN POWER BEFORE INSTALLATION

NOTE: LED Track head comes ready to install right out of the box.

1. Turn off power before beginning installation.
 2. Use the slider to put the contact head adapter to unlock position and insert into the track.(Figure 1)
 3. Make sure the polarity lines on both track and fixture are aligned.
 4. Push the fixture straight into track, and put contact head adapter to lock position. (Figure 2)
- Note:** Luminaire is preset to 3000K and may have been changed in shipping / handling / installation. (Figure 3)
5. Place junction box through the mounting hole and secure. (Figure 4)

REMOVAL INSTRUCTIONS:

1. To remove, set contact head adapter to unlock position and remove from track.



ACCESSORY INSTALLATION (ORDERED SEPARATELY)

REPLACING LENS

NOTE: Push the tabs carefully.

1. Use a screw driver to push the tab located in a hole at the flat end of the linear track head. (end cap without the switch)(Figure 1)
2. Gently push the tab and pry out the end cap. (Figure 2)
3. Slide lens into the gap found on the fixture and put back the end cap cover.

INSTALLING VISOR (ordered separately)

NOTE: Push the tabs carefully.

1. Use a screw driver to push the tab located in a hole at the flat end of the linear track head. (end cap without the switch)(Figure 1)
2. Gently push the tab and pry out the end cap. (Figure 2)
3. Insert visor into the gap located at the side of the fixture and put back the end cap cover.

