

NLIN

L-Line LED Direct Linear Series

Source: 23W to 82W LED
2100lm to 8400lm

Type

Project

Catalog No.

Notes

PRODUCT DESCRIPTION

L-Line series offers a clean and modern appearance with a sleek extruded aluminum housing. Symmetrical light distribution will evenly illuminate surfaces with a diffused lens, making the L-Line ideal for commercial, retail, healthcare and education applications. Available in surface or pendant mounting options. Series can be connected with seamless luminous L,X or T connectors.

FEATURES

- 2100lm, 4200lm or 8400lm LED packages
- 3000K, 3500K, 4000K
- Surface mount or pendant kits available
- 120-277V input and 0-10V dimming

SPECIFICATION

Construction: One piece extruded aluminum housing with solid end caps. Includes diffused polycarbonate lens for symmetrical light distribution. All components are aluminum finish except for surface mount J-box cover which is white.

Mounting: Luminaires include an extruded slot for surface mounting or pendant mounting. Junction box cover is available for surface mounting applications. When pendant mounting, it is recommended to use two hanging points (NLIN-CCA) per fixture. Power mounting kit includes two hanging points. The system can not be powered at the L, T, and X connectors.

ELECTRICAL

Input Voltage: 120-277V

Lumens / Wattage:

NLIN-2 = 2100lm / 23W; **NLIN-4** = 4200lm / 41W; **NLIN-8** = 8400lm / 82W

NLIN-X = 5200lm / 47W; **NLIN-T** = 4600lm / 46W; **NLIN-L** = 3000lm / 31W

Color Temperature: 3000K, 3500K, 4000K

Color Rendering Index: 80+ CRI

Operating Temperature: 0°C to 30°C

Dimming: 0-10V dimming down to 10%

Maximum Run Length: 80'

Emergency: Luminaire is compatible with [NEPK-20LEDUNV](#) (ordered separately). Battery operates luminaire at 20W for 90 minute emergency operation with a fully charged battery.

ACCESSORIES

[NLIN-PCC](#): 8' Pendant & Power Mounting Kit (aircraft + power cord canopy & aircraft canopy)

[NLIN-PCC/20](#): 20' Pendant & Power Mounting Kit (aircraft + power cord canopy & aircraft canopy)

[NLIN-CC](#): 8' Pendant Mounting Kit (aircraft canopy)

[NLIN-CC/20](#): 20' Pendant Mounting Kit (aircraft canopy)

[NLIN-JBC](#): Surface Mounting Kit (junction box cover, decorative end caps and mounting hardware)

[NLINSW-LENS/41](#): 41' Continuous Lens (field cuttable - special order)

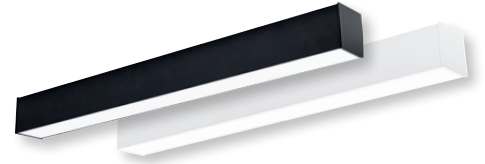
[NLINSW-LENS/82](#): 82' Continuous Lens (field cuttable - special order)

LABELS AND LISTINGS

- cULus Listed for Damp Location
- 5-Year Limited Warranty
- FCC Compliant



PRODUCT IMAGES & DIMENSIONS



NLIN-2 / NLIN-4 / NLIN-8
L-Line LED Linear



NLIN-X
X-Connector



NLIN-T
T-Connector



NLIN-L
L-Connector

L-Line LED Linear - Mounting kits are required

Linear Luminaires
NLIN-21030A = 2' (actual length: 24"), 3000K, Aluminum Finish
NLIN-21030B = 2' (actual length: 24"), 3000K, Black Finish
NLIN-21035A = 2' (actual length: 24"), 3500K, Aluminum Finish
NLIN-21035B = 2' (actual length: 24"), 3500K, Black Finish
NLIN-21040A = 2' (actual length: 24"), 4000K, Aluminum Finish
NLIN-41030A = 4' (actual length: 48"), 3000K, Aluminum Finish
NLIN-41030B = 4' (actual length: 48"), 3000K, Black Finish
NLIN-41035A = 4' (actual length: 48"), 3500K, Aluminum Finish
NLIN-41040A = 4' (actual length: 48"), 4000K, Aluminum Finish
NLIN-81030A/A = 8' (actual length: 92.375"), 3000K, Aluminum Finish
NLIN-81035A/A = 8' (actual length: 92.375"), 3500K, Aluminum Finish
NLIN-81035B/A = 8' (actual length: 92.375"), 3500K, Black Finish
NLIN-81040A/A = 8' (actual length: 92.375"), 4000K, Aluminum Finish

X, L & T Luminaires
NLIN-X1030A = X-Connector, 3000K, Aluminum Finish
NLIN-X1035A = X-Connector, 3500K, Aluminum Finish
NLIN-X1040A = X-Connector, 4000K, Aluminum Finish
NLIN-L1030A = L-Connector, 3000K, Aluminum Finish
NLIN-L1030B = L-Connector, 3000K, Black Finish
NLIN-L1035A = L-Connector, 3500K, Aluminum Finish
NLIN-L1035B = L-Connector, 3500K, Black Finish
NLIN-L1040A = L-Connector, 4000K, Aluminum Finish
NLIN-T1030A = T-Connector, 3000K, Aluminum Finish
NLIN-T1035A = T-Connector, 3500K, Aluminum Finish
NLIN-T1040A = T-Connector, 4000K, Aluminum Finish

Mounting Kits

Description
NLIN-PCCA = 8' Pendant & Power Mounting Kit, Aluminum Finish
NLIN-PCCB = 8' Pendant & Power Mounting Kit, Black Finish
NLIN-PCCA/20 = 20' Pendant & Power Mounting Kit, Aluminum Finish
NLIN-PCCB/20 = 20' Pendant & Power Mounting Kit, Black Finish
NLIN-CCA = 8' Aircraft Mounting Kit, Aluminum Finish
NLIN-CCB = 8' Aircraft Mounting Kit, Black Finish
NLIN-CCA/20 = 20' Aircraft Mounting Kit, Aluminum Finish
NLIN-CCB/20 = 20' Aircraft Mounting Kit, Black Finish
NLIN-JBCA = Surface Mount Kit, Aluminum End Caps
NLIN-JBCB = Surface Mount Kit, Black End Caps
NLIN-JBC-PLATE-B = Junction Box Cover Plate, Black Finish
NEPK-20LEDUNV = 20W Emergency Battery w/Remote Test Switch
NLINSW-LENS/41 = 41' Continuous Lens (field cuttable - special order)
NLINSW-LENS/82 = 82' Continuous Lens (field cuttable - special order)

Example: **NLIN-21030A** = 2' L-Line LED Linear, 1050lm/ft., 3000K, Aluminum finish

NLIN

L-Line LED Direct Linear Series

Source: 23W to 82W LED
2100lm to 8400lm

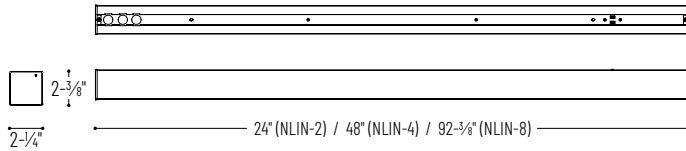
Type _____

Project _____

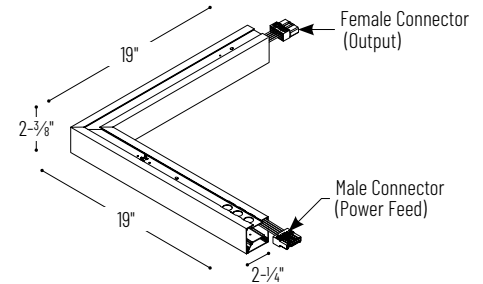
Catalog No. _____

Notes _____

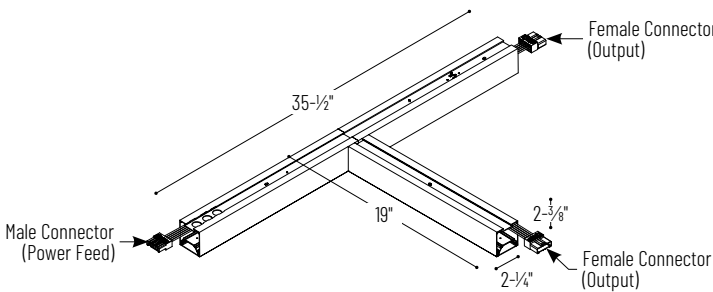
- NLIN-2** 2' Linear LED Luminaire
- NLIN-4** 4' Linear LED Luminaire
- NLIN-8** 8' Linear LED Luminaire



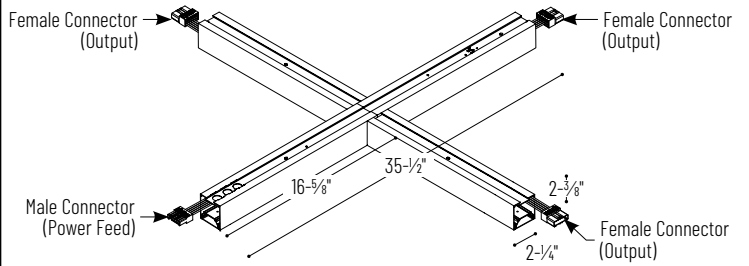
NLIN-L "L" Shaped LED Luminaire



NLIN-T "T" Shaped LED Luminaire



NLIN-X "X" Shaped LED Luminaire



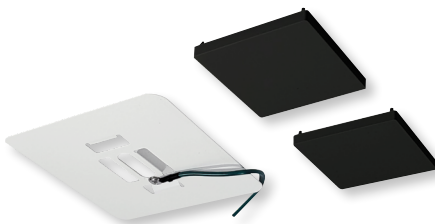
- NLIN-PCC** 8' Pendant Power & Aircraft Mounting Kit
 - NLIN-PCC/20** 20' Pendant Power & Aircraft Mounting Kit
- Includes (1) suspension point and (1) suspension + power cord + electrical connectors



- NLIN-CC** 8' Aircraft Mounting Kit
 - NLIN-CC/20** 20' Aircraft Mounting Kit
- Mounting point required on each end of luminaire.



- NLIN-JBCA** Surface Mount Kit with Aluminum End Caps
 - NLIN-JBCB** Surface Mount Kit with Black End Caps
- Includes power cord, end caps and white junction box cover plate.
Black cover plate ordered separately (NLIN-JBC-PLATE-B)



- NLIN-JBC-PLATE-B** Black Junction Box Cover Plate
- Replaces white cover plate included with NLIN-JBC. Power cord not included.



NLIN Sample Layout

L-Line LED Linear Series

Source: 23W to 82W LED

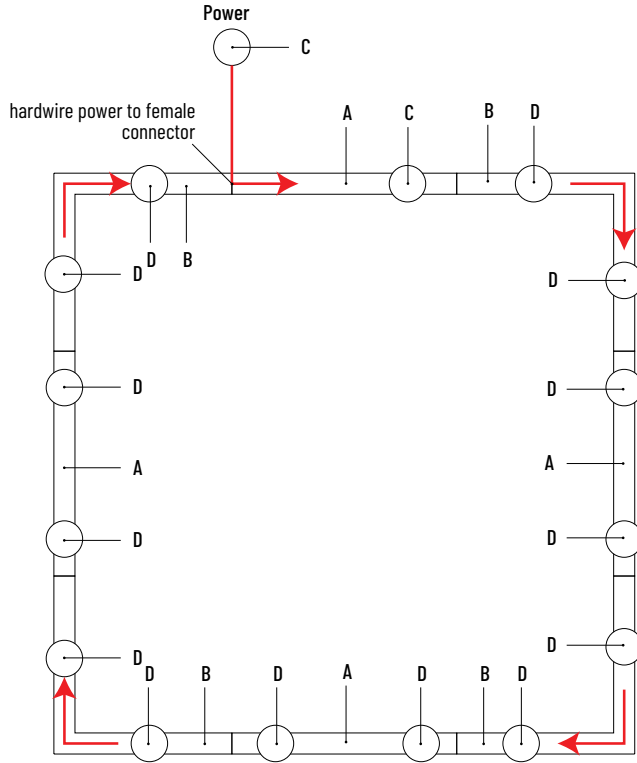
2100lm to 8400lm

Type _____

Project _____

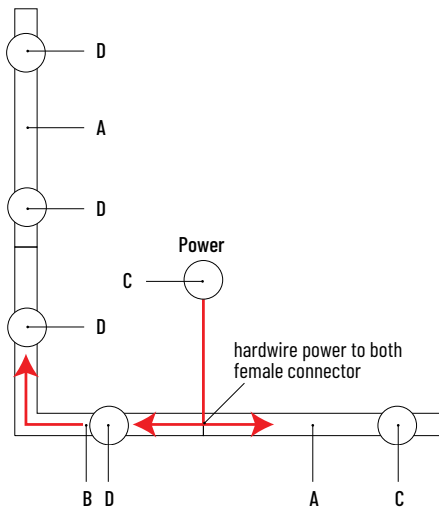
Catalog No. _____

Notes _____



	DESCRIPTION	ITEM #
A	L-Line LED Linear	NLIN-210 NLIN-410 NLIN-810
B	L-Connector	NLIN-L10
C	Power & Aircraft Kit	NLIN-PCC
D	Aircraft Kit	NLIN-CC

Maximum Run Length: 80'



PHOTOMETRICS

L-Line LED Linear Series

Type _____

Project _____

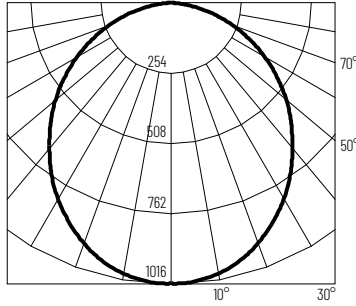
Catalog No. _____

Notes _____

Test Information

Test Number: 12284668.01
 Part Number: NLIN-21030A
 Lumens: 2637lm
 Wattage: 22W
 Efficacy: 120lpw
 CCT / CRI: 3000K / 80 CRI
 Spacing Criteria (0°-180): 1.2
 Spacing Criteria (90°-270): 1.2

Polar Curve



Zonal Lumen Summary

Zone	Lumens	% Luminaire
0-30	763	28.9
0-40	1227	46.5
0-60	2105	79.8
0-90	2637	100
90-180	0	0
0-180	2637	100

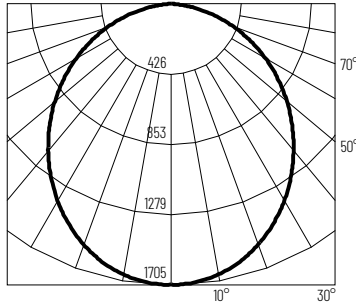
Candela Table

Vertical Angles	Candela
0	1010
5	997
15	949
25	860
35	742
45	607

Test Information

Test Number: 12284668.04
 Part Number: NLIN-41030A
 Lumens: 4453lm
 Wattage: 38W
 Efficacy: 118lpw
 CCT / CRI: 3000K / 80 CRI
 Spacing Criteria (0°-180): 1.2
 Spacing Criteria (90°-270): 1.2

Polar Curve



Zonal Lumen Summary

Zone	Lumens	% Luminaire
0-30	1286	28.9
0-40	2073	46.5
0-60	3562	80
0-90	4453	100
90-180	0	0
0-180	4453	100

Candela Table

Vertical Angles	Candela
0	1700
5	1681
15	1605
25	1460
35	1263
45	1033