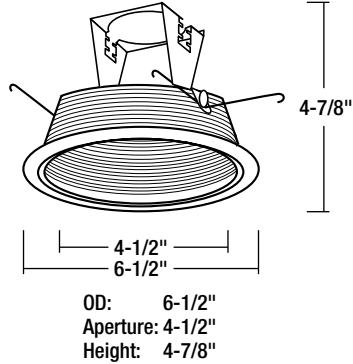


NT-5010
Stepped Baffle with Metal Ring and Bracket

Type
Project
Catalog No.
Lamp/Wattage

DIMENSIONS



FEATURES

Trim
 Precision spun 0.040 aluminum baffle insert with deep grooves to reduce aperture glare. Non-reflective painted finishes. Trim may also be used with custom combination of ring finishes. Bracket includes two socket positions for optimum light control and output.

Mounting
 Trim includes two "V" torsion springs to mount trim securely to housing. Replacement "V" torsion springs are available (NRA-86).

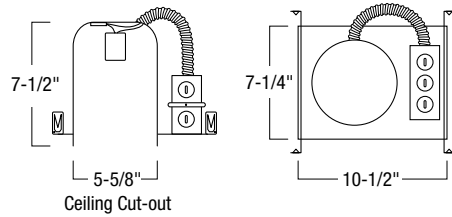
Compatible Housings
 Compatible with Line Voltage housings. See individual specification sheets for more information.

Lamp
Line Voltage
 50W BR30/PAR30 Maximum (NHIC-501QAT; NHRIC-504QAT)
 75W BR30/PAR30 Maximum (NH-501Q; NHR-504Q)

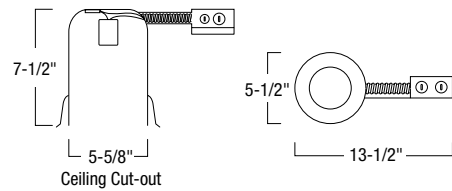
Labels and Listings
 cULus Listed for Damp Location when used with Compatible Housings

HOUSING DIMENSIONS

NH-501Q / NHIC-501QAT



NHR-504Q / NHRIC-504QAT



Stepped Baffle with Metal Ring and Bracket

- NT-5010B: Black Stepped Baffle with White Metal Ring and Bracket
- NT-5010BZ: Bronze Stepped Baffle with Bronze Metal Ring and Bracket
- NT-5010CO: Copper Stepped Baffle with Copper Metal Ring and Bracket
- NT-5010N: Natural Metal Stepped Baffle with Natural Metal Ring and Bracket
- NT-5010W: White Stepped Baffle with White Metal Ring and Bracket

Compatible Housings

LINE VOLTAGE			
Item Number	Installation Type	Lamp	Dimensions
NH-501Q	Non-IC New Construction	60W A19	W: 7-1/4" L: 10-1/2" H: 7-1/2"
NHIC-501QAT	IC Air-Tight New Construction	40W A19	W: 7-1/4" L: 10-1/2" H: 7-1/2"
NHR-504Q	Non-IC Remodel Housing	60W A19	W: 5-1/2" L: 13-1/2" H: 7-1/2"
NHRIC-504QAT	IC Air-Tight Remodel Housing	40W A19	W: 5-1/2" L: 13-1/2" H: 7-1/2"