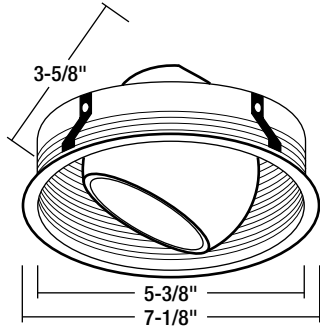


Type
Project
Catalog No.
Lamp/Wattage

# NTM-50 Stepped Baffle with Regressed Eyeball

## TRIM DIMENSIONS



Trim OD: 7-1/8"  
Aperture: 5-3/8"  
Eyeball Height: 3-5/8"

## FEATURES

**Trim**  
Precision spun 0.040 baffle with deep grooves to reduce aperture glare. Adjustable eyeball can be rotated 360° horizontally and 35° vertically. Trim may also be used with custom combination of ring finishes.

**Mounting**  
Trim includes three trim clips to mount trim securely to housing. Remove socket from socket plate within housing (if applicable), and mount socket on eyeball.

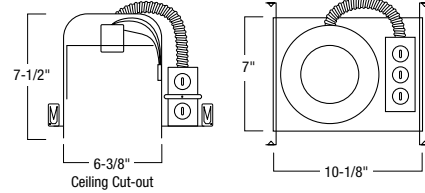
**Compatible Housings**  
Compatible with Line Voltage housings.  
See individual specification sheets for more information.

**Lamp**  
**Line Voltage**  
75W BR/PAR30 Maximum (NH-26Q; NH-26QNB; NH-27Q; NHIC-17/100DWQA; NHIC-17QAT, NHIC-17QNBAT; NHIC-27QAT; NHR-26Q; NHR-27Q; NHRIC-17QAT; NHRIC-17QNBAT; NHRIC-27QAT)

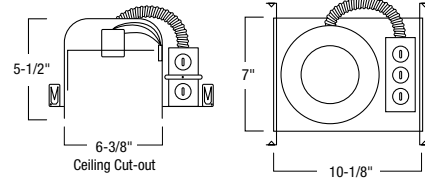
**Labels and Listings**  
cULus Listed for Damp Location when used with compatible housing.

## HOUSING DIMENSIONS

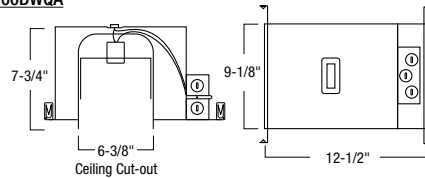
### NH-26Q / NH-26QNB / NHIC-17QAT / NHIC-17QNBAT



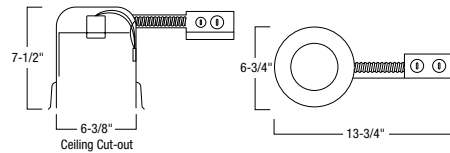
### NH-27Q / NHIC-27QAT



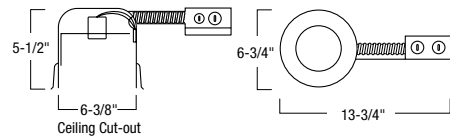
### NHIC-17/100DWQA



### NHR-26Q / NHRIC-17QAT / NHRIC-17QNBAT



### NHR-27Q / NHRIC-27QAT



## Compatible Housings

LINE VOLTAGE		
Item Number	Installation Type	Dimensions
NH-26Q	Non-IC New Construction	W: 7" L: 10-1/8" H: 7-1/2"
NH-26QNB	Non-IC New Construction - No Bracket	W: 7" L: 10-1/8" H: 7-1/2"
NH-27Q	Non-IC Shallow New Construction	W: 7" L: 10-1/8" H: 5-1/2"
NHIC-17/100DWQA	IC Double Wall Air-Tight New Construction	W: 9-1/8" L: 12-1/2" H: 7-3/4"
NHIC-17QAT	IC Air-Tight New Construction	W: 7" L: 10-1/8" H: 7-1/2"
NHIC-17QNBAT	IC Air-Tight New Const. - No Bracket	W: 7" L: 10-1/8" H: 7-1/2"
NHIC-27QAT	IC Air-Tight Shallow New Construction	W: 7" L: 10-1/8" H: 5-1/2"
NHR-26Q	Non-IC Remodel Housing	W: 6-3/4" L: 13-3/4" H: 7-1/2"
NHR-27Q	Non-IC Shallow Remodel Housing	W: 6-3/4" L: 13-3/4" H: 5-1/2"
NHRIC-17QAT	IC Air-Tight Remodel Housing	W: 6-3/4" L: 13-3/4" H: 7-1/2"
NHRIC-17QNBAT	IC Air-Tight Remodel - No Bracket	W: 6-3/4" L: 13-3/4" H: 7-1/2"
NHRIC-27QAT	IC Air-Tight Shallow Remodel Housing	W: 6-3/4" L: 13-3/4" H: 5-1/2"

## Stepped Baffle with Regressed Eyeball

**NTM-50C:** Black Stepped Baffle with Chrome Regressed Eyeball and White Plastic Ring

**NTM-50G:** Black Stepped Baffle with Gold Regressed Eyeball and White Plastic Ring