

# NTM-713

## 6" Air-Tight Deep Baffle with Flange

Type	
Project	
Catalog No.	
Notes	

### CONSTRUCTION

High quality steel baffle with flanged trim and deep grooves to reduce aperture glare.

### MOUNTING

Trim includes two "V" torsion springs to mount trim securely to housing. Replacement "V" torsion springs are available (NRA-86). Socket can be mounted directly to trim without bracket.

### COMPATIBLE LAMP / HOUSINGS

#### Line Voltage:

90W BR40/PAR38 max. (NFBIC-6INCATA; NHIC-17QAT; NHIC-17QNBAT; NHRIC-17QAT; NHRIC-17QNBAT)  
100W BR40/PAR38 max. (NHIC-17100DWQA)  
150W BR40/PAR38 max. (NH-26Q; NHR-26Q)

### LISTINGS

cULus Listed for Damp Locations when used with compatible housing



### PRODUCT IMAGES AND DIMENSIONS



NTM-713BAL



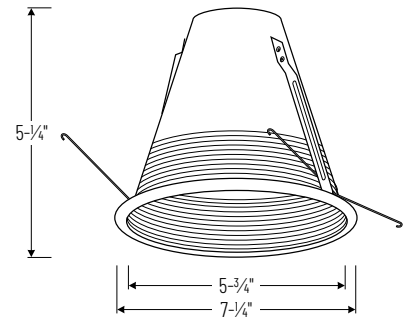
NTM-713BBAL



NTM-713BZ



NTM-713WAL



### 6" Air-Tight Deep Baffle

Catalog No.

- NTM-713BBAL = Black Baffle / Black Flange
- NTM-713BAL = Black Baffle / White Flange
- NTM-713BZ = Bronze Baffle / Bronze Flange
- NTM-713WAL = White Baffle / White Flange

### Compatible Housings

Catalog No.

- NH-26Q = Non-IC New Construction / 150W max.
- NHIC-17100DWQA = ICAT Double Wall New Construction / 100W max.
- NHIC-17QAT = ICAT New Construction / 90W max.
- NHIC-17QNBAT = ICAT New Construction; No bracket / 90W max.
- NHR-26Q = Non-IC Remodel / 150W max.
- NHRIC-17QAT = ICAT Remodel / 90W max.
- NHRIC-17QNBAT = ICAT Remodel; No bracket / 90W max.
- NFBIC-6INCATA = ICAT Fire Rated New Construction / 90W max.

Example: NTM-713WAL = 6" Air-Tight Deep White Baffle with White Flange