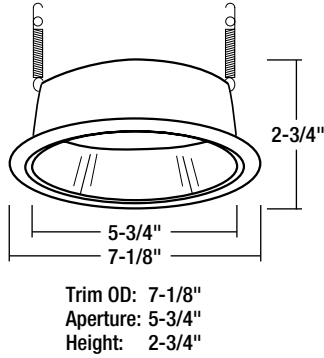


**NTS-40 / NTS-41 / NTS-42 / NTS-43
Reflector with Ring**

TRIM DIMENSIONS



FEATURES

Trim
Precision spun 0.050 aluminum high grade reflector. Separate trim ring available in plastic or metal, may also be used with custom combination of ring finishes.

Mounting
Trim includes two coil springs that clip and securely hold the trim into the housing when installed. Replacement coil springs are available (NRA-22).

Compatible Housings
Compatible with Line Voltage and Compact Fluorescent housings. See individual specification sheets for more information.

Lamp
Line Voltage
100W PAR38 Maximum (NHIC-17QAT; NHIC-17/100DWQA)
150W PAR38 Maximum (NH-26Q; NHR-26Q)

Compact Fluorescent
(1) 13W-42W Triple Tube (NHPH-113SEL; NHPH-118SEL; NHPH-2642SEL; NHRPH-113SEL; NHRPH-118SEL; NHRPH-2642SEL)
(2) 13W-26W Quad Tube (NHPH-213SEL; NHPH-218SEL; NHPH-226SEL; NHRPH-213SEL; NHRPH-218SEL; NHRPH-226SEL)

Labels and Listings
cULus Listed for Damp Location when used with compatible housing

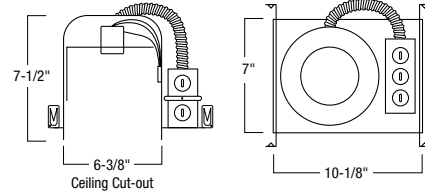
Reflector with Ring

- NTS-40: Specular Gold Reflector with White Plastic Ring
- NTS-40G: Specular Gold Reflector with Gold Plastic Ring
- NTS-41: Specular Clear Reflector with White Plastic Ring
- NTS-41C: Specular Clear Reflector with Chrome Plastic Ring
- NTS-41HZ: Haze Reflector with White Plastic Ring
- NTS-42: Specular Black Reflector with White Plastic Ring
- NTS-42B: Specular Black Reflector with Black Plastic Ring
- NTS-42CO: Specular Black Reflector with Copper Metal Ring
- NTS-42G: Specular Black Reflector with Gold Plastic Ring
- NTS-43: Specular White Reflector with White Plastic Ring

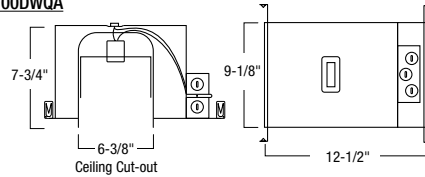
Type _____
Project _____
Catalog No. _____
Lamp/Wattage _____

HOUSING DIMENSIONS

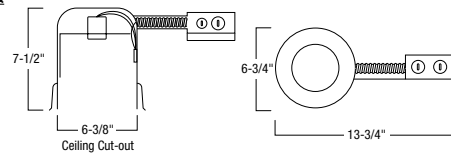
NH-26Q / NHIC-17QAT



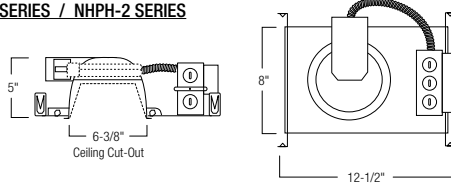
NHIC-17/100DWQA



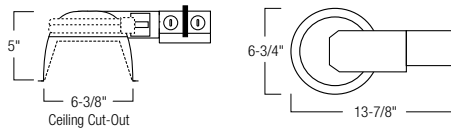
NHR-26Q



NHPH-1 SERIES / NHPH-2 SERIES



NHRPH-1 SERIES / NHRPH-2 SERIES



Compatible Housings

LINE VOLTAGE

Item Number	Installation Type	Lamp
NH-26Q	Non-IC New Construction	150W PAR38 Max.
NHIC-17QAT	IC Air-Tight New Construction	100W PAR38 Max.
NHIC-17/100DWQA	IC Double Wall Air-Tight New Construction	100W PAR38 Max.
NHR-26Q	Non-IC Remodel Housing	150W PAR38 Max.

COMPACT FLUORESCENT

NHPH-113SEL	Non-IC Shallow New Construction	(1) 13W Triple Tube
NHPH-118SEL	Non-IC Shallow New Construction	(1) 18W Triple Tube
NHPH-2642SEL	Non-IC Shallow New Construction	(1) 26W-42W Triple Tube
NHPH-213SEL	Non-IC Shallow New Construction	(2) 13W Quad Tube
NHPH-218SEL	Non-IC Shallow New Construction	(2) 18W Quad Tube
NHPH-226SEL	Non-IC Shallow New Construction	(2) 26W Quad Tube
NHRPH-113SEL	Non-IC Shallow Remodel	(1) 13W Triple Tube
NHRPH-118SEL	Non-IC Shallow Remodel	(1) 18W Triple Tube
NHRPH-2642SEL	Non-IC Shallow Remodel	(1) 26W-42W Triple Tube
NHRPH-213SEL	Non-IC Shallow Remodel	(2) 13W Quad Tube
NHRPH-218SEL	Non-IC Shallow Remodel	(2) 18W Quad Tube
NHRPH-226SEL	Non-IC Shallow Remodel	(2) 26W Quad Tube