

# Installation Instructions

## NIO-TLMR

### Iolite Trimless Mud Ring

**READ PRIOR TO ATTEMPTING INSTALLATION**  
**ALWAYS TURN OFF MAIN POWER BEFORE INSTALLATION**  
**INSTALLATION SHOULD BE CARRIED OUT BY YOUR LOCAL ELECTRICIAN**

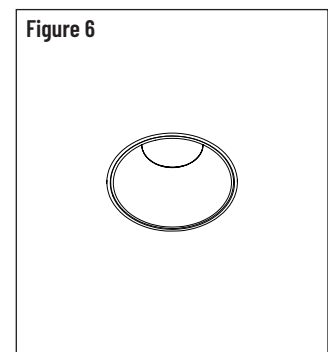
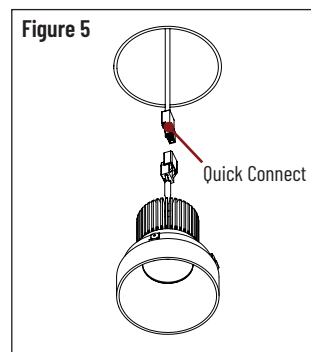
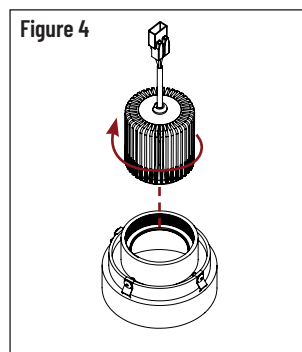
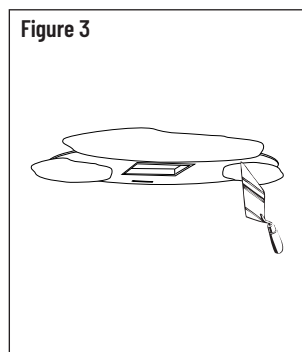
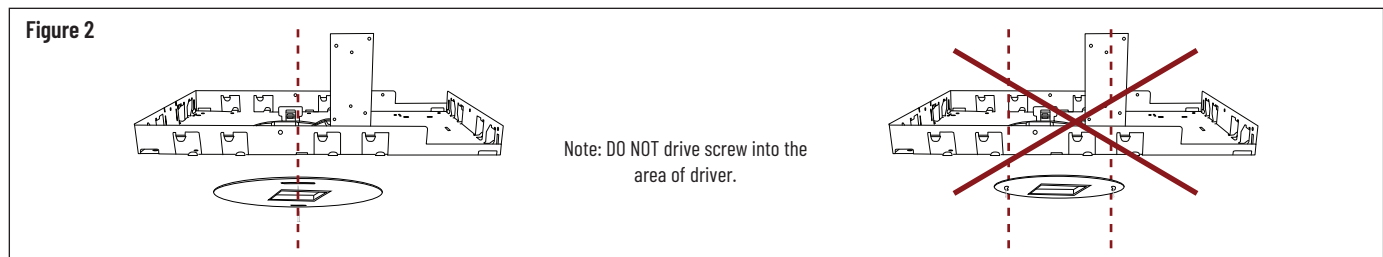
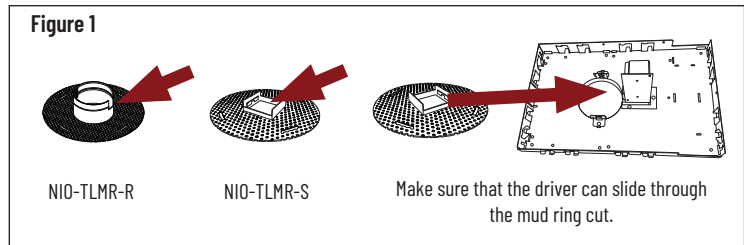
ITEM NO.	DESCRIPTION
NIO-TLMR-2R	2" Iolite Round Trimless Mud Ring
NIO-TLMR-4S	4" Iolite Square Trimless Mud Ring
NIO-TLMR-4R	4" Iolite Round Trimless Mud Ring

**⚠ IMPORTANT** - This equipment is intended to be installed only by qualified personnel. The installation must be made in accordance with the current edition of the National Electrical Code and all applicable state and local building codes. The final installation must be approved by the appropriate, qualified electrical/building inspector(s). Improper installation may result in a fire or electrical hazard. Be sure the electrical power to the circuit has been disconnected before installing this electrical system.

**⚠ IMPORTANT** - Cet équipement est destiné à être installé uniquement par du personnel qualifié. L'installation doit être faite conformément à l'édition actuelle du Code national de l'électricité et à tous les codes de construction locaux et nationaux applicables. L'installation finale doit être approuvée par un ou plusieurs inspecteurs qualifiés en électricité / bâtiment. Une installation incorrecte peut entraîner un incendie ou un risque électrique. Assurez-vous que l'alimentation électrique du circuit a été déconnectée avant d'installer ce système électrique.

### INSTALLATION INSTRUCTIONS

1. Locate the driver in the housing. Line up mud ring opening with driver. Make sure driver can slide out with ring in place. (Figure 1)
2. Attach mud ring to drywall with screws (not provided)  
**NOTE:** DO NOT drive screw into the area of driver. (Figure 2)
3. A professional drywall finisher should complete mud-in. (Figure 3)
4. Screw LED module to reflector by turning clockwise. (Figure 4)
5. Allow plaster to dry. Connect reflector's quick connect to driver's quick connect. (Figure 5)
6. Insert trimless reflector into mud ring, make sure it snaps flush. (Figure 6)



### REFLECTOR REMOVAL

1. Suction cup may be needed to remove trimless reflector. Contact [tech@noralighting.com](mailto:tech@noralighting.com) for NIO-TLSUCTION
2. Attach suction cup firmly to optics inside reflector.
3. Pull down on suction cup's key ring to release reflector from mud ring.
4. Disconnect quick connect cable to service reflector.

