

Installation Instructions

NUTP12-W16LEDCD

Comfort Dim LED Tape Roll

READ PRIOR TO ATTEMPTING INSTALLATION
ALWAYS TURN OFF MAIN POWER BEFORE INSTALLATION
INSTALLATION SHOULD BE CARRIED OUT BY YOUR LOCAL ELECTRICIAN

| ITEM NO. | DESCRIPTION | RATING |
|-----------------|-----------------------|--------|
| NUTP12-W16LEDCD | Comfort Dim Tape, 16' | 24V |

IMPORTANT: PLEASE READ BEFORE INSTALLATION

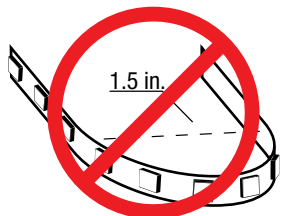
- Always turn off power prior to installation or replacement.
- Comfort Dim Tape Light contacts are very fragile, handle with care.
- Do not turn on Tape Light while on the spool, may cause the tape light to overheat and melt or ignite.
- Do not press directly on the LEDs themselves, as it may cause damage.
- Do not use the product in a potentially combustive environments.
- Do not cover this product as the covering may cause the tape light to overheat and melt or ignite.
- Do not operate with the tape light tightly coiled.
- Do not route the cord or tape light through walls, doors, windows or any like part of the building structure.
- Do not use if there is any damage to the light or cord insulation. Inspect periodically.
- Continuous Tape Series is cULus Listed for Damp Location.
- Secure the tape light using only the 3M™ tape, hangers, clips, or NATHR-680 Aluminum Channel (sold separately). Do not secure this product or its cord with staples, nails, or like means that may damage the insulation or permanently attach to the building structure.
- Wire leads and accessories are not rated for in-wall installation unless otherwise noted.
- Attached wire leads and connections are field-cuttable.
- Tape light, attached wire leads, and additional extension cables, connectors, etc., are not rated for in-wall installation unless otherwise noted.
- Do not install in environment where LED chips are exposed to direct sunlight as damage to the phosphor will occur.
- Do not install in environment where excessive heat may exist (ex. close proximity to the fireplace, etc.)
- See operating temperature on spec sheet.



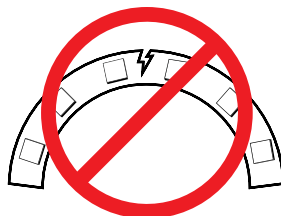
WARNING!

DO NOT CONNECT DIRECTLY TO HIGH VOLTAGE POWER!
Read all warnings and installation instructions thoroughly.

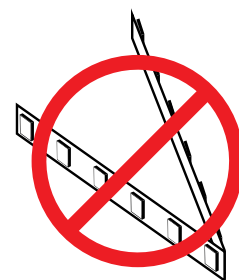
HANDLE LED TAPE LIGHT WITH CARE!



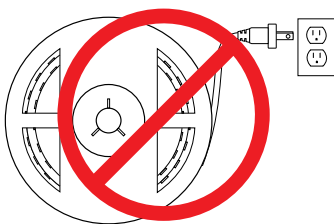
DO NOT BEND LED STRIP LIGHT
TO A DIAMETER LESS THAN 1.5 INCHES.



DO NOT BEND LED STRIP LIGHT
ON A HORIZONTAL PLANE



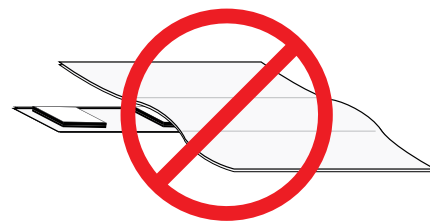
DO NOT FOLD, CREASE,
OR TWIST LED STRIP LIGHT.



DO NOT POWER STRIP LIGHT
WHILE ATTACHED TO SPOOL
OR TIGHTLY COILED.



DO NOT PUT EXCESSIVE PRESSURE
ON SURFACE OF TAPE LIGHT
(GLASS/ACRYLIC PLANES ETC.)



DO NOT COVER STRIP LIGHT
WITH ANY MATERIALS.

Installation Instructions

NUTP12-W16LEDCD

Comfort Dim LED Tape Roll

READ PRIOR TO ATTEMPTING INSTALLATION
ALWAYS TURN OFF MAIN POWER BEFORE INSTALLATION
INSTALLATION SHOULD BE CARRIED OUT BY YOUR LOCAL ELECTRICIAN

INSTALLATION INSTRUCTIONS:

1. Decide where you want to place the LED tape light.
2. The tape light has a 3M™ self-adhesive backing, ensure the surface area that you intend to adhere the tape light to is clean and dry. Simply remove the backing strip and carefully lay the tape light in place working from one end to the other ensuring there are no raised sections.
3. Using a lint-free cloth gently press between the LEDs on the tape to remove any air bubbles and activate the adhesive, make sure you do not press on the LEDs themselves as this could damage the joint.

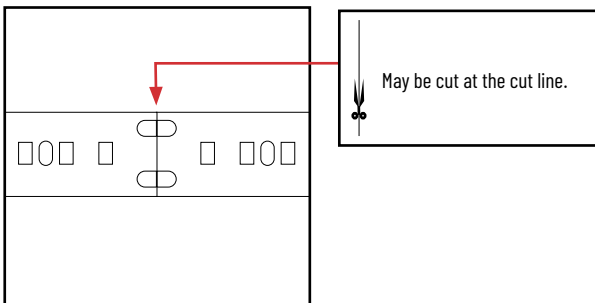
WIRING INSTRUCTIONS TO DRIVER:

1. Only use with Nora Class 2 24V power supply.
2. Driver may have a male plug and the LED Tape Light may have a the female connector. Plug male connector into female connector together. Some drivers will require connecting + and - wire together.
3. Only magnetic transformer with magnetic low voltage dimmer can perform Comfort Dim feature.

POLARITY: Comfort Dim Tape has + and - markings. These must be connected to + and - of the driver leads or another tape lead.

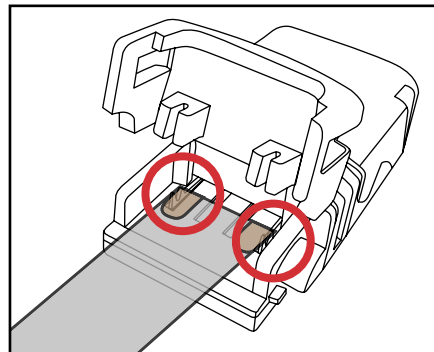
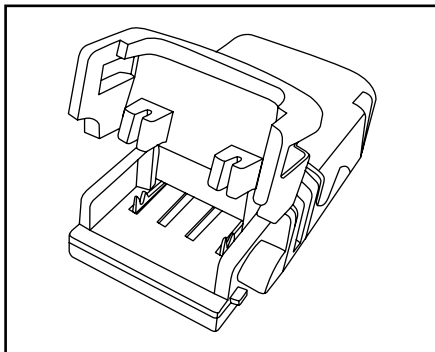
CUTTING INSTRUCTIONS:

1. The LED tape light may be cut every 3".
2. Carefully cut the tape light along the line, be careful not to press on the LEDs as this could damage the joint.



EXTENSION CONNECTOR INSTRUCTIONS:

1. Open the tape light extension and place the Comfort Dim tape light into extension.
2. Make sure tape light contacts are aligned to the extension's pins.
3. Close tape light extension.



LIST OF DRIVER'S THAT CAN BE USED WITH NUTP12 SERIES:

- Magnetic Driver NMT-48/24C2
- Magnetic Driver NMT-60/24C2
- Magnetic Driver NMT-96/24C2
- Magnetic Driver NMT-303/24C2