

# Installation Instructions

## NULS-LED

### NULS 120VAC Linkable LED Linear

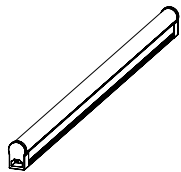
**READ PRIOR TO ATTEMPTING INSTALLATION**  
**ALWAYS TURN OFF MAIN POWER BEFORE INSTALLATION**  
**INSTALLATION SHOULD BE CARRIED OUT BY YOUR LOCAL ELECTRICIAN**

**⚠ IMPORTANT** - This equipment is intended to be installed only by qualified personnel. The installation must be made in accordance with the current edition to the National Electric Code and all applicable state and local building codes. The final installation must be approved by the appropriate qualified electrical/building inspector(s). Improper installation may result in a fire or electrical hazard. Be sure the electrical power to the circuit has been disconnected before installing this electrical system.

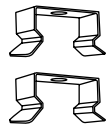
**⚠ IMPORTANT** - Cet équipement est destiné à être installé uniquement par du personnel qualifié. L'installation doit être faite en conformité avec l'édition actuelle du Code national de l'électricité et toutes étatiques et locales codes du bâtiment applicables. L'installation finale doit être approuvée par l'inspecteur en électricité / bâtiment qualifié approprié(s). Une mauvaise installation peut entraîner un incendie ou un risque électrique. Soyez sûr de la puissance électrique vers le circuit a été coupée avant l'installation de ce système électrique.



#### PACKAGING CONTENTS



NULS-LED



(2) Mounting Clips



(2) Screws



(1) Coupler

#### INSTALLATION INSTRUCTIONS

##### ⚠ TURN OFF MAIN POWER BEFORE INSTALLATION

Caution: Suitable for under-cabinet mount.

1. Verify the measurement to install the luminaire in the intended application. Measurements should include space for the power supply cord.
2. Secure the mounting clips by the screw provided. Install the mounting clips approximately 2" to 4" from the end of the luminaire. (Figure 1)
3. Snap luminaire into clips. (Figure 2)
4. Connect power cord into end of luminaire. (Figure 3)

Figure 1

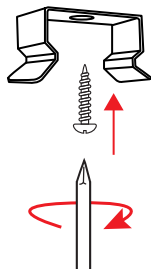


Figure 2

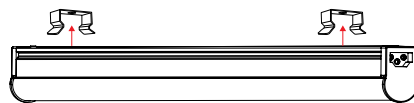


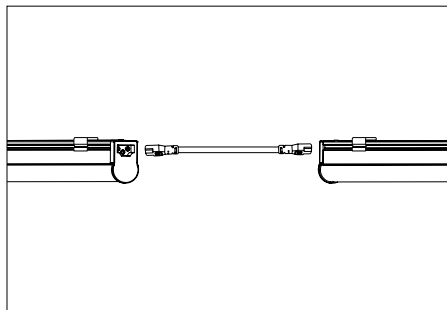
Figure 3



#### CONNECTING LUMINAIRES

##### ⚠ TURN OFF MAIN POWER BEFORE INSTALLATION

1. Use supplied jumper cable to daisy chain another luminaire. (Refer to spec sheet for recommended distances)
2. Optional accessories can be used to address most installation needs. (Refer to spec sheet for accessories)



ITEM #	MAX. # OF CONNECTION PER SIZE
NULS-LED11BC	30
NULS-LED21BC	15
NULS-LED33BC	10
NULS-LED45BC	8
Variable call out: B = CCT, C = Finish	
Maximum 120W run length	