

# NRS21-252

## 8' "S" Curve Nora Rail Kit with (4) New Mirage Fixture - LED Compatible

Source: 50W MR16 GU10

Type

Project

Catalog No.

Notes

### PRODUCT DESCRIPTION

Rail kit comes complete and ready to install with mounting hardware and fixtures. Components include: (2) 4' Pre-Bent inside bars (NRS90-R24-I), (1) 4' Pre-Bent outside bars (NRS90-R24-O), (2) 3" Standoff Supports (NRS90-N73), (1) Straight Rail Live Connector (NRS90-P81), (4) New Mirage Frosted Glass Fixtures (NRS11-252) with your choice of finish: Blue (BU), Frosted (FR), or Porcelain White (PW). 120V Rail system allows luminaires to be placed anywhere along the system where additional fixtures or components can be added at anytime. New Mirage GU10 MR16 die-cast aluminum luminaires includes a curved face in front of the light source for shielding. Small stem extending from rail connector, allowing full aiming and 358° rotation with a low profile.

### FEATURES

- Line Voltage
- No transformer to worry about
- Easily dimmed
- Kit can accommodate any fixtures, pendants and/or additional rails up to 2400 watts
- Fixtures, standoffs, and power stemcanopy are moveable and can be placed anywhere on the rail
- cULus listed

### SPECIFICATION

**Construction:** Main body constructed from one piece 0.07" die-cast aluminum.

**Stem:** 0.07" die-cast aluminum.

**Junction Box:** Prewired junction box includes quick connect to LED fixtures for ease of installation. Junction box includes two knockouts and snap on cover with 7" connector length.

**Mounting:** No housing is required, two tensions steel spring clips secure luminaire to ceiling. New construction frame-in kit is available, see accessories.

### ELECTRICAL

**Input Voltage:** 120V

**Socket:** GU10

**Lamp:** MR16 (not included)

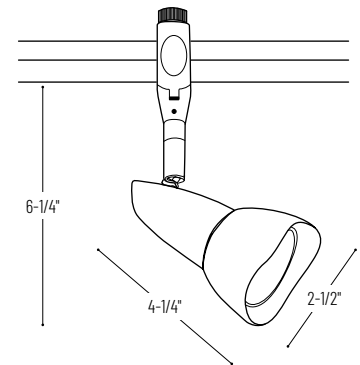
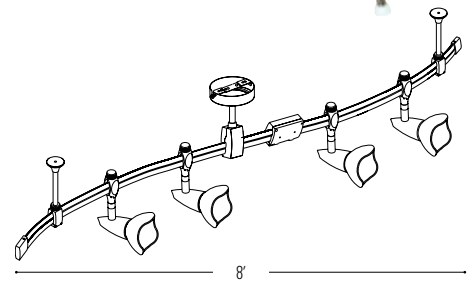
**Wattage:** 50W max (each)

### LABELS AND LISTINGS

cULus Listed for Damp Locations



### PRODUCT IMAGES AND DIMENSIONS



**NRS21-252BN**  
8' Mirage Rail Kit

### 8' "S" Curve New Mirage Fixture Rail Kit

Trim Type	Finish	Glass Option
NRS21-252 = 8' Mirage Rail Kit	BN = Brushed Nickel	BU = Blue
	BZ = Bronze	FR = Frosted
	S = Silver	PW = Porcelain White

Example: **NRS21-252BN** = 8' "S" Curve New Mirage Fixture Rail Kit, Brushed Nickel