

Installation Instructions

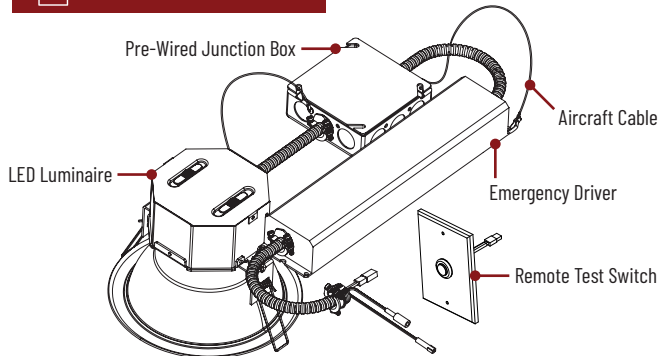
NQZ Series with Emergency

Quartz Tunable Wattage / Tunable White Reflectors

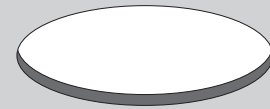
READ PRIOR TO ATTEMPTING INSTALLATION
ALWAYS TURN OFF MAIN POWER BEFORE INSTALLATION
INSTALLATION SHOULD BE CARRIED OUT BY YOUR LOCAL ELECTRICIAN

- ⚠ WARNING** - Risk of fire or electric shock. LED Retrofit Kit installation requires knowledge of luminaire electrical systems. If not qualified, do not attempt installation. Contact a qualified electrician.
 - ⚠ AVERTISSEMENT** - Risque d'incendie ou d'électrocution. L'installation du kit de rénovation LED nécessite la connaissance des systèmes électriques des luminaires. Si vous n'êtes pas qualifié, n'essayez pas installation. Contactez un électricien qualifié.
 - ⚠ WARNING** - Risk of fire or electric shock. Install this kit only in luminaires that have the construction features and dimensions shown in the photographs and / or drawings and where the input rating of the retrofit kit does not exceed the input rating of the luminaire.
 - ⚠ AVERTISSEMENT** - Risque d'incendie ou d'électrocution. Installez ce kit uniquement dans les luminaires qui ont les caractéristiques de construction et les dimensions indiquées sur les photos et / ou des dessins et où la puissance d'entrée du kit de mise à niveau ne dépasse pas la valeur d'entrée du luminaire.
 - ⚠ WARNING** - To prevent wiring damage or abrasion, do not expose wiring to edges of sheet metal or other sharp objects. DO NOT MAKE OR ALTER ANY OPEN HOLES IN AN ENCLOSURE OF WIRING OR ELECTRICAL COMPONENTS DURING KIT INSTALLATION.
 - ⚠ AVERTISSEMENT** - Pour éviter tout dommage ou abrasion du câblage, n'exposez pas le câblage aux bords de la tôle ou d'autres objets pointus. NE PAS FAIRE OU MODIFIER LES TROUS OUVERTS DANS UNE BOÎTE DE CÂBLAGE OU DE COMPOSANTS ÉLECTRIQUES PENDANT L'INSTALLATION DU KIT.
- THE RETROFIT KIT IS ACCEPTED AS A COMPONENT OF A LUMINAIRE WHERE THE SUITABILITY OF THE COMBINATION SHALL BE DETERMINED BY AUTHORITIES HAVING JURISDICTION. PRODUCT MUST BE INSTALLED BY A QUALIFIED ELECTRICIAN IN ACCORDANCE WITH THE APPLICABLE AND APPROPRIATE ELECTRICAL CODES. THE INSTALLATION GUIDE DOES NOT SUPERSEDE LOCAL OR NATIONAL REGULATIONS FOR ELECTRICAL INSTALLATIONS.**
- LE KIT DE RÉTROFIT EST ACCEPTÉ COMME COMPOSANT D'UN LUMINAIRE O L'ADÉQUATION DE LA COMBINAISON EST DÉTERMINÉE PAR LES AUTORITÉS AYANT JURIDICTION. LE PRODUIT DOIT ÊTRE INSTALLÉ PAR UN ÉLECTRICIEN QUALIFIÉ SELON L'APPLICABLE ET APPROPRIÉ CODES ÉLECTRIQUES. LE GUIDE D'INSTALLATION NE REMPLACE PAS LES RÉGLEMENTATIONS LOCALES OU NATIONALES POUR LES INSTALLATIONS ÉLECTRIQUES.**

PACKAGING CONTENTS

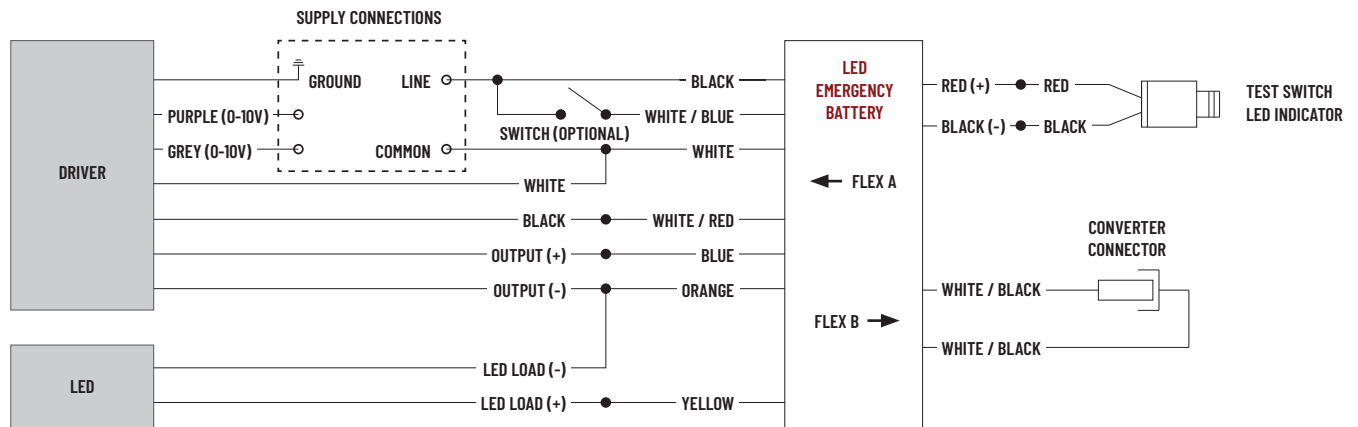


CEILING OPENING DIMENSIONS



NQZ-41TWTW	4-3/4" (120.5mm)
NQZ-61TWTW	6-1/4" (158.8mm)
NQZ-81TWTW	7-7/8" (199.6mm)

WIRING DIAGRAM



Installation Instructions

NQZ Series with Emergency

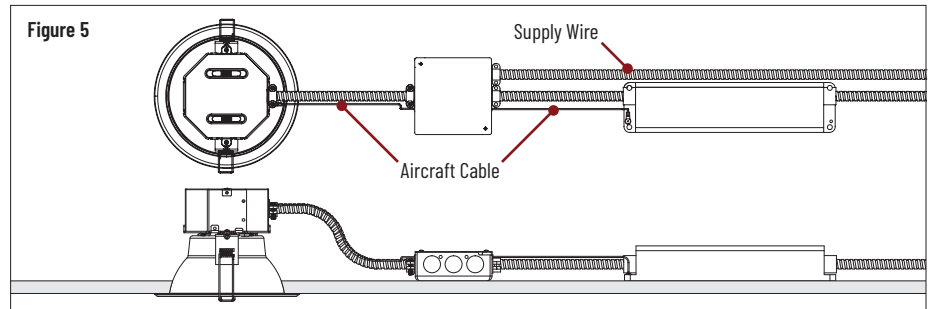
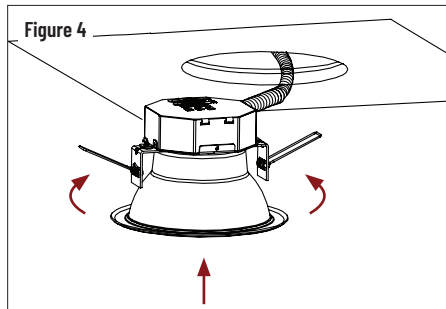
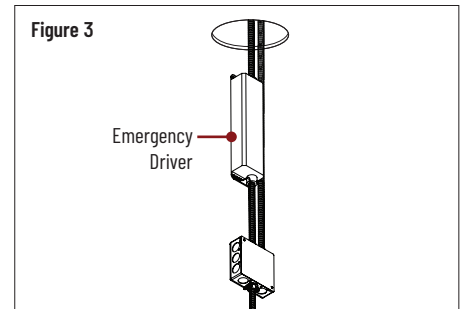
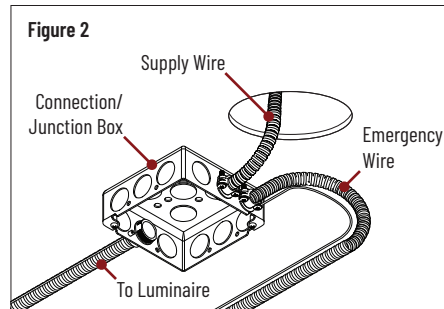
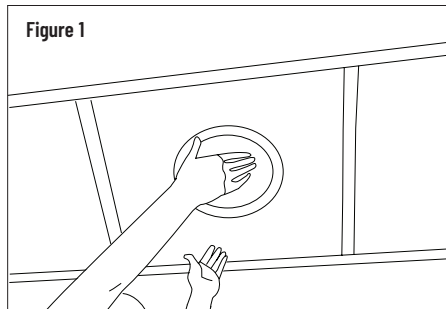
Quartz Tunable Wattage / Tunable White Reflectors

READ PRIOR TO ATTEMPTING INSTALLATION
ALWAYS TURN OFF MAIN POWER BEFORE INSTALLATION
INSTALLATION SHOULD BE CARRIED OUT BY YOUR LOCAL ELECTRICIAN

RETROFIT INSTALLATION

1. Turn off power before installation.
2. Remove existing luminaire. (Figure 1)
3. Locate the supply connections and disconnect the insulation detector (if applicable) but **DO NOT REMOVE** it. Cap off any unused wires and leave only the supply wires (line, neutral, ground and 0-10V dimming wires).
4. Open the connection/junction box (included) and connect the supply wires. (Figure 2)
5. Refer to "WIRING DIAGRAM" on page 1 to make the electrical connections and close the connection/junction box.
6. Insert the emergency driver (EM) and junction box through the ceiling opening and install the emergency test switch in a remote location. (Figure 3)
Note: Do not place the junction box and emergency driver on top of the luminaire. Ensure aircraft cables are secured at the junction box-to-EM and junction box-to-luminaire.
7. Push the spring clips on the luminaire up and insert through the ceiling opening. (Figure 4)
8. Installation is complete, turn on power.

Caution: If the luminaire does not turn on within five seconds, turn power off, carefully remove assembly and double check all wiring. (Figure 5)



Installation Instructions

NQZ Series with Emergency

Quartz Tunable Wattage / Tunable White Reflectors

READ PRIOR TO ATTEMPTING INSTALLATION
ALWAYS TURN OFF MAIN POWER BEFORE INSTALLATION
INSTALLATION SHOULD BE CARRIED OUT BY YOUR LOCAL ELECTRICIAN

NEW CONSTRUCTION INSTALLATION

1. Turn off power before installation.
2. Optional new construction frame-in available for new construction installations.
3. Refer to "CEILING OPENING DIMENSION" on page 1 to cut the ceiling opening and pull supply wire through opening. (Figure 1)
4. Open the connection/junction box (included) and connect the supply wires. (Figure 2)
5. Refer to "WIRING DIAGRAM" on page 1 to make the electrical connections and close the connection/junction box.
6. Insert the emergency driver (EM) and junction box through the ceiling opening and install the emergency test switch in a remote location. (Figure 3)
Note: Do not place the junction box and emergency driver on top of the luminaire. Ensure aircraft cables are secured at the junction box-to-EM and junction box-to-luminaire.
7. Push the spring clips on the luminaire up and insert through the ceiling opening. (Figure 4)
8. Installation is complete, turn on power.

Caution: If the luminaire does not turn on within five seconds, turn power off, carefully remove assembly and double check all wiring.

Figure 1

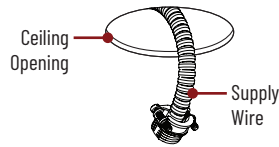


Figure 2

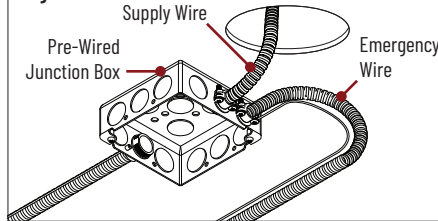


Figure 3

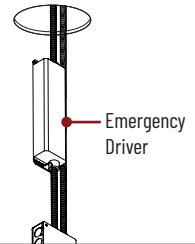


Figure 4 Optional new construction frame-in (ordered separately)

