

# NLOPAC-R7MS

7" AC Opal - Surface Mounted LED with PIR Motion Sensor

Source: 15W LED  
1050lm

Type \_\_\_\_\_

Project \_\_\_\_\_

Catalog No. \_\_\_\_\_

Notes \_\_\_\_\_

## PRODUCT DESCRIPTION

The AC Opal LED Series LED fixture is designed to surface mount over a standard junction box. The low profile luminaire produces even illumination and integral PIR sensor activates when motion is detected. After 3 minutes of no motion, the fixture automatically turns off.

## FEATURES

- Integral PIR Motion Sensor
- AC LED (No Driver)
- 3000K or 4000K @ 90+ CRI
- Mount on standard junction box
- Can be used with recessed housings when used with optional retrofit kit
- cETLus Listed for Wet Locations

## SPECIFICATION

**Construction:** One piece die-cast aluminum formed luminaire. Aluminum body dissipates heat and extends life. Polycarbonate lens with integrated PIR motion sensor.

**Mounting:** AC Opal (no driver) is flat on the back and suitable for installation on or over most standard junction boxes.

**PIR Motion Sensor:** PIR (passive infrared) motion sensor for easy on/off operation. The sensor activates when motion is detected. After 3 minutes of no motion, the fixture automatically turns off. PIR sensor can detect motion up to 16' diameter away (unobstructed) when mounted at 8'.

**Ratings:** IC rated when used with a electrical junction box rated for direct contact with insulation. Fire rated when used with a fire rated junction box.

## ELECTRICAL

**Input Voltage:** 120V

**Input Frequency:** 50/60Hz

**Lumens / Wattage:** 1050lm / 15W (0.5W stand by power)

**Color Temperature:** 3000K or 4000K

**Color Rendering Index:** 90+ CRI

**Operating temperature:** -20°C to 45°C

**Dimming:** Non-Dimmable

## RETROFIT KIT

**NLOPAC-56RECKIT-2:** Opal can be mounted in 5" or 6" recessed housings using optional torsion spring kit.



## LISTINGS

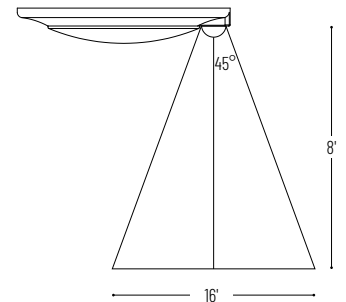
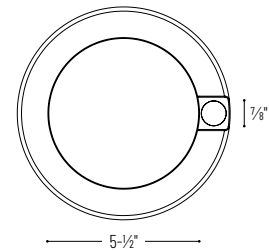
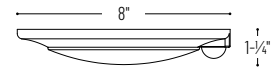
- cETLus Listed for wet locations
- 5-Year Limited Warranty
- Suitable for use in closets when installed in accordance to NEC Section 410.16 (A)(1) and 410.16 (C)(1).



## Performance Data

Part Number	Lumens	CCT
<b>NLOPAC-R7MS30W</b>	1044lm	3000K
<b>NLOPAC-R7MS40W</b>	1054lm	4000K

## PRODUCT IMAGES AND DIMENSIONS



Range of Motion Sensor  
(not to scale)

## 7" AC Opal with PIR Motion Sensor

Size / Lumens / Wattage	Color Temperature / CRI	Finish
<b>NLOPAC-R7MS</b> = 7" / 1050lm / 15W	<b>30</b> = 3000K / 90 CRI	<b>W</b> = White
	<b>40</b> = 4000K / 90 CRI	

## Optional Accessory

Description
<b>NLOPAC-56RECKIT</b> = Torsion Spring Kit / Recessed Retrofit Kit

Example: **NLOPAC-R7MS30W** = 7" AC Opal with PIR Motion Sensor, 1050lm / 15W, 3000K / 90 CRI, White finish

# PHOTOMETRICS

## 7" AC Opal - Surface Mounted LED with PIR Motion Sensor

Type \_\_\_\_\_

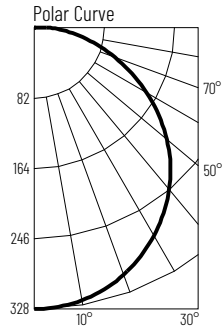
Project \_\_\_\_\_

Catalog No. \_\_\_\_\_

Notes \_\_\_\_\_

### Test Information

Test Number: NTR1189R1  
 Part Number: NLOPAC-R7MS30W  
 Lumens: 1044lm  
 Wattage: 14.5W  
 Efficacy: 72lpw  
 CCT / CRI: 3000K / 90 CRI  
 Spacing Criteria (0°-180): 1.28  
 Spacing Criteria (90°-270): 1.28



### Illuminance at a Distance

Distance from Luminaire	FC at Nadir	Beam Diameter
2'	81.9fc	6'-5"
4'	20.5fc	12'-11"
6'	9.1fc	19'-4"
8'	5.1fc	25'-10"
10'	3.3fc	32'-2"

### Zonal Lumen Summary

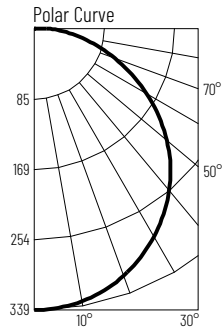
Zone	Lumens	% Luminaire
0-30	211	20.2
0-40	353	33.8
0-60	733	70.3
0-90	1011	96.9
90-180	33	3
0-180	1044	100

### Candela Table

Vertical Angles	Candela
0	328
5	326
15	315
25	294
35	264
45	226

### Test Information

Test Number: NTR1153R2  
 Part Number: NLOPAC-R7MS40W  
 Lumens: 1054lm  
 Wattage: 14.22W  
 Efficacy: 74lpw  
 CCT / CRI: 4000K / 90 CRI  
 Spacing Criteria (0°-180): 1.28  
 Spacing Criteria (90°-270): 1.28



### Illuminance at a Distance

Distance from Luminaire	FC at Nadir	Beam Diameter
2'	84.7fc	6'-4"
4'	21.2fc	12'-8"
6'	9.4fc	19'
8'	5.3fc	25'-5"
10'	3.4fc	31'-8"

### Zonal Lumen Summary

Zone	Lumens	% Luminaire
0-30	264	25.1
0-40	435	41.3
0-60	779	73.9
0-90	1031	97.8
90-180	23	2.2
0-180	1054	100

### Candela Table

Vertical Angles	Candela
0	339
5	338
15	326
25	304
35	273
45	233