

NQZ2-81TWTW-MPW

8" Quartz LED Downlight with Selectable Lumens & Selectable CCT

Source: 15W to 25W LED
1650lm to 2700lm

Type
Project
Catalog No.
Notes

PRODUCT DESCRIPTION

Quartz Series series is an architectural and commercial grade LED high lumen downlight. Each luminaire includes two tunable switches; Selectable Lumens allows the end user to determine the wattage input & Selectable CCT changes the color temperature appearance. Reflectors include two tension steel spring clips, which allow the luminaires to install without any frame-in or housing for an easy installation.

FEATURES

- Can-less installation (No frame-in or housing required)
- Easy installation for retrofit, remodel or new construction applications
- Selectable Lumen switch changes output from 1650lm to 2700lm
- Selectable CCT switch changes color temperature from 3000K / 3500K / 4000K
- Field changeable reflector allows for easy customization
- Shatter resistant lens
- 120-277V input and 0-10V dimming
- 5-year limited warranty
- ENERGY STAR certified
- cULus Listed for Wet Locations

SPECIFICATION

Reflector: Aluminum spun reflector with deep set diffused lens for excellent visual comfort while providing high lumen output. Each reflector comes standard with matte powder white finish, optional snap-in reflectors are available and field changeable.

Tunable Switches: Each luminaire includes two switches on the top of the driver enclosure. Selectable Lumen switch changes the lumen output and wattage. Selectable CCT switch changes the color temperature.

Clearance: "IC" Insulated ceiling housings are direct contact rated. Not to be used in direct contact with spray foam insulation.

Mounting: No housing is required, two tensions steel spring clips accommodate ceiling thickness from 1/2" to 1-1/2". New construction can be ordered separately (NQZ-8R-F). An oversize ring (NQZ-8OR-MPW) can be used to cover ceiling cut-outs up to 10".

ELECTRICAL

Input Voltage: 120-277V
Lumens / Wattage: Selectable Lumens: 1650lm / 15W, 2200lm / 20W and 2700lm / 25W (*Note: Preset to 25W*)
Beam Spread: 91° Wide Flood
Color Temperature: Selectable CCT: 3000K / 3500K / 4000K (*Note: Preset to 3000K*)
Color Rendering Index: 90+CRI
Operating Temperature: 0°C - 40°C
Lifetime: 72,000 hours @ L70
Dimming: Dimmable down to 10% with 0-10V dimmer [Click Here](#) or check complete dimmer list at www.NoraLighting.com in the "Compatibility" page under "Resources" tab

OPTIONAL ACCESSORIES

NQZ-8OR-MPW: 8" Oversize Ring, Matte Powder White
NQZ-8R-F: 8" Universal New Construction Frame-In
NQZ-81REFLC: 8" Specular Clear Snap-in Reflector Insert
NQZ-81REFLD: 8" Clear Diffused Snap-in Reflector Insert
NQZ-81REFLHZ: 8" Haze Snap-in Reflector Insert
NEPK-20LEDUNV: 20W Emergency LED Driver with Remote Test Switch

Emergency: Luminaire is compatible with [NEPK-20LEDUNV](#) (ordered separately). Battery operates luminaire at 20W for 90 minute emergency operation with a fully charged battery.

LABELS AND LISTINGS

- cETLus Listed for Wet Locations
- cETLus classified for retrofit installations
- ENERGY STAR certified
- [5-Year Limited Warranty](#)
- FCC compliant
- Certified to the high efficacy requirements of California Title 24 JA8-2022



Performance Data

CCT	15W	20W	25W
3000K	1593lm	2060lm	2422lm
3500K	1664lm	2202lm	2645lm
4000K	1575lm	2012lm	2447lm

Delivered lumens will vary depending on finish

PRODUCT IMAGES AND DIMENSIONS



8" Quartz LED Downlight with Selectable Lumens & Selectable CCT

Aperture	Lumens / Wattage / Color Temperature	Reflector / Flange Finish
NQZ2-81 = 8" Quartz	TWTW = 1650lm / 2200lm / 2700lm 3000K / 3500K / 4000K	-MPW = Matte Powder White

Optional Accessories

Description
NQZ-8OR-MPW = Oversize Ring, Matte Powder White
NQZ-8R-F = New Construction Frame-In with Collar
NQZ-81REFLC = Specular Clear Snap-in Reflector Insert
NQZ-81REFLD = Diffused Clear Snap-in Reflector Insert
NQZ-81REFLHZ = Haze Snap-in Reflector Insert
NEPK-20LEDUNV = 20W Emergency Battery w/Remote Test Switch

Example: **NQZ2-81TWTW-MPW** = 8" Quartz LED Downlight with Selectable Lumens & Selectable CCT, Matte Powder White

NQZ2-81WTW-MPW

8" Quartz LED Downlight Accessories

Type _____

Project _____

Catalog No. _____

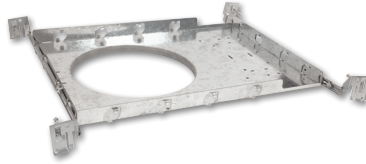
Notes _____



Oversize Ring

NQZ-80R-MPW

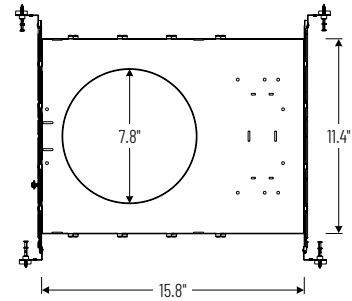
Oversize ring covers ceiling cut-outs up to 10"



New Construction Frame-In with Collar

NQZ-8R-F

For new construction pre-wiring and easier layout planning.



Specular Clear Reflector Insert

NQZ-81REFLC

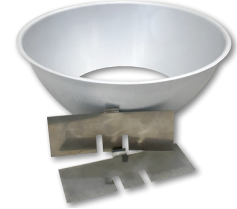
Snap-in reflector is field changeable and fits over 8" Quartz downlight.



Diffused Clear Reflector Insert

NQZ-81REFLD

Snap-in reflector is field changeable and fits over 8" Quartz downlight.



Haze Reflector Insert

NQZ-81REFLHZ

Snap-in reflector is field changeable and fits over 8" Quartz downlight.



20W Emergency Battery with Remote Test Switch

NEPK-20LEDUNV

120-277V 20W emergency battery operates luminaire for 90 minute emergency operation with a fully charged battery. Requires 24 hours to for full charge.

PHOTOMETRICS

8" Quartz LED Downlight with Selectable Lumens & Selectable CCT

Type

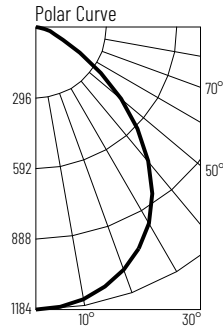
Project

Catalog No.

Notes

Test Information

Test Number: NTR1967R2
 Part Number: NQZ2-81TWTW-MPW
 Beam Spread: 91° Wide Flood
 Lumens: 2422lm
 Wattage: 25.5W
 Efficacy: 95lpw
 CCT / CRI: 3000K / 90 CRI
 Spacing Criteria (0°-180°): 1.2
 Spacing Criteria (90°-270°): 1.2



Illuminance at a Distance

Distance from Luminaire	FC at Nadir	Beam Diameter
10'	11.8fc	20'-5"
12'	8.2fc	24'-6"
14'	6fc	28'-5"
16'	4.6fc	32'-6"
18'	3.7fc	36'-8"

Zonal Lumen Summary

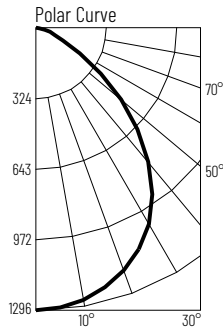
Zone	Lumens	% Luminaire
0-30	747	30.8
0-40	1219	50.3
0-60	2165	89.4
0-90	2422	100
90-180	0	0
0-180	2422	100

Candela Table

Vertical Angles	Candela
0	1184
5	1178
15	1127
25	1026
35	855
45	607

Test Information

Test Number: NTR1968R2
 Part Number: NQZ2-81TWTW-MPW
 Beam Spread: 91° Wide Flood
 Lumens: 2645lm
 Wattage: 24.34W
 Efficacy: 109lpw
 CCT / CRI: 3500K / 90 CRI
 Spacing Criteria (0°-180°): 1.2
 Spacing Criteria (90°-270°): 1.2



Illuminance at a Distance

Distance from Luminaire	FC at Nadir	Beam Diameter
10'	13fc	20'-4"
12'	9fc	24'-4"
14'	6.6fc	28'-5"
16'	5.1fc	32'-6"
18'	4fc	36'-6"

Zonal Lumen Summary

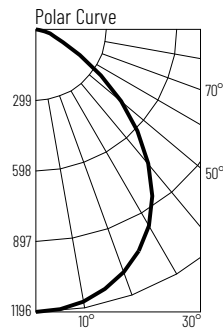
Zone	Lumens	% Luminaire
0-30	983	37.2
0-40	1563	59.1
0-60	2398	90.7
0-90	2645	100
90-180	0	0
0-180	2645	100

Candela Table

Vertical Angles	Candela
0	1296
5	1288
15	1233
25	1122
35	934
45	660

Test Information

Test Number: NTR1969R2
 Part Number: NQZ2-81TWTW-MPW
 Beam Spread: 91° Wide Flood
 Lumens: 2447lm
 Wattage: 25.02W
 Efficacy: 98lpw
 CCT / CRI: 4000K / 90 CRI
 Spacing Criteria (0°-180°): 1.2
 Spacing Criteria (90°-270°): 1.2



Illuminance at a Distance

Distance from Luminaire	FC at Nadir	Beam Diameter
10'	12fc	20'-4"
12'	8.3fc	24'-4"
14'	6.1fc	28'-5"
16'	4.7fc	32'-5"
18'	3.7fc	36'-6"

Zonal Lumen Summary

Zone	Lumens	% Luminaire
0-30	908	37.1
0-40	1443	59
0-60	2216	90.6
0-90	2447	100
90-180	0	0
0-180	2447	100

Candela Table

Vertical Angles	Candela
0	1196
5	1190
15	1140
25	1038
35	865
45	608

Lumen Output Multipliers

Wattage: 15W (0.64), 20W (0.84)