

Installation Instructions

NPDBL Series

LED Backlit Panels with Field Selectable Color Temperature

READ PRIOR TO ATTEMPTING INSTALLATION
ALWAYS TURN OFF MAIN POWER BEFORE INSTALLATION
INSTALLATION SHOULD BE CARRIED OUT BY YOUR LOCAL ELECTRICIAN

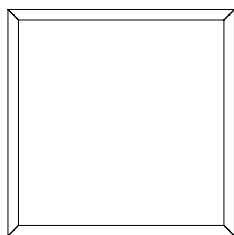
ITEM NO.	DESCRIPTION
NPDBL-E14/334W	1' x 4' LED Backlit Panel Light
NPDBL-E22/334W	2' x 2' LED Backlit Panel Light
NPDBL-E24/334W	2' x 4' LED Backlit Panel Light

⚠ IMPORTANT - This equipment is intended to be installed only by qualified personnel. The installation must be made in accordance with the current edition of the National Electrical Code and all applicable state and local building codes. The final installation must be approved by the appropriate, qualified electrical/building inspector(s). Improper installation may result in a fire or electrical hazard. Be sure the electrical power to the circuit has been disconnected before installing this electrical system.

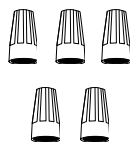
⚠ IMPORTANT - Cet équipement est destiné à être installé uniquement par du personnel qualifié. L'installation doit être faite conformément à l'édition actuelle du Code national de l'électricité et à tous les codes de construction locaux et nationaux applicables. L'installation finale doit être approuvée par un ou plusieurs inspecteurs qualifiés en électricité / bâtiment. Une installation incorrecte peut entraîner un incendie ou un risque électrique. Assurez-vous que l'alimentation électrique du circuit a été déconnectée avant d'installer ce système électrique.



PACKAGING CONTENTS



LED Backlit Panel

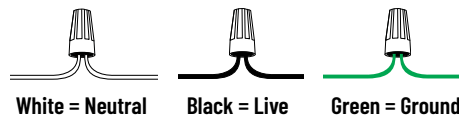


5 pcs. Orange wire nut

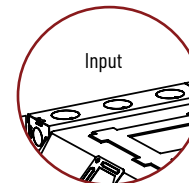
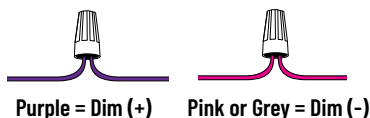
ELECTRICAL CONNECTIONS

1. Remove knockout plates.
2. Remove round knockout and connect conduit or Romex to wiring box with proper connectors. Follow wire diagram below.
3. Universal voltage driver permits operation at 120V thru 347V, 50 or 60Hz. 0-10V dimming wires must be rated for 300V minimum.

120-347V CONNECTION:

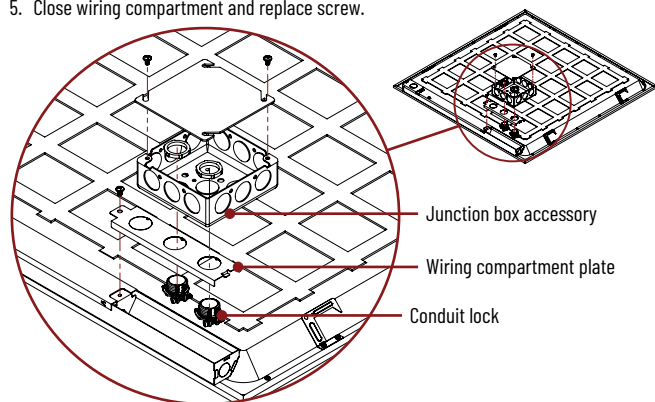


0-10V DIMMING CONNECTION:



DAISY CHAIN JUNCTION BOX INSTALLATION

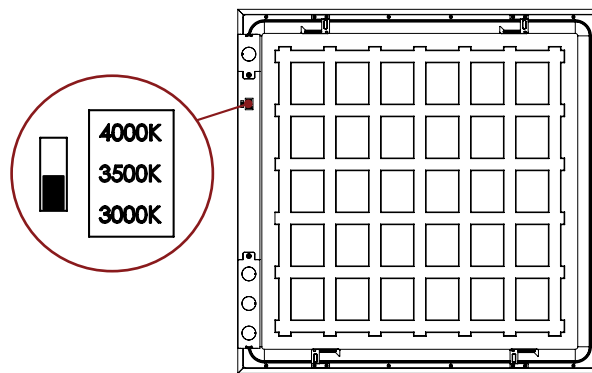
1. Turn all power off before installation.
2. Unscrew panel's wiring compartment plate cover and remove two knockouts.
3. Attach wiring compartment plate to junction box accessory (NPDBL-JB4X4 - ordered separately) using conduit lock (included).
4. Pull panel's wiring through compartment plate and make branch circuit connections (4in-4out) and follow "Electrical Connections"
5. Close wiring compartment and replace screw.



CHANGING COLOR TEMPERATURE

Note: LED Backlit Panels are preset at 3000K

1. Before installing panel, set the luminaire to the desired color temperature.
2. Color temperature switch is located on the back of the luminaire.
3. Slide switch to the desired color temperature.



Installation Instructions

NPDBL Series

LED Backlit Panels with Field Selectable Color Temperature

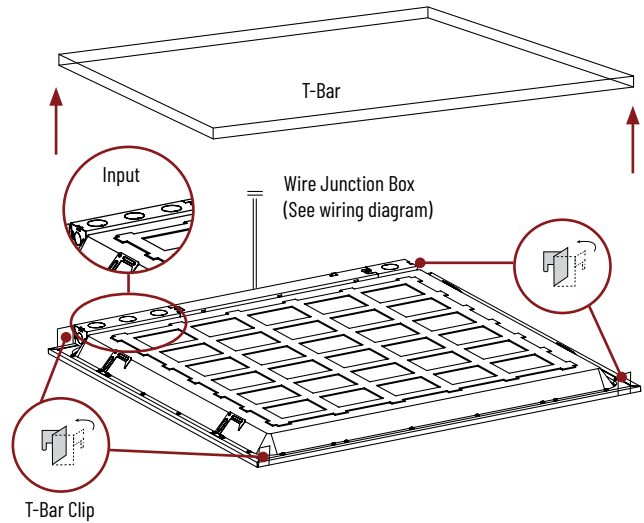
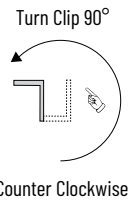
READ PRIOR TO ATTEMPTING INSTALLATION
ALWAYS TURN OFF MAIN POWER BEFORE INSTALLATION
INSTALLATION SHOULD BE CARRIED OUT BY YOUR LOCAL ELECTRICIAN

SUSPENDED CEILING (T-BAR) INSTALLATION

1. Turn all power off before installation.
2. Remove desired knockout and connect panel's wires to input.
(Please refer to the "ELECTRICAL CONNECTIONS" on Page 1)
3. Insert LED panel into T-Bar grid, face down.
4. Align Panel with edge of T-Bar. Turn clip 90° counter clockwise to secure panel.

(CLIP HAS HOLE FOR WIRE OR CABLE SUPPORT REQUIRED BY SOME LOCAL CODES.)

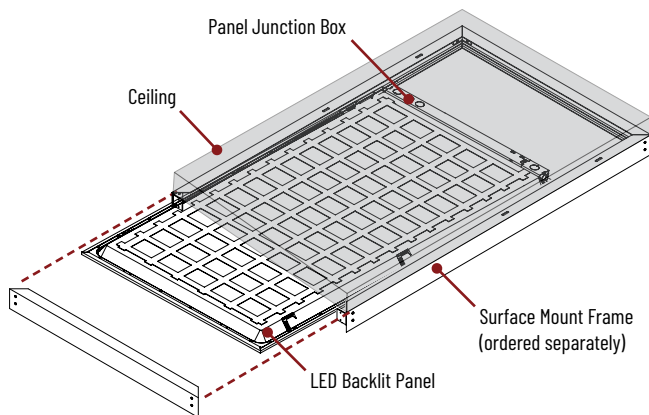
ALIGNMENT ATTENTION: CEILING JUNCTION BOX OR CONDUIT SHOULD BE LOCATED NEAR THE PANEL JUNCTION BOX, NOT CENTER OF THE SURFACE FRAME



SURFACE MOUNT INSTALLATION

1. Turn all power off before installation.
2. Assemble three pieces of surface mount frame (NPD-xxDFK/W - ordered separately).
3. Install three connected pieces on the ceiling
(Note: Junction box or conduit should be located near the panel's junction box, not the center of the surface mount frame)
4. Remove desired knockout and connect panel's wires to input.
(Please refer to the "ELECTRICAL CONNECTIONS" on Page 1)
5. Insert the panel into the three connected pieces.
6. Attach the fourth piece to complete the surface mount frame.

REQUIRES: NPD-xxDFK/W or NPD-xxDDFK/W (Ordered Separately)

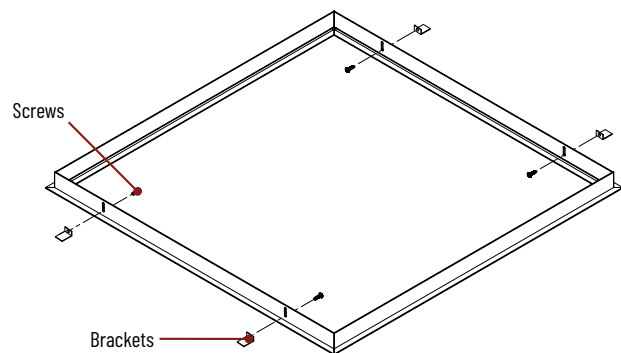


RECESSED INSTALLATION

1. Turn the power off before installation and cut out ceiling accordingly (Refer to chart).
2. Insert recessed mounting kit into opening and secure with brackets and screws.
3. Remove desired knockout and connect panel's wires to input.
(Please refer to the "ELECTRICAL CONNECTIONS" on Page 1)
4. Insert LED panel into frame kit, face down.

Cut-out dimension	
NPDBL-E14	12.62" x 48.37"
NPDBL-E24	24.37" x 48.37"
NPDBL-E22	24.37" x 24.37"

REQUIRES: NPDBL-xxRFK/W (Ordered Separately)



Installation Instructions

NPDBL Series

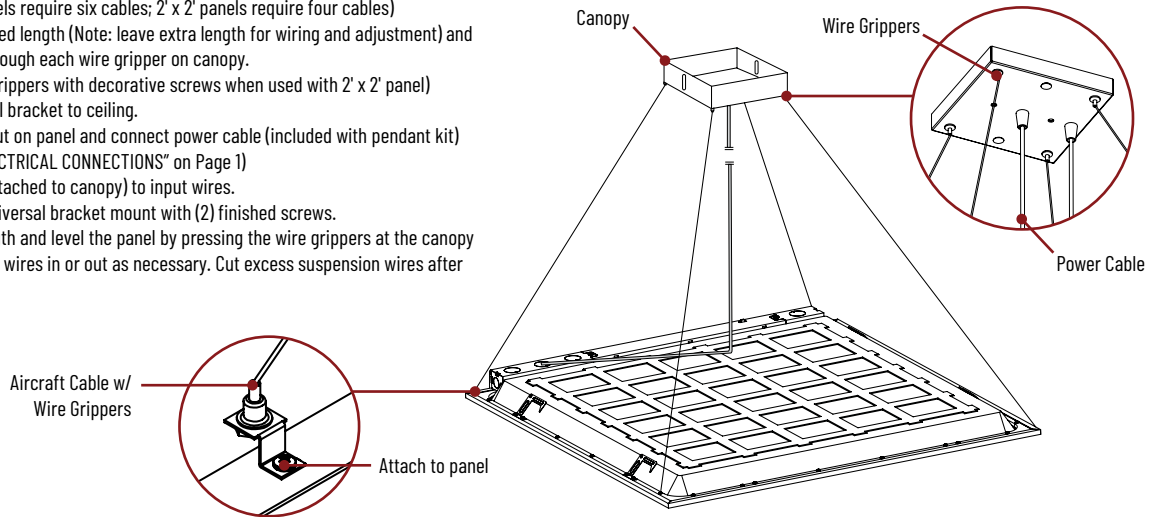
LED Backlit Panels with Field Selectable Color Temperature

READ PRIOR TO ATTEMPTING INSTALLATION
ALWAYS TURN OFF MAIN POWER BEFORE INSTALLATION
INSTALLATION SHOULD BE CARRIED OUT BY YOUR LOCAL ELECTRICIAN

PENDANT MOUNT INSTALLATION

1. Turn all power off before installation.
2. Attach the aircraft cables to the panel with screws (included).
(Note: 1' x 4' & 2' x 4' panels require six cables; 2' x 2' panels require four cables)
3. Cut power cable to desired length (Note: leave extra length for wiring and adjustment) and insert aircraft cables through each wire gripper on canopy.
(Note: Replace (2) wire grippers with decorative screws when used with 2' x 2' panel)
4. Mount canopy's universal bracket to ceiling.
5. Remove desired knockout on panel and connect power cable (included with pendant kit)
(Please refer to the "ELECTRICAL CONNECTIONS" on Page 1)
6. Connect power cable (attached to canopy) to input wires.
7. Secure canopy to the universal bracket mount with (2) finished screws.
8. Adjust the desirable length and level the panel by pressing the wire grippers at the canopy and feed the suspension wires in or out as necessary. Cut excess suspension wires after final adjustment.

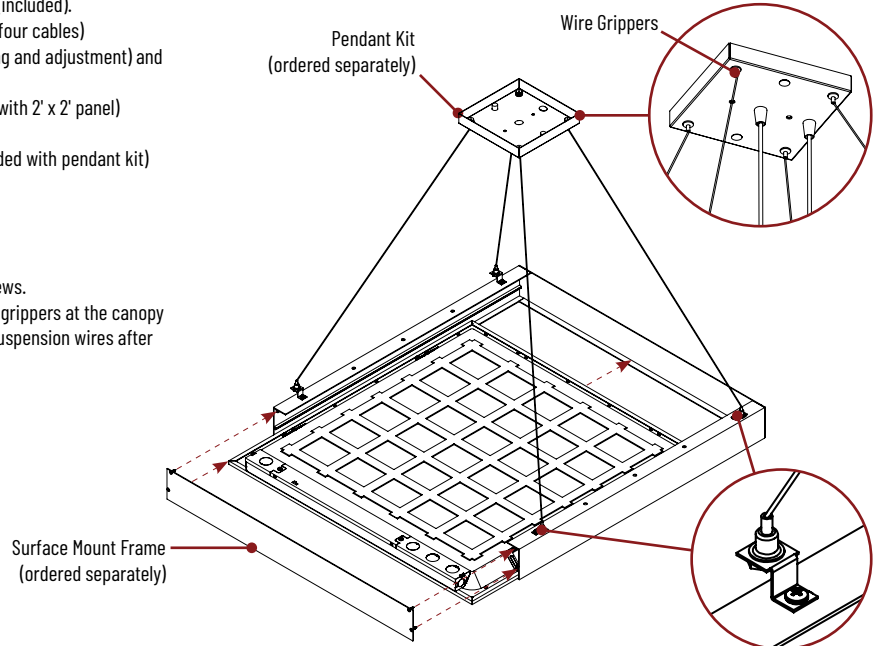
REQUIRES: NPDBL-PKW (Ordered Separately)



PENDANT MOUNT WITH SURFACE MOUNT FRAME INSTALLATION

1. Turn all power off before installation.
2. Assemble three pieces of surface mount frame.
3. Attach the aircraft cables to the surface mount frame with screws (included).
(Note: 1' x 4' & 2' x 4' panels require six cables; 2' x 2' panels require four cables)
4. Cut power cable to desired length (Note: leave extra length for wiring and adjustment) and insert aircraft cables through each wire gripper on canopy.
(Note: Replace (2) wire grippers with decorative screws when used with 2' x 2' panel)
5. Mount canopy's universal bracket to ceiling.
6. Remove desired knockout on panel and connect power cable (included with pendant kit)
(Please refer to the "ELECTRICAL CONNECTIONS" on Page 1)
7. Insert panel into three connected pieces of surface mount frame.
8. Attach the fourth piece to complete the surface mount frame.
9. Connect power cable (attached to canopy) to input wires.
10. Secure canopy to the universal bracket mount with (2) finished screws.
11. Adjust the desirable length and level the panel by pressing the wire grippers at the canopy and feed the suspension wires in or out as necessary. Cut excess suspension wires after final adjustment.

REQUIRES: NPDBL-PKW (Ordered Separately)
NPD-xxDFK/W or NPD-xxDDFK/W (Ordered Separately)



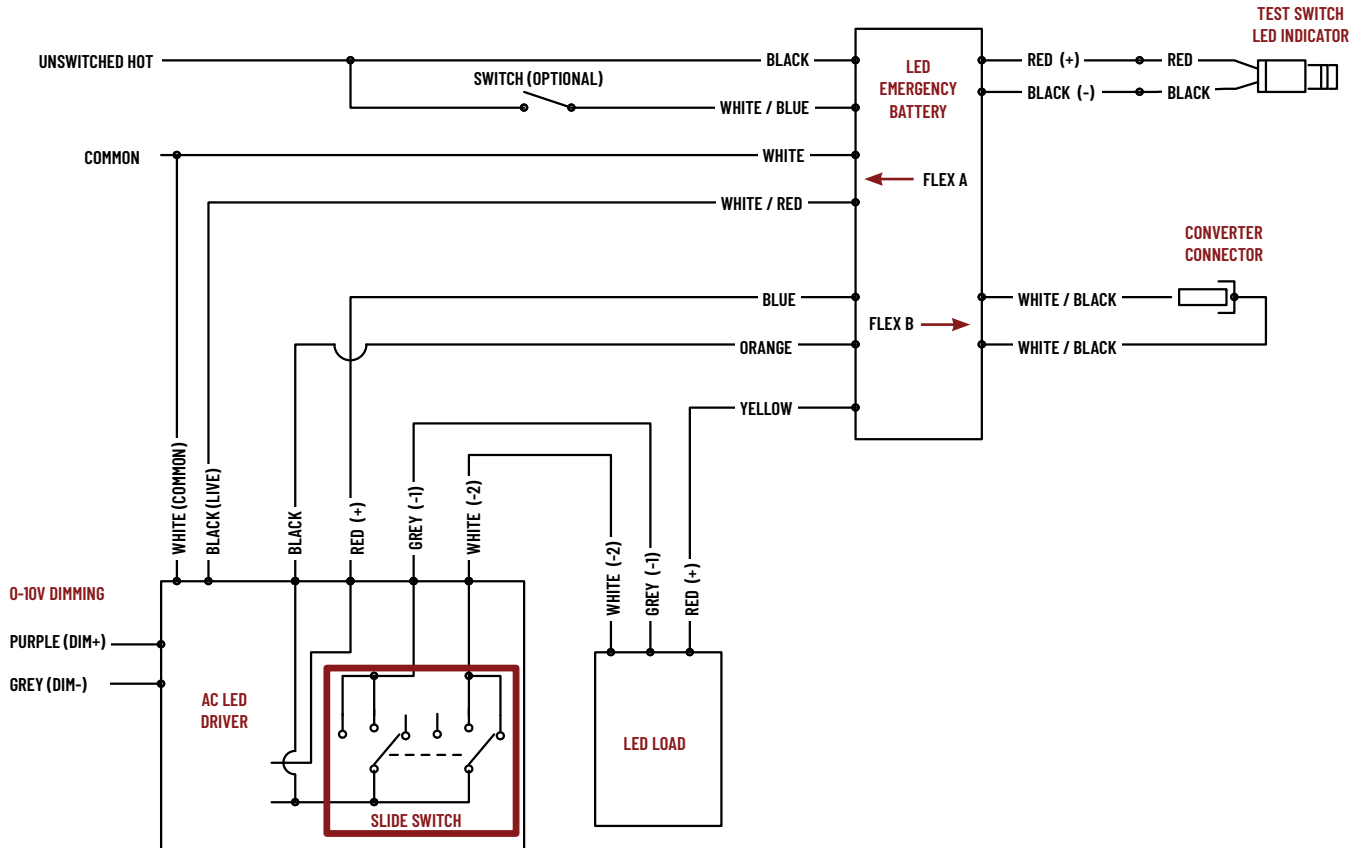
Installation Instructions

NPDBL Series

LED Backlit Panels with Field Selectable Color Temperature

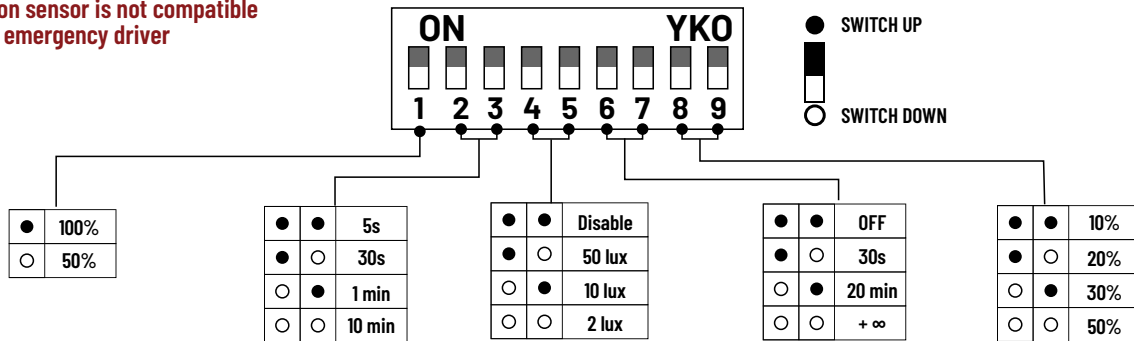
READ PRIOR TO ATTEMPTING INSTALLATION
ALWAYS TURN OFF MAIN POWER BEFORE INSTALLATION
INSTALLATION SHOULD BE CARRIED OUT BY YOUR LOCAL ELECTRICIAN

REMOTE EMERGENCY CONNECTION (NEPK-07LEDUNV)



MOTION SENSOR SETTING

NOTE: Motion sensor is not compatible with emergency driver



SENSITIVITY LEVEL

Motion detection range sensitivity

HOLD-TIME

Length of time luminaire stays on after not detecting any motion

DAYLIGHT THRESHOLD

Daylight sensor threshold value setting. When it's set as "Disable" the sensor works every time it detects motion regardless of the ambient brightness.

STAND-BY TIME

Length of time luminaire stays at stand-by dimming level before turning off. when it's set as "∞", the light is always kept at low output if no movement is detected and doesn't turn off.

STAND-BY DIMMING LEVEL

Brightness level of luminaire during stand-by time