

Installation Instructions

NYLD2-6P

6" Stem Mounted Cobalt Cylinder

READ PRIOR TO ATTEMPTING INSTALLATION
ALWAYS TURN OFF MAIN POWER BEFORE INSTALLATION
INSTALLATION SHOULD BE CARRIED OUT BY YOUR LOCAL ELECTRICIAN

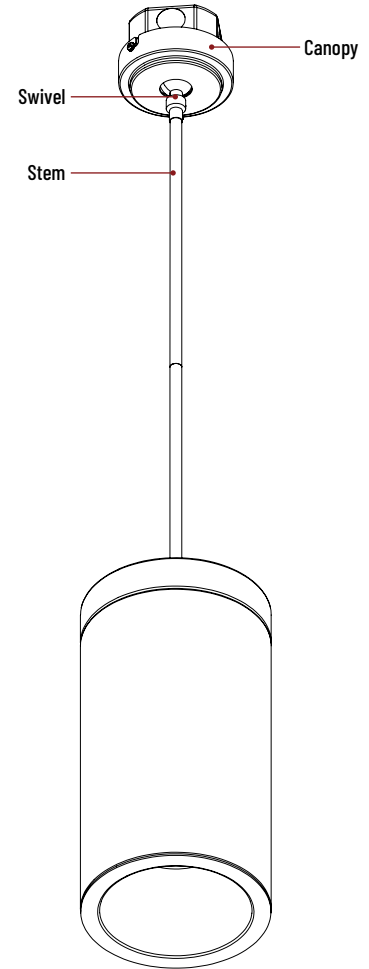
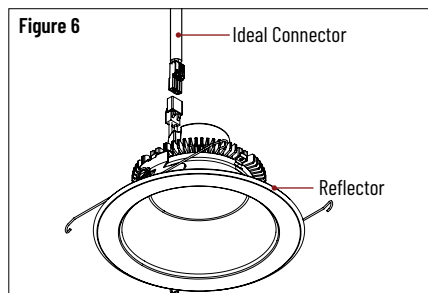
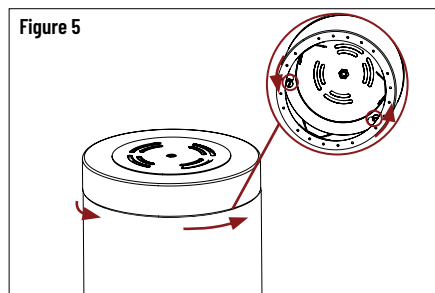
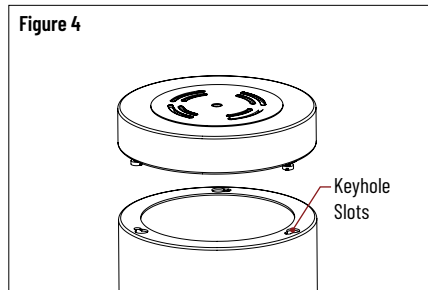
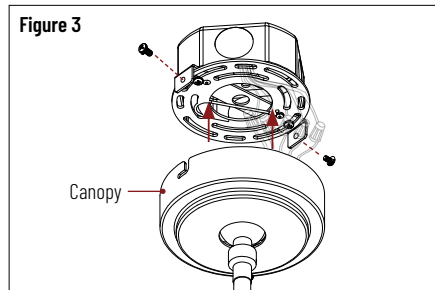
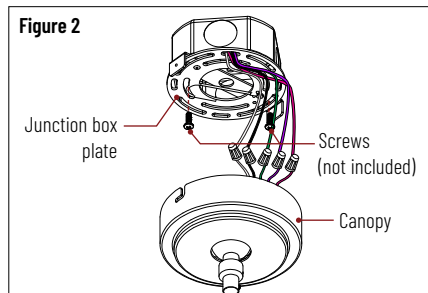
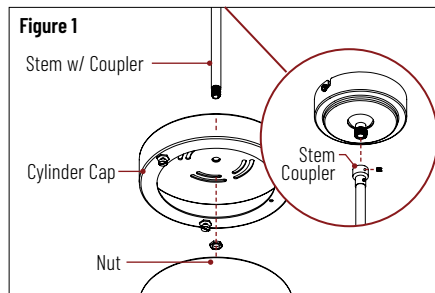
⚠ FIRE/ELECTRICAL HAZARD: INSTALL ACCORDING TO NATIONAL ELECTRIC CODE AND ANY APPLICABLE MUNICIPAL CODE REQUIREMENTS. - This equipment is intended to be installed only by qualified personnel. The installation must be made in accordance with the current edition to the National Electric Code and all applicable state and local building codes. The final installation must be approved by the appropriate qualified electrical/building inspector(s). Improper installation may result in a fire or electrical hazard. Be sure the electrical power to the circuit has been disconnected before installing this electrical system.

⚠ RISQUE D'INCENDIE / D'ÉLECTRICITÉ: INSTALLER SELON LE CODE ÉLECTRIQUE NATIONAL ET TOUTES LES EXIGENCES RELATIVES AU CODE MUNICIPAL APPLICABLE. - Cet équipement est destiné à être installé uniquement par du personnel qualifié. L'installation doit être faite conformément à l'édition actuelle du Code national de l'électricité et de tous les codes de construction locaux et nationaux applicables. L'installation finale doit être approuvée par un ou plusieurs inspecteurs qualifiés en électricité / bâtiment. Une installation incorrecte peut entraîner un incendie ou un risque électrique. Assurez-vous que l'alimentation électrique du circuit a été déconnectée avant d'installer ce système électrique.

STEM MOUNT INSTALLATION

⚠ INSTALLATION SHOULD BEGIN FROM TOP TO BOTTOM.

1. Ensure electrical power is off.
2. Insert stem with coupler through the cylinder cap and fasten with nut (included).
Attach stem coupler to canopy and tighten set screw. (Figure 1)
3. Attach junction box plate (included) to junction box and connect power cord to supply wires.
(Figure 2 - refer to ELECTRICAL CONNECTIONS on page 2)
4. Tighten set screw to secure canopy. (Figure 3)
5. Attach cylinder to cylinder cap through keyhole slots. (Figure 4)
6. Twist the cylinder cap to lock the cylinder. Tighten screws inside cylinder. (Figure 5)
7. Connect ideal connector from LED driver to Sapphire reflector. (Figure 6)
8. Push reflector into cylinder until flush.



Installation Instructions

NYLD2-6P

6" Stem Mounted Cobalt Cylinder

READ PRIOR TO ATTEMPTING INSTALLATION
 ALWAYS TURN OFF MAIN POWER BEFORE INSTALLATION
 INSTALLATION SHOULD BE CARRIED OUT BY YOUR LOCAL ELECTRICIAN

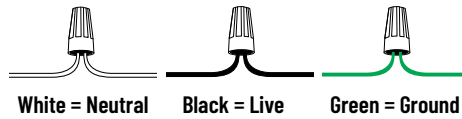
ELECTRICAL CONNECTIONS

Connect wires accordingly:

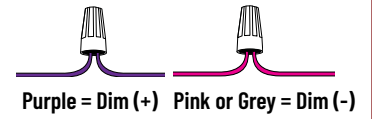
- Black Wire = Live (Hot)
 - White Wire = Neutral
 - Green or Copper Wire = Grounding Junction Box Wire
- 0-10V Wiring:
- Purple = Dim (+)
 - Pink or Grey = Dim (-)

NOTE ON GROUNDING: Many structures carry grounding via steel conduit. If this is the case, if there is no grounding wire, simply leave green wire on fixture unattached. Fixture will be grounded through attachment of conduit to junction box. However, if Romex or PVC conduit is used, ground wire will always be present, and must be connected to green wire on fixture junction box to avoid electrical shock hazard.

120/277V CONNECTION:

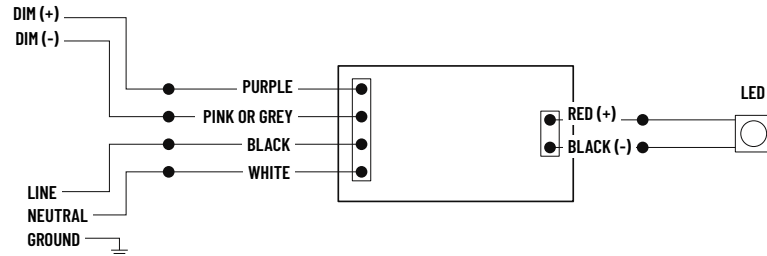


0-10V DIMMING CONNECTION:

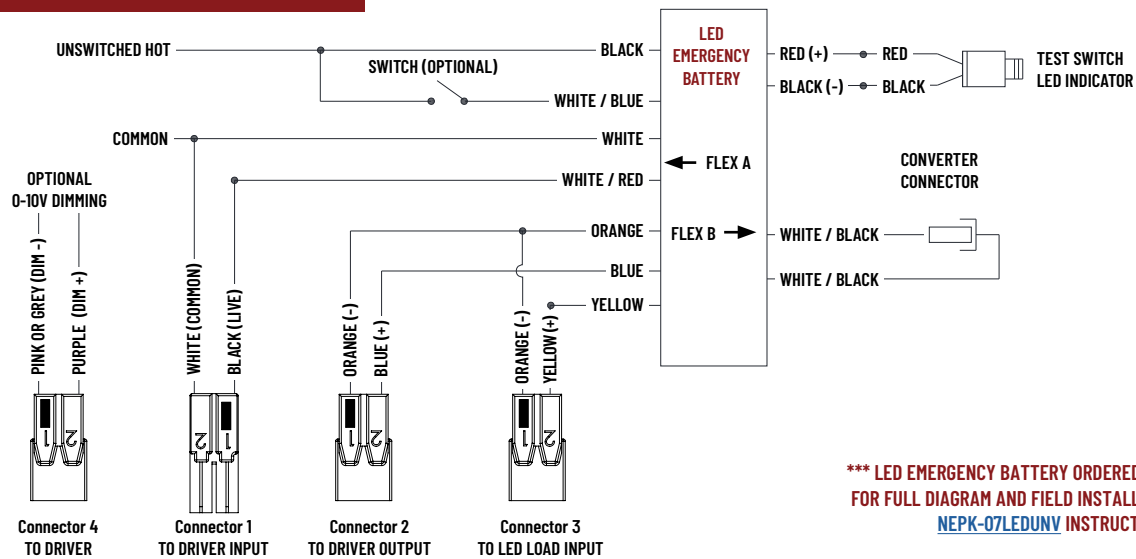


* cap off 0-10V dimming wires if not used *

0-10V DIMMING CONNECTION:

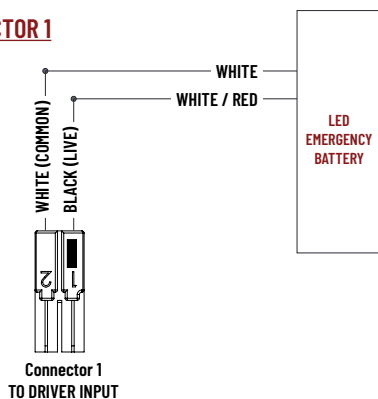


EMERGENCY CONNECTION (NEPK-07LEDUNV)

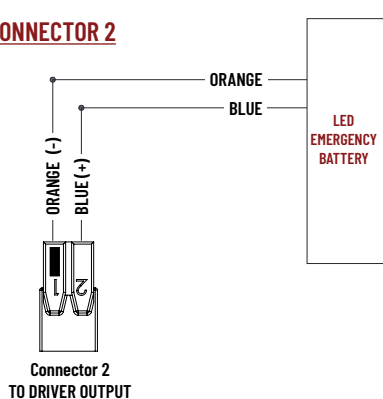


*** LED EMERGENCY BATTERY ORDERED SEPARATELY***
 FOR FULL DIAGRAM AND FIELD INSTALLATION, REFER TO
[NEPK-07LEDUNV INSTRUCTIONS](#)

CONNECTOR 1



CONNECTOR 2



CONNECTOR 3

