

# NPR-4RG

## 4" Pearl 120V LED Round Adjustable Gimbal Retrofit

Source: 12W LED  
1050lm

Type

Project

Catalog No.

Notes

### PRODUCT DESCRIPTION

Pearl LED Retrofit series is cULus classified for use in existing IC or Non-IC housings manufactured by Nora and others. The 4" retrofit luminaires deliver over 1050 lumens with die-cast adjustable gimbal to aim the light source in desired direction.

### FEATURES

- Medium base socket adapter included
- Retrofit existing 4" recessed housings
- Comfort Dim (warm dimming) is available in 800lm only
- 2700K, 3000K, 3500K, 4000K @ 90+ CRI
- Field changeable optics included (Spot, Narrow Flood and Flood - installed)
- Integral dimmable driver
- 5-year limited warranty
- cULus classified for damp locations

### SPECIFICATION

**Construction:** Trims are constructed of heat dissipating, die-cast aluminum. The aluminum die-cast LED heat sink is threaded to fit the trim and transfer heat.

**Mounting:** Luminaire includes friction blades to mount securely to housing.

### OPTICS

Three field changeable optics (spot, narrow flood and flood) are included with each LED module. Premium 22° and 26° TIR optics are also available.

### ELECTRICAL

**Input Voltage:** 120V

**Lumens / Wattage:** 1050lm / 12W (800lm w/ Comfort Dim)

**Color Temperature:** 2700K, 3000K, 3500K, 4000K

**Color Rendering Index:** 90+CRI

**Beam Spread:** 26° Spot, 36° Narrow Flood, 56° Flood

**Operating Temperature:** 0°C to 25°C

**Lifetime:** 50,000 hours @ L70

**Comfort Dim:** Comfort Dim color tunes the temperature from a bright 3100K, to a romantic and comfortable 2000K on a gradual, even curve. Available in 800lm only.

**Dimming:** Triac (leading edge) or ELV (trailing edge)

[Click Here](#) or check complete dimmer list at [www.NoraLighting.com](http://www.NoraLighting.com) in the "Compatibility" page under "Resources" tab

### COMPATIBLE HOUSINGS

Pearl retrofits are compatible with most 4" IC and Non-IC housings by Nora and others.

#### Fire Box

- [NFJB-R4\\*](#) ICAT Junction Box
- [NFBIC-4LMRATA\\*](#) ICAT Dedicated LED
- [NFBIC-427LMRATA\\*](#) Shallow ICAT Dedicated LED
- [NFBIC-4INCATA](#) ICAT Line Voltage

#### New Construction

- [NSIC-4LMRAT\\*](#) Max. Adjustability ICAT Dedicated LED
- [NHIC-4LMRAT\\*](#) ICAT Dedicated LED
- [NHIC-4LMRAT/277\\*](#) ICAT Dedicated LED, 277V (includes step-down transformer)
- [NHICCP-4LMRAT\\*](#) CCEA Dedicated LED
- [NHIC-427LMRAT\\*](#) Shallow ICAT Dedicated LED
- [NSIC-401QAT](#) ICAT Line Voltage
- [NS-401QAT](#) AT Line Voltage
- [NHIC-4G24AT](#) ICAT GU24

#### Remodel

- [NHRIC-4LMRAT\\*](#) ICAT Dedicated LED
- [NHRIC-427LMRAT\\*](#) Shallow ICAT Dedicated LED
- [NSRIC-404QAT](#) ICAT Line Voltage
- [NSR-404QAT](#) AT Line Voltage

\* Nora Dedicated LED housings are cULus listed for use only with Nora LED Retrofits.

**Retrofit:** Pearl retrofit series includes medium base screw-socket adapter (NRA-211SM) for retrofitting into existing medium base downlight housings. GU24 socket adapter is available for use with GU24 housings, must specify NRA-212SM.

**Accessories:** Luminaires can accommodate (1) hex louver and (1) translucent deco collar or opaque snoot, no accessory holder is required, see accessories page.

### LABELS AND LISTINGS

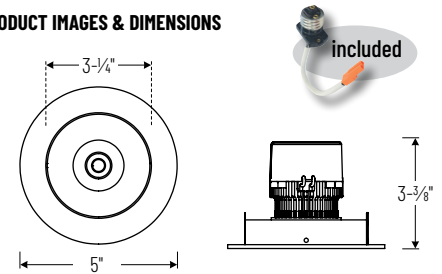
- cULus classified for Damp Locations
- RoHS compliant
- [5-Year Limited Warranty](#)
- Certified to the high efficacy requirements of California Title 24 JA8-2022



Performance Data			
Part Number	Lumens	CCT	Optic
<b>NPR-4RG30XWW</b>	1088lm	3000K	Spot
<b>NPR-4RG30XWW</b>	1091lm	3000K	Narrow
<b>NPR-4RG30XWW</b>	1080lm	3000K	Flood

Delivered lumens will vary depending on CCT, optic and finish

### PRODUCT IMAGES & DIMENSIONS



#### NPR-4RG

Round Adjustable Gimbal

Adjustability:

Max. Adjustability Housing: 35°

Standard Housings / Junction Box: 25°

Shallow Housings: 10°



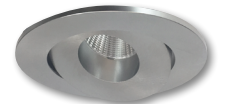
**BB**  
Black



**BZ**  
Bronze



**MPW**  
Matte Powder White



**NN**  
Natural Metal



**WW**  
White

## 4" Pearl 120V LED Round Adjustable Gimbal Retrofit

Color Temperature	Finish
<b>NPR-4RG27X</b> = 2700K	<b>BB</b> = Black
<b>NPR-4RG30X</b> = 3000K	<b>BZ</b> = Bronze
<b>NPR-4RG35X</b> = 3500K	<b>MPW</b> = Matte Powder White
<b>NPR-4RG40X</b> = 4000K	<b>NN</b> = Natural Metal
<b>NPR-4RGCDX</b> = Comfort Dim	<b>WW</b> = White

Example: **NPR-4RG27XWW** = 4" Pearl 120V LED Round Adjustable Gimbal Retrofit, 2700K, White finish

# 4" Pearl LED Retrofit Accessories

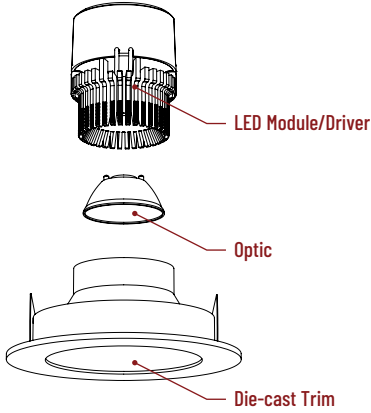
Pearl LED Round Adjustable Gimbal Retrofit

Type
Project
Catalog No.
Notes

## FIELD CHANGEABLE OPTICS

Pearl luminaires include spot, narrow flood and flood optics. Optics can be changed in the field by removing LED module from die-cast trim. Optional frosted and TIR optics are also available.

**Note:** Premium TIR optics are not compatible with Comfort Dim LED modules.



Frosted Optics

**NIO-REFL38FR** 60° Optic  
**NIO-REFL60FR** 73° Optic

Replaces optics that are included with each LED module.



Premium TIR Optics

**NIO-REFLTIR15** 22° Optic  
**NIO-REFLTIR25** 26° Optic

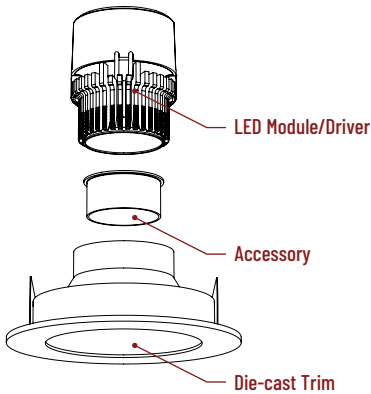
Premium TIR (total internal reflection) optics create optimal spot and narrow flood beam spread.

**Not compatible with Comfort Dim (CDX) LED module**

## ACCESSORIES

Pearl accessories can be added at any point in the design process. Accessories easily install between LED module and die-cast trim.

Luminaire will accommodate (1) hex louver and (1) collar accessory, no accessory holder required.



Translucent Decorative Collar

**NIO-AS14(color)** 5/8" length  
**NIO-AS19(color)** 3/4" length  
**NIO-AS26(color)** 1" length  
**Color:**  
**AM** (amber), **BLU** (blue), **FR** (frosted), **R** (red)

Translucent collars color the aperture with the specified color while producing white general light. Collars are available in different lengths. Use to add interest, create a theme, match a theme or define a space.



Opaque Collar Snoot

**NIO-AS14(color)** 5/8" length  
**NIO-AS19(color)** 3/4" length  
**NIO-AS26(color)** 1" length  
**Color:**  
**MPW** (matte powder white), **WH** (white)

Opaque snoot greatly reduces aperture brightness while preserving light output.



Hex Cell Louver

**NIO-HC** Black  
 Hex cell louver subtly reduces aperture brightness by reducing light output by about 20%.

# PHOTOMETRICS

## 4" Pearl LED Round Adjustable Gimbal Retrofit

Type

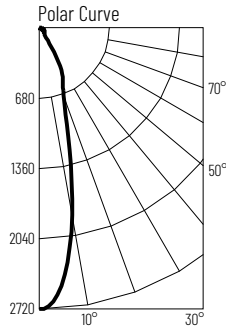
Project

Catalog No.

Notes

### Test Information

Test Number: NTR1542  
 Part Number: NPR-4RG30XXWW  
 Beam Spread: 26° Spot  
 Lumens: 1088lm  
 Wattage: 11.61W  
 Efficacy: 94lpw  
 CCT / CRI: 3000K / 90 CRI  
 Spacing Criteria (0°-180°): 0.46  
 Spacing Criteria (90°-270°): 0.44



### Illuminance at a Distance

Distance from Luminaire	FC at Nadir	Beam Diameter
4'	170fc	1'-11"
6'	75.5fc	2'-10"
8'	42.5fc	3'-8"
10'	27.2fc	4'-8"
12'	18.9fc	5'-6"

### Zonal Lumen Summary

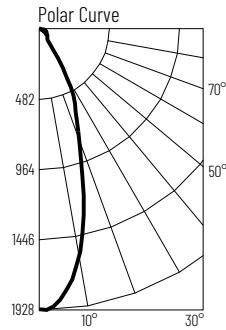
Zone	Lumens	% Luminaire
0-30	775	71.2
0-40	882	81.1
0-60	997	91.7
0-90	1085	99.7
90-180	3	0.3
0-180	1088	100

### Candela Table

Vertical Angles	Candela
0	2718
5	2516
15	1095
25	547
35	148
45	77

### Test Information

Test Number: NTR1543  
 Part Number: NPR-4RG30XXWW  
 Beam Spread: 36° Narrow Flood  
 Lumens: 1091lm  
 Wattage: 11.66W  
 Efficacy: 94lpw  
 CCT / CRI: 3000K / 90 CRI  
 Spacing Criteria (0°-180°): 0.6  
 Spacing Criteria (90°-270°): 0.58



### Illuminance at a Distance

Distance from Luminaire	FC at Nadir	Beam Diameter
4'	120fc	2'-7"
6'	53.4fc	3'-11"
8'	30.1fc	5'-2"
10'	19.2fc	6'-6"
12'	13.4fc	7'-10"

### Zonal Lumen Summary

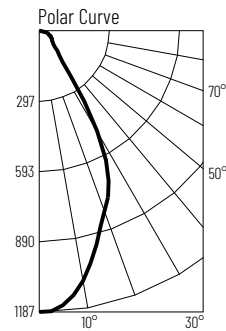
Zone	Lumens	% Luminaire
0-30	761	69.7
0-40	868	79.5
0-60	995	91.2
0-90	1088	99.8
90-180	3	0.2
0-180	1091	100

### Candela Table

Vertical Angles	Candela
0	1924
5	1839
15	1196
25	583
35	157
45	81

### Test Information

Test Number: NTR1544  
 Part Number: NPR-4RG30XXWW  
 Beam Spread: 56° Flood  
 Lumens: 1080lm  
 Wattage: 11.71W  
 Efficacy: 92lpw  
 CCT / CRI: 3000K / 90 CRI  
 Spacing Criteria (0°-180°): 0.84  
 Spacing Criteria (90°-270°): 0.84



### Illuminance at a Distance

Distance from Luminaire	FC at Nadir	Beam Diameter
4'	74.2fc	4'-2"
6'	33fc	6'-5"
8'	18.5fc	8'-6"
10'	11.9fc	10'-7"
12'	8.2fc	12'-8"

### Zonal Lumen Summary

Zone	Lumens	% Luminaire
0-30	680	63
0-40	844	78.2
0-60	980	90.7
0-90	1077	99.8
90-180	3	0.2
0-180	1080	100

### Candela Table

Vertical Angles	Candela
0	1187
5	1163
15	934
25	699
35	236
45	95

### Lumen Output Multipliers

Color Temperature: 2700K (0.97), 3000K (1.00), 3500K (1.05), 4000K (1.09)