

NPR-4RNB

4" Pearl 120V LED Round Bullnose Retrofit

Source: 10W LED
1250lm

Type

Project

Catalog No.

Notes

PRODUCT DESCRIPTION

Pearl LED Retrofit series is cULus classified for use in existing IC or Non-IC housings manufactured by Nora and others. The 4" retrofit luminaires deliver over 1250 lumens with filleted aperture which allows for minimal aperture brightness while still producing the nadir footcandles.

FEATURES

- Medium base socket adapter included
- Retrofit existing 4" recessed housings
- Comfort Dim (warm dimming) is available in 750lm only
- 2700K, 3000K, 3500K, 4000K @ 90+ CRI
- Three field changeable optics included
- Integral dimmable driver
- 5-year limited warranty
- cULus classified for wet locations

SPECIFICATION

Construction: Trims are constructed of heat-dissipating die-cast aluminum. A threaded aluminum LED heat sink integrates directly with the trim for optimal heat transfer, while a heat-resistant polycarbonate blend plate enhances overall temperature control and performance.

Mounting: Luminaire includes friction blades to mount securely to housing.

OPTICS

Three field changeable optics (spot, narrow flood and flood - installed) are included with each LED module. Premium 22° and 26° TIR optics are also available.

ELECTRICAL

Input Voltage: 120V

Lumens / Wattage: 1250lm / 10W (750lm w/ Comfort Dim)

Color Temperature: 2700K, 3000K, 3500K, 4000K

Color Rendering Index: 90+CRI

Beam Spread: 26° Spot, 36° Narrow Flood, 64° Flood

Operating Temperature: 0°C to 25°C

Lifetime: 50,000 hours @ L70

Comfort Dim: Comfort Dim color tunes the temperature from a bright 3000K, to a romantic and comfortable 2000K on a gradual, even curve. Available in 750lm only.

Dimming: Triac (leading edge) or ELV (trailing edge)

[Click Here](#) or check complete dimmer list at

www.NoraLighting.com in the "Compatibility" page under "Resources" tab

COMPATIBLE HOUSINGS

Pearl retrofits are compatible with most 4" IC and Non-IC housings by Nora and others.

Fire Box

- [NFJB-R4*](#) ICAT Junction Box
- [NFBIC-4LMRATA*](#) ICAT Dedicated LED
- [NFBIC-4INCATA](#) ICAT Line Voltage

New Construction

- [NSIC-4LMRAT*](#) Max. Adjustability ICAT Dedicated LED
- [NHIC-4LMRAT*](#) ICAT Dedicated LED
- [NHIC-4LMRAT/277*](#) ICAT Dedicated LED, 277V (includes step-down transformer)
- [NSIC-4010AT](#) ICAT Line Voltage
- [NS-4010AT](#) AT Line Voltage
- [NHIC-4G24AT](#) ICAT GU24

Remodel

- [NHRIC-4LMRAT*](#) ICAT Dedicated LED
- [NSRIC-4040AT](#) ICAT Line Voltage
- [NSR-4040AT](#) AT Line Voltage

* Nora Dedicated LED housings are cULus listed for use only with Nora LED Retrofits.

Retrofit: A medium base screw-socket adapter is included for retrofitting into existing housings. Medium base sockets may require removal, dependent on trim and housing height. A GU24 socket adapter is also available, ordered separately (NRA-212SM).

Accessories: Luminaires can accommodate (1) hex louver and (1) translucent deco collar or opaque snoot, no accessory holder is required, see accessories page.

LABELS AND LISTINGS

- cULus classified for Wet Locations
- RoHS compliant
- [5-Year Limited Warranty](#)
- ENERGY STAR certified (Comfort Dim is not certified)
- Certified to the high efficacy requirements of California Title 24 JA8-2025
- Patent Pending

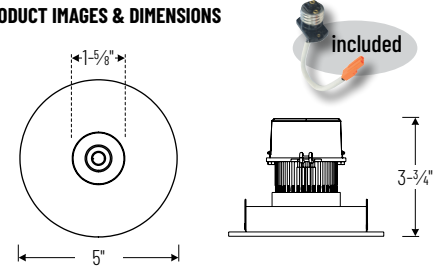


Performance Data

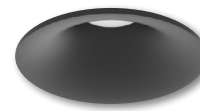
Part Number	Lumens	CCT	Optic
NPR-4RNB40XMPW	1268lm	4000K	Spot
NPR-4RNB40XMPW	1274lm	4000K	Narrow
NPR-4RNB40XMPW	1269lm	4000K	Flood

Delivered lumens will vary depending on CCT, optic and finish

PRODUCT IMAGES & DIMENSIONS



NPR-4RNB
Round Bullnose
Non-Adjustable



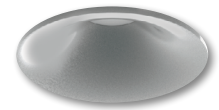
BB
Black



BZ
Bronze



MPW
Bright White



NN
Natural Metal



WW
Warm White

4" Pearl 120V LED Round Bullnose Retrofit

Color Temperature	Finish
NPR-4RNB27X = 2700K	BB = Black
NPR-4RNB30X = 3000K	BZ = Bronze
NPR-4RNB35X = 3500K	MPW = Bright White
NPR-4RNB40X = 4000K	NN = Natural Metal
NPR-4RNBCDX = Comfort Dim	WW = Warm White

Example: **NPR-4RNB35XMPW** = 4" Pearl 120V LED Round Bullnose Retrofit, 4000K, Bright White finish

ACCESSORIES

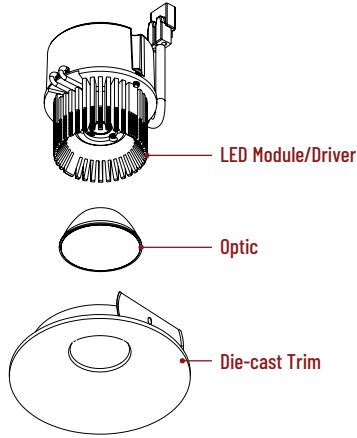
4" Pearl 120V LED Round Bullnose Retrofit

Type
Project
Catalog No.
Notes

FIELD CHANGEABLE OPTICS

Pearl luminaires include spot, narrow flood and flood optics. Optics can be changed in the field by removing LED module from die-cast trim. Optional frosted and TIR optics are also available.

Note: Premium TIR optics are not compatible with Comfort Dim LED modules.



Frosted Optics

- NIO-REFL38FR 60° Optic
- NIO-REFL60FR 73° Optic

Replaces optics that are included with each LED module.



Premium TIR Optics

- NIO-REFLTIR15 22° Optic
- NIO-REFLTIR25 26° Optic

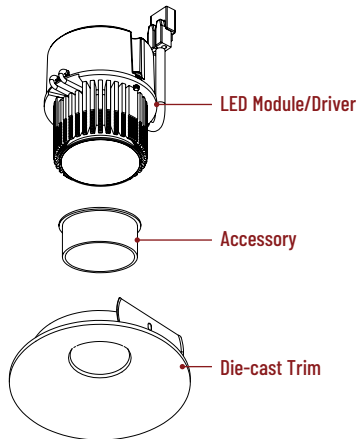
Premium TIR (total internal reflection) optics create optimal spot and narrow flood beam spread.

Not compatible with Comfort Dim (CDX) LED module

ACCESSORIES

Pearl accessories can be added at any point in the design process. Accessories easily install between LED module and die-cast trim.

Luminaire will accommodate (1) hex louver and (1) collar accessory, no accessory holder required.



Translucent Decorative Collar

- NIO-AS14(color) 5/8" length
 - NIO-AS19(color) 3/4" length
 - NIO-AS26(color) 1" length
- Color:**
AM (amber), BLU (blue), FR (frosted), R (red)

Translucent collars color the aperture with the specified color while producing white general light. Collars are available in different lengths. Use to add interest, create a theme, match a theme or define a space.



Opaque Collar Snoot

- NIO-AS14WH 5/8" length / warm white finish
- NIO-AS19MPW 3/4" length / bright white finish
- NIO-AS19WH 3/4" length / warm white finish
- NIO-AS26WH 1" length / warm white finish

Opaque snoot greatly reduces aperture brightness while preserving light output.



Hex Cell Louver

- NIO-HC Black

Hex cell louver subtly reduces aperture brightness by reducing light output by about 20%.

Hex cell louver is not compatible with TIR optics.

PHOTOMETRICS

4" Pearl 120V LED Round Bullnose Retrofit

Type

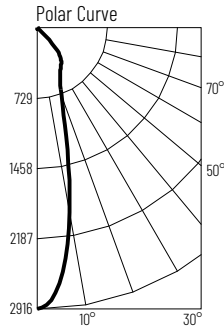
Project

Catalog No.

Notes

Test Information

Test Number: NTR2898R1
 Part Number: NPR-4RNB40XMPW
 Beam Spread: 26° Spot
 Lumens: 1268lm
 Wattage: 9.82W
 Efficacy: 129lpw
 CCT / CRI: 4000K / 90 CRI
 Spacing Criteria (0°-180°): 0.44
 Spacing Criteria (90°-270°): 0.44



Illuminance at a Distance

Distance from Luminaire	FC at Nadir	Beam Diameter
4'	182fc	1'-11"
6'	81fc	2'-10"
8'	45.6fc	3'-8"
10'	29.2fc	4'-7"
12'	20.2fc	5'-7"

Zonal Lumen Summary

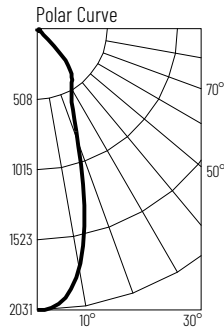
Zone	Lumens	% Luminaire
0-30	826	65.1
0-40	1098	86.6
0-60	1254	98.9
0-90	1268	100
90-180	0	0
0-180	1268	100

Candela Table

Vertical Angles	Candela
0	2916
5	2657
15	1167
25	564
35	438
45	177

Test Information

Test Number: NTR2897R1
 Part Number: NPR-4RNB40XMPW
 Beam Spread: 36° Narrow Flood
 Lumens: 1274lm
 Wattage: 9.82W
 Efficacy: 130lpw
 CCT / CRI: 4000K / 90 CRI
 Spacing Criteria (0°-180°): 0.6
 Spacing Criteria (90°-270°): 0.6



Illuminance at a Distance

Distance from Luminaire	FC at Nadir	Beam Diameter
4'	127fc	2'-7"
6'	56.4fc	3'-11"
8'	31.7fc	5'-4"
10'	20.3fc	6'-7"
12'	14.1fc	7'-11"

Zonal Lumen Summary

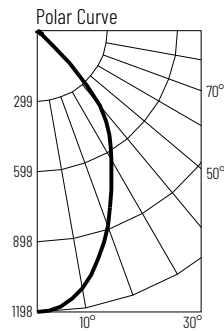
Zone	Lumens	% Luminaire
0-30	828	65
0-40	1075	84.4
0-60	1260	98.9
0-90	1274	100
90-180	0	0
0-180	1274	100

Candela Table

Vertical Angles	Candela
0	2031
5	1981
15	1318
25	603
35	441
45	176

Test Information

Test Number: NTR2896R1
 Part Number: NPR-4RNB40XMPW
 Beam Spread: 64° Flood
 Lumens: 1269lm
 Wattage: 9.82W
 Efficacy: 129lpw
 CCT / CRI: 4000K / 90 CRI
 Spacing Criteria (0°-180°): 0.9
 Spacing Criteria (90°-270°): 0.9



Illuminance at a Distance

Distance from Luminaire	FC at Nadir	Beam Diameter
4'	74.8fc	5'
6'	33.3fc	7'-5"
8'	18.7fc	9'-11"
10'	12fc	12'-5"
12'	8.3fc	14'-11"

Zonal Lumen Summary

Zone	Lumens	% Luminaire
0-30	736	58
0-40	1069	84.2
0-60	1250	98.5
0-90	1269	100
90-180	0	0
0-180	1269	100

Candela Table

Vertical Angles	Candela
0	1198
5	1178
15	1007
25	749
35	538
45	195

Lumen Output Multipliers

Color Temperature: 2700K (0.89), 3000K (0.94), 3500K (0.97), 4000K (1.00)

Finish Multipliers

Finish: Black (0.84), Bronze (0.85), Natural Metal (0.93), Bright White (1.00), Warm White (1.03)