

NE-970

Wet Location LED Emergency Light with Self-Diagnostics

Source: 2.5W LED per head
310lm per head

Type _____

Project _____

Catalog No. _____

Notes _____

PRODUCT DESCRIPTION

Wet location rated LED emergency luminaire with two adjustable heads. Luminaire is powered by LED sources for maximum life without maintenance. In the event of power loss, LED heads will operate for a minimum of 90 minutes. Ideal for egress lighting where splashing, non-corrosive liquids, and dripping may occur.

FEATURES

- Fully adjustable 2.5W LED emergency heads
- Wall Mounted
- UL Listed and meets or exceeds UL 924, NFPA 70 and NFPA 101 Life Safety Code requirements
- Polycarbonate plastic enclosure with flame retardant and wet location rated
- Self-Diagnostic Testing
- Push-To-Test Switch
- High temperature maintenance-free NiCad battery
- 120-277VAC input

ELECTRICAL

Voltage: 120-277VAC 50/60Hz input

Power Consumption: 3W

Lumens / Wattage Per Head: 310lm / 2.5W

Battery: 7.2V Replaceable 2000mA NiCad battery

Recharge Time: 24 hours

Operating Temperature: 0°C to 50°C

FACE

Impact resistant polycarbonate white face plate with flame retardant and internal gasket for wet location rating.

EMERGENCY

During loss of power, NiCad battery will operate two adjustable LED emergency heads for 90 minutes. Battery requires 24 hours to recharge when power is restored.

MOUNTING

Mounting hardware included for wall mount applications. Listed for installations indoor, outdoor or wet locations.

BROWNOUT CIRCUIT

Brownout circuit monitors the flow of AC current to the unit and triggers the emergency lighting system once a set reduction of AC power occurs. This dip in the voltage will cause many fixtures to extinguish causing loss of normal lighting even though a total power failure has not occurred.

SHORT CIRCUIT PROTECTION

Overload monitoring system is a solid-state circuit which monitors the load and disconnects from the battery should an overload or short circuit occur. The overload current protection eliminates the need for fuses or circuit breakers for the DC load.

TESTING

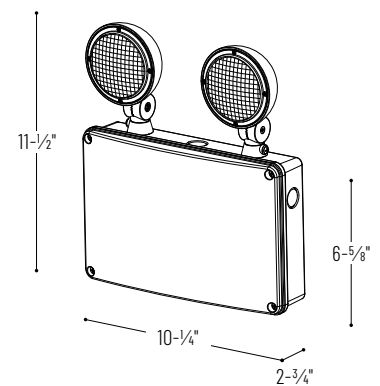
Luminaire includes manual test button for manual verification the transfer circuit and emergency heads operate correctly. Luminaire also performs self-tests and diagnostics on battery, charging board, transfer circuit, and LED emergency heads. If a failure is detected, an indicator LED will blink red until fault is corrected. A solid green indicator LED indicates no faults and blinked green indicates a test is in progress.

LABELS AND LISTINGS

- [5-Year Limited Warranty](#)
- UL 924 Listed for Wet Locations
- NFPA 70 & NFPA 101 Life Safety Code
- California Energy Commission (CEC) Compliant



PRODUCT IMAGES AND DIMENSIONS



Wet Location LED Emergency Light with Self-Diagnostics

Description _____

NE-970 = Battery Backup

Example: NE-970 = Wet Location LED Emergency Light with Battery Backup