

# Installation Instructions

## NLUD-L334

### L-Line LED Indirect / Direct Luminaire

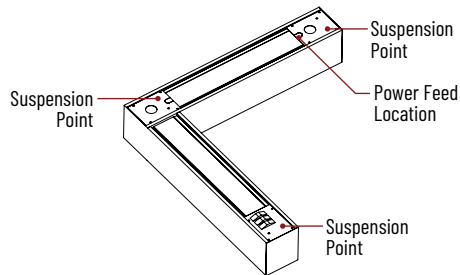
**READ PRIOR TO ATTEMPTING INSTALLATION**  
**ALWAYS TURN OFF MAIN POWER BEFORE INSTALLATION**  
**INSTALLATION SHOULD BE CARRIED OUT BY YOUR LOCAL ELECTRICIAN**

**⚠ WARNING** - This equipment is intended to be installed only by qualified personnel. The installation must be made in accordance with the current edition to the National Electric Code and all applicable state and local building codes. The final installation must be approved by the appropriate qualified electrical/building inspector(s). Improper installation may result in a fire or electrical hazard. Be sure the electrical power to the circuit has been disconnected before installing this electrical system.

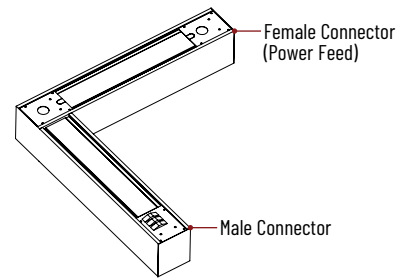
**⚠ AVERTISSEMENT** - Cet équipement est destiné à être installé uniquement par du personnel qualifié. L'installation doit être faite en conformité avec l'édition actuelle du Code national de l'électricité et toutes étatiques et locales codes du bâtiment applicables. L'installation finale doit être approuvée par l'inspecteur en électricité / bâtiment qualifié approprié(s). Une mauvaise installation peut entraîner un incendie ou un risque électrique. Soyez sûr de la puissance électrique vers le circuit a été coupée avant l'installation de ce système électrique.

#### POWER FEED AND SUSPENSION POINTS

Recommended to use (3) suspension points



#### CONNECTORS



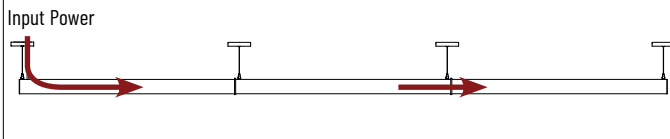
#### CONNECTING MULTIPLE LUMINAIRES

Determine type of system installation prior to mounting.

- LED system can be powered in a single direction with internal quick connects.
- LED system can be powered in multi-directions with wire harness kit (NLUD-MDPH, ordered separately).

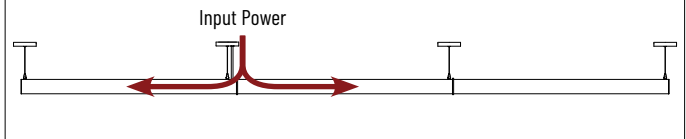
##### Single Direction Installation

For single direction instructions, proceed to page 2



##### Multi-Direction Installation

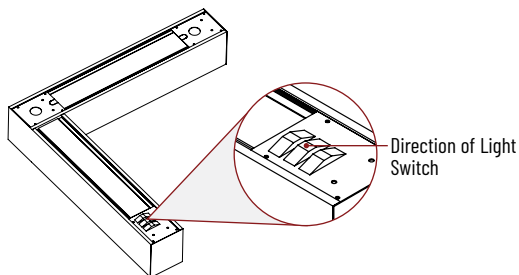
For multi-direction instructions, proceed to page 4



#### CHANGING DIRECTION OF LIGHT

**Note:** LED Luminaires are preset at Direct and Indirect illumination

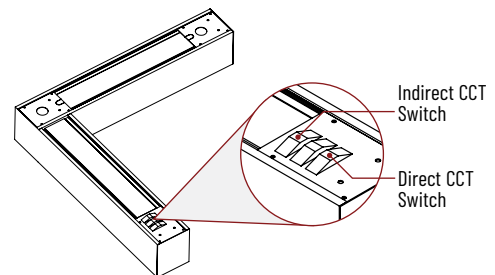
1. Before installing luminaires, determine direction of light.
2. Direction of light switch is located on the back of each luminaire.
3. Slide switch to the desired direction.



#### CHANGING COLOR TEMPERATURE

**Note:** LED luminaires are preset at 3000K in each direction of light

1. Before installing luminaires, determine color temperature for each direction of light.
2. Color temperature switches are located on the back of each luminaire.
3. Slide each switch to the desired color temperature.



# Installation Instructions

NLUD-L334

L-Line LED Indirect / Direct Luminaire

READ PRIOR TO ATTEMPTING INSTALLATION  
ALWAYS TURN OFF MAIN POWER BEFORE INSTALLATION  
INSTALLATION SHOULD BE CARRIED OUT BY YOUR LOCAL ELECTRICIAN

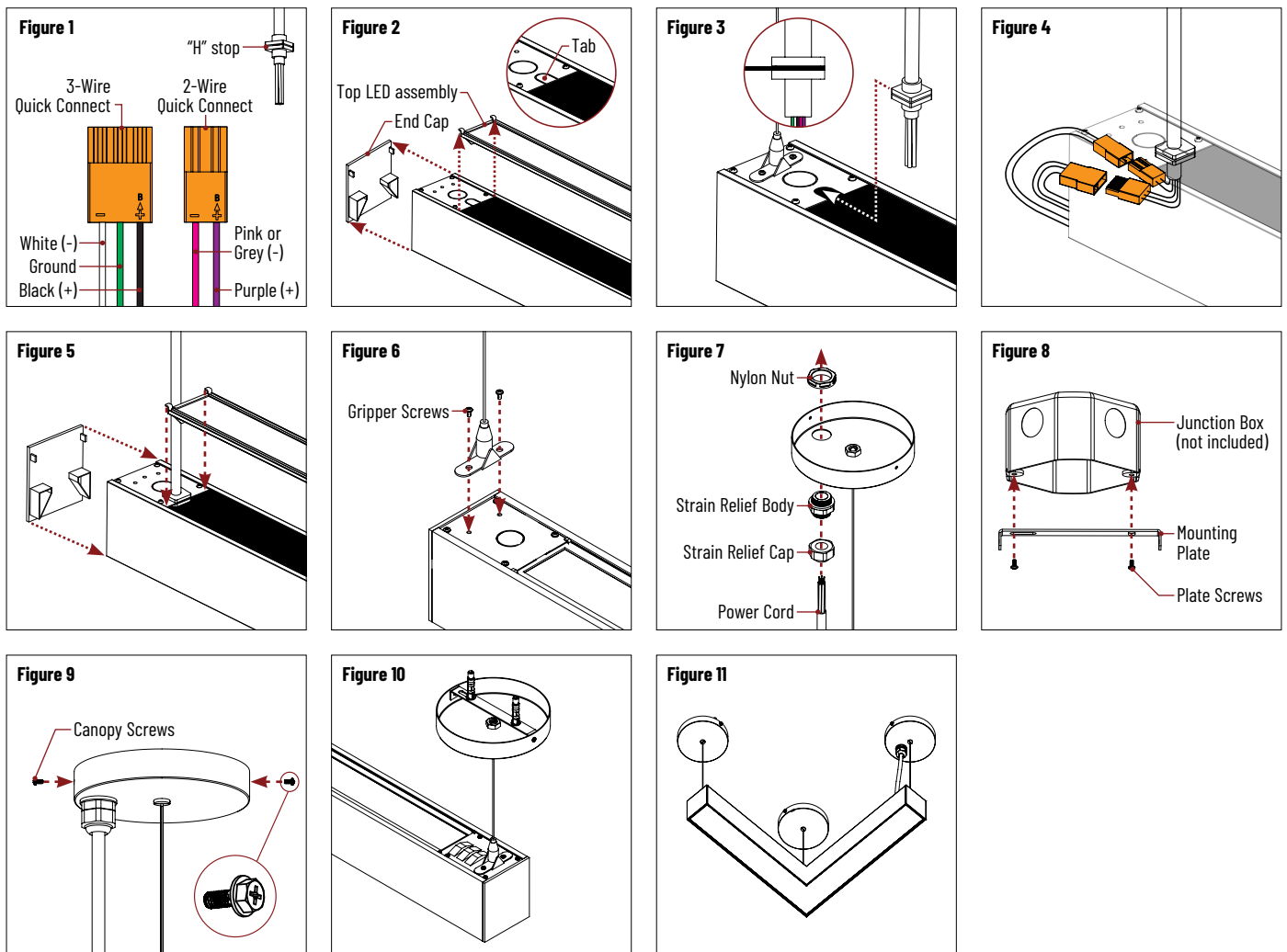
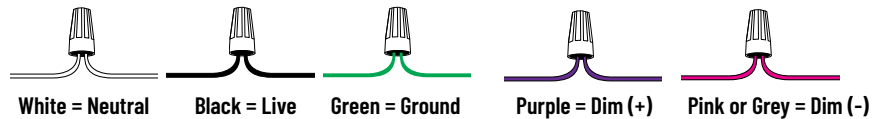
## PENDANT MOUNTED: SINGLE LUMINAIRE INSTALLATION

REQUIRES: NLUD-PCC (Ordered Separately)

### ⚠️ TURN OFF MAIN POWER BEFORE INSTALLATION

1. Connect power cord (NLUD-PCC) to 3-wire male and 2-wire male quick connects provided with pendant power canopy (NLUD-PCC) on "H" stop end. Black, White & Green connect to 3-wire quick connect and Purple & Pink or Grey to 2-wire quick connect. (Figure 1)
2. Remove end cap, top LED assembly and tab from luminaire on power feed side. (Figure 2)
3. Slide power cord's "H" stop into tab on knockout plate. Confirm "H" sits between knockout plate. (Figure 3)
4. Connect power cord to luminaire's input wires. (Figure 4)
5. Tuck wires into the luminaire and return the top LED assembly and end cap. (Figure 5)
6. Attach aircraft gripper to knockout plate with (2) gripper screws. (Figure 6)
7. Insert power cord through strain relief assembly to desired length and tighten strain relief cap. (Figure 8)
8. Cut power cord to desired length and strip for wiring. Connect wires to input voltage accordingly:
  - Black (120-347V) = Supply Voltage
  - White = Neutral
  - Green or Copper Wire = Grounding Junction Box Wire0-10V Wiring:
  - Purple = Dim (+)
  - Pink or Grey = Dim (-)
9. Carefully insert wires inside junction box and attach mounting plate with (2) plate screws. (Figure 8)
10. Attach canopy to mounting plate with (2) canopy screws. (Figure 9)
11. Assemble aircraft mounting kit and attach to suspension point. (Figure 10)
12. Installation complete for single luminaire. (Figure 11) **NOTE:** For additional luminaires proceed to page 3.

0-10V DIMMING (Note: cap off 0-10V dimming wires if not used)



# Installation Instructions

## NLUD-L334

### L-Line LED Indirect / Direct Luminaire

READ PRIOR TO ATTEMPTING INSTALLATION  
ALWAYS TURN OFF MAIN POWER BEFORE INSTALLATION  
INSTALLATION SHOULD BE CARRIED OUT BY YOUR LOCAL ELECTRICIAN

#### PENDANT MOUNTED: DAISY CHAIN MULTIPLE LUMINAIRES (SINGLE DIRECTION)

##### ⚠️ TURN OFF MAIN POWER BEFORE INSTALLATION

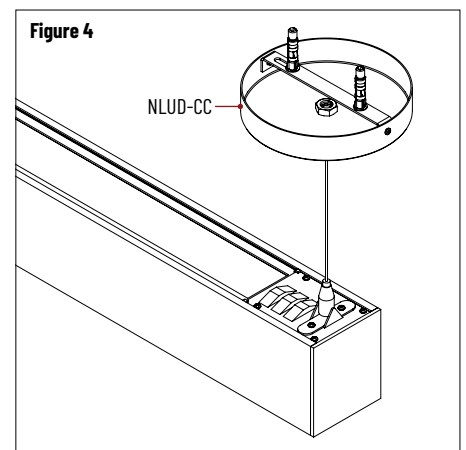
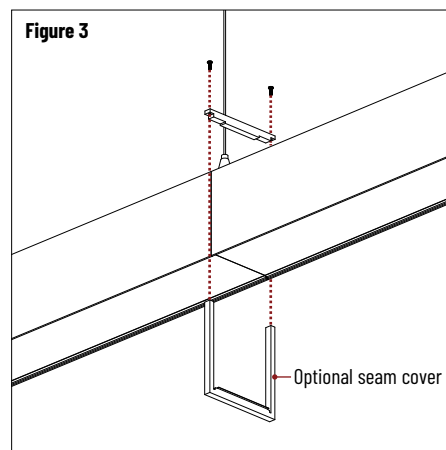
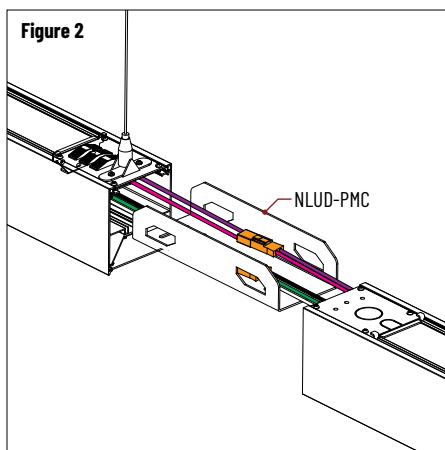
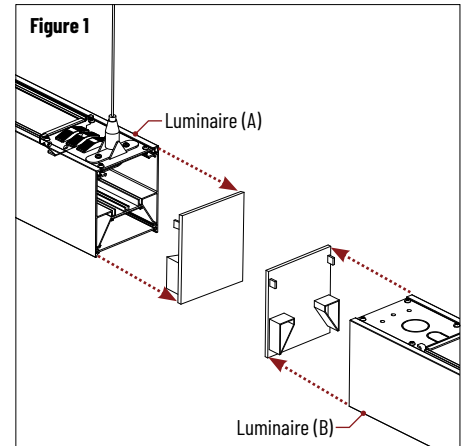
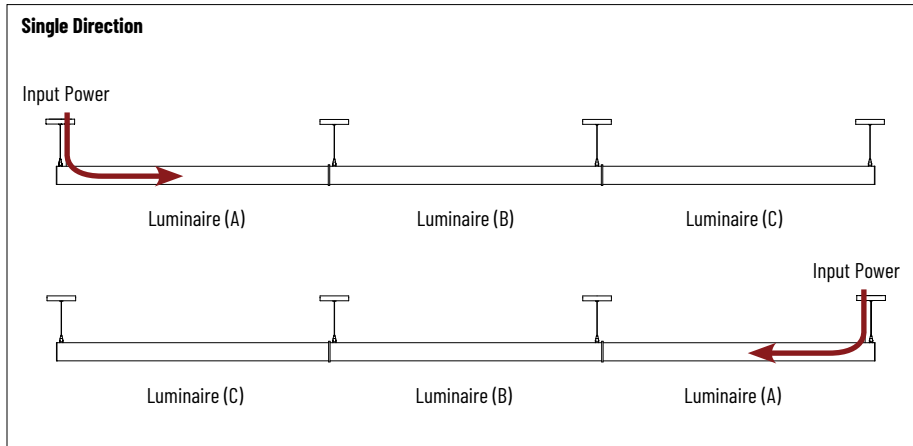
Continue from page 2 for connecting multiple luminaires in a single direction.

1. Remove end cap on switch side from luminaire (A) and end cap on power feed side from luminaire (B). (Figure 1)
2. Connect luminaires' quick connects together. (Figure 2)
3. Insert daisy chain bracket (NLUD-PMC) into luminaires. Optional seam cover may be attached around luminaires. (Figure 3)  
**NOTE:** Be careful not to pinch the wires
4. Attach aircraft mounting kit (NLUD-CC) to luminaire's (B) suspension point. (Figure 4)

For additional luminaires, repeat steps 1 to 4. **NOTE:** Maximum wattage per run is 420W, operating over max. wattage will lead to failure and void warranty.

REQUIRES: NLUD-PMC (Ordered Separately)  
NLUD-CC (Ordered Separately)

Maximum Wattage Per Run: 420W



# Installation Instructions

NLUD-L334

L-Line LED Indirect / Direct Luminaire

READ PRIOR TO ATTEMPTING INSTALLATION  
ALWAYS TURN OFF MAIN POWER BEFORE INSTALLATION  
INSTALLATION SHOULD BE CARRIED OUT BY YOUR LOCAL ELECTRICIAN

## PENDANT MOUNTED: DAISY CHAIN MULTIPLE LUMINAIRES (MULTI-DIRECTION)

### ⚠️ TURN OFF MAIN POWER BEFORE INSTALLATION

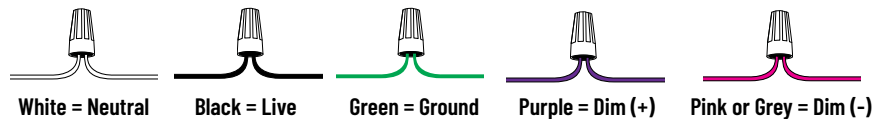
REQUIRES: NLUD-MDPH (Ordered Separately)  
NLUD-PMC (Ordered Separately)  
NLUD-CC (Ordered Separately)

Maximum Wattage Per Run: 420W

1. Connect power cord (NLUD-PCC) to 3-wire male and 2-wire male yellow quick connects provided with wire harness kit (NLUD-MDPH) on "H" stop end. Black, White & Green connect to 3-wire quick connect and Purple & Pink (or Grey) to 2-wire quick connect. (Figure 1)
2. Remove end cap, top LED assembly and tab from luminaire on power feed side. (Figure 2)
3. Attach aircraft gripper to knockout plate with (2) gripper screws. (Figure 3)
4. Slide power cord's "H" stop into tab on knockout plate. Confirm "H" sits between knockout plate. (Figure 4)
5. Connect power cord to the rest of the wire harness kit (NLUD-MDPH), connect wire harness to each luminaire accordingly and return the top LED assembly. (Figure 5)
6. Insert daisy chain bracket (NLUD-PMC) into both luminaires. **Note:** Place wire harness and connections inside daisy chain bracket. (Figure 6)
7. Optional seam cover may be attached around luminaires. (Figure 7)
8. Insert power cord through strain relief assembly to desired length and tighten strain relief cap. (Figure 8)
9. Cut power cord to desired length and strip for wiring. Connect wires to input voltage accordingly:

0-10V DIMMING (Note: cap off 0-10V dimming wires if not used)

- Black (120-347V) = Supply Voltage
  - White = Neutral
  - Green or Copper Wire = Grounding Junction Box Wire
- 0-10V Wiring:
- Purple = Dim (+)
  - Pink or Grey = Dim (-)



9. Carefully insert wires inside junction box and attach mounting plate with (2) plate screws. (Figure 8)
10. Attach canopy to mounting plate with (2) canopy screws. (Figure 9)
11. Assemble aircraft mounting kit(s) and attach to suspension point(s). (Figure 10)

For additional luminaires, use internal quick connects (see page 3). **NOTE:** Maximum wattage per run is 420W, operating over max. wattage will lead to failure and void warranty.

