

Installation Instructions

NLUD-PCC

Pendant Power & Aircraft Mounting Kit

READ PRIOR TO ATTEMPTING INSTALLATION
ALWAYS TURN OFF MAIN POWER BEFORE INSTALLATION
INSTALLATION SHOULD BE CARRIED OUT BY YOUR LOCAL ELECTRICIAN

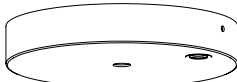
⚠ WARNING - This equipment is intended to be installed only by qualified personnel. The installation must be made in accordance with the current edition to the National Electric Code and all applicable state and local building codes. The final installation must be approved by the appropriate qualified electrical/building inspector(s). Improper installation may result in a fire or electrical hazard. Be sure the electrical power to the circuit has been disconnected before installing this electrical system.

⚠ AVERTISSEMENT - Cet équipement est destiné à être installé uniquement par du personnel qualifié. L'installation doit être faite en conformité avec l'édition actuelle du Code national de l'électricité et toutes étatiques et locales codes du bâtiment applicables. L'installation finale doit être approuvée par l'inspecteur en électricité / bâtiment qualifié approprié(s). Une mauvaise installation peut entraîner un incendie ou un risque électrique. Soyez sûr de la puissance électrique vers le circuit a été coupée avant l'installation de ce système électrique.

PACKAGING CONTENTS



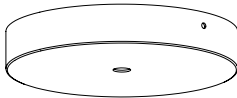
Mounting Plate with Ground



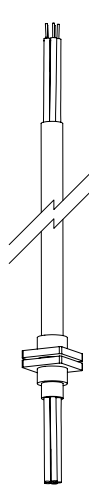
Power Cord Canopy



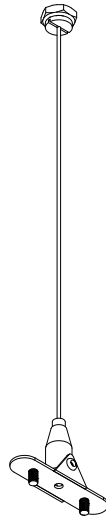
Mounting Plate



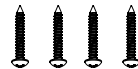
Mounting Kit Canopy



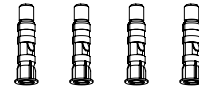
Power Cord



Aircraft Cable Assembly



(4) Mounting Screws



(4) Drywall Anchors



Strain Relief



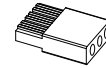
(4) Canopy Screws



(2) Plate Screws

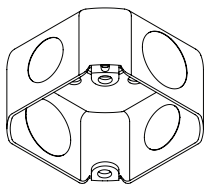


Two Wire Quick Connect

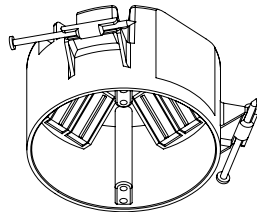


Three Wire Quick Connect

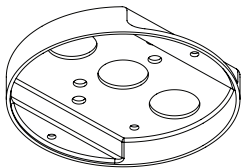
COMPATIBLE JUNCTION BOXES



4" Octagonal Junction Box



4" Round Junction Box



4" Pancake Junction Box

Installation Instructions

NLUD-PCC

Pendant Power & Aircraft Mounting Kit

READ PRIOR TO ATTEMPTING INSTALLATION
ALWAYS TURN OFF MAIN POWER BEFORE INSTALLATION
INSTALLATION SHOULD BE CARRIED OUT BY YOUR LOCAL ELECTRICIAN

POWER FEED CANOPY INSTALLATION

⚠️ TURN OFF MAIN POWER BEFORE INSTALLATION

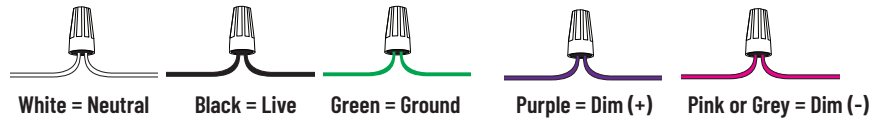
1. Attach (1) aircraft screw to power feed canopy with (1) hex nut. (Figure 1)
2. Turn (1) aircraft gripper 90° and depress to insert aircraft cable. Set length of aircraft cable to desired length and cut excess. (Figure 2)
3. Remove end cap, top LED assembly and tab from LED luminaire on desired power feed location. (Figure 3)
4. Slide power cord's "H" stop into tab on knockout plate. Confirm "H" sits between knockout plate, return the top LED assembly and end cap. (Figure 4)
5. Attach gripper to LED luminaire's knockout plate with (2) gripper screws. (Figure 5)
6. Insert strain relief body through hole in canopy and fasten with top nylon nut. Insert power cord through strain relief assembly to desired length and tighten strain relief cap. (Figure 6)

⚠️ PROCEED TO LUMINAIRE INSTALLATIONS INSTRUCTIONS FOR SINGLE OR MULTI-DIRECTION POWER CORD

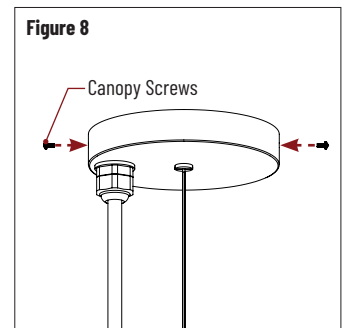
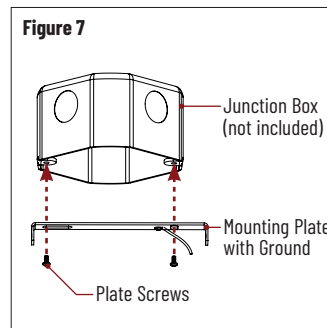
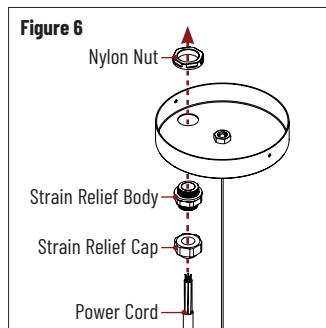
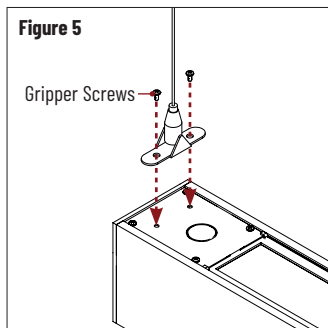
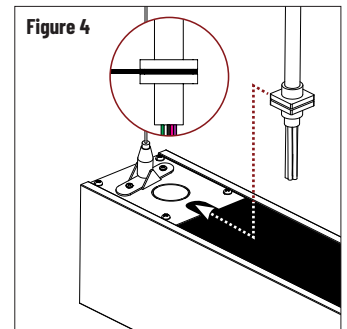
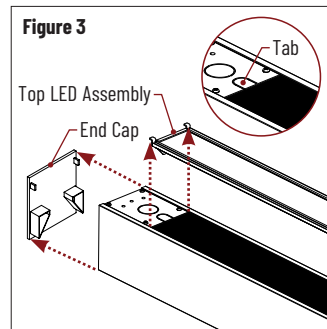
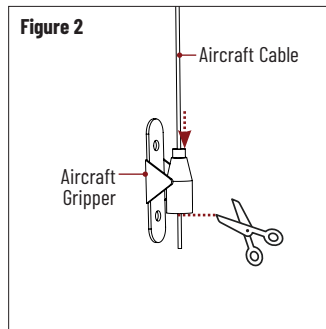
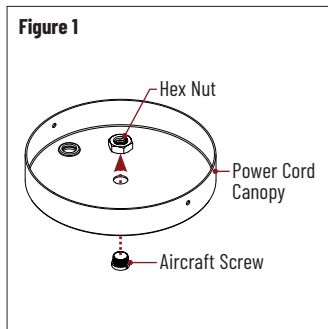
7. Cut power cord to desired length and strip for wiring. Connect wires to input voltage accordingly:

- Black (120-347V) = Supply Voltage
 - White = Neutral
 - Green or Copper Wire = Grounding Junction Box Wire
- 0-10V Wiring:
- Purple = Dim (+)
 - Pink or Grey = Dim (-)

0-10V DIMMING (Note: cap off 0-10V dimming wires if not used)



8. Carefully insert wires inside junction box and attach mounting plate with ground. (Figure 7)
9. Attach power cord canopy to mounting plate with (2) canopy screws. (Figure 8)



Installation Instructions

NLUD-PCC

Pendant Power & Aircraft Mounting Kit

READ PRIOR TO ATTEMPTING INSTALLATION
ALWAYS TURN OFF MAIN POWER BEFORE INSTALLATION
INSTALLATION SHOULD BE CARRIED OUT BY YOUR LOCAL ELECTRICIAN

AIRCRAFT MOUNTING KIT INSTALLATION

⚠️ TURN OFF MAIN POWER BEFORE INSTALLATION

1. Attach (1) aircraft screw to mounting kit canopy with (1) hex nut. (Figure 1)
2. Turn (1) aircraft gripper 90° and depress to insert aircraft cable. Set length of aircraft cable to desired length and cut excess. (Figure 2)
3. Attach gripper to LED luminaire's knockout plate with (2) gripper screws. (Figure 3)
4. Attach mounting plate to ceiling with (2) mounting screws and (2) drywall anchors, if needed. (Figure 4)
5. Attach canopy to mounting plate with (2) canopy screws. (Figure 5)

