

NPR-56RNDC

5"/6" Pearl 120V LED Round Retrofit Downlight

Source: 12W LED
1200lm

PRODUCT DESCRIPTION

Pearl LED Retrofit series is cULus classified for use in existing IC or Non-IC housings manufactured by Nora and others. Retrofit luminaire delivers over 1200 lumens with deep regressed cone reflector for optimal visual cut-off.

FEATURES

- Medium base socket adapter included
- Retrofit existing 5" or 6" recessed housings
- Comfort Dim (warm dimming) is available in 900lm only
- 2700K, 3000K, 3500K, 4000K @ 90+ CRI
- Field changeable optics included (Spot, Narrow Flood and Flood - installed)
- Integral dimmable driver
- 5-year limited warranty
- cULus classified for wet locations

SPECIFICATION

Construction: Trims are constructed of heat dissipating, die-cast aluminum. The aluminum die-cast LED heat sink is threaded to fit the reflector and transfer heat.

Mounting: Luminaire includes friction blades to mount securely to housing.

OPTICS

Three field changeable optics (spot, narrow flood and flood) are included with each LED module. Premium 22° and 26° TIR optics are also available.

Retrofit: Pearl retrofit series includes medium base screw-socket adapter (NRA-21ISM) for retrofitting into existing medium base downlight housings. GU24 socket adapter is available for use with GU24 housings, must specify NRA-212SM.

ELECTRICAL

Input Voltage: 120V

Lumens / Wattage: 1200lm / 12W (900lm w/ Comfort Dim)

Color Temperature: 2700K, 3000K, 3500K, 4000K

Color Rendering Index: 90+CRI

Beam Spread: 29° Spot, 44° Narrow Flood, 61° Flood

Operating Temperature: 0°C to 25°C

Lifetime: 50,000 hours @ L70

Comfort Dim: Comfort Dim color tunes the temperature from a bright 3100K, to a romantic and comfortable 2000K on a gradual, even curve. Available in 900lm only.

Dimming: Triac (leading edge) or ELV (trailing edge)

[Click Here](#) or check complete dimmer list at

www.NoraLighting.com in the "Compatibility" page under "Resources" tab

COMPATIBLE HOUSINGS

Retrofit is compatible with most 5" & 6" IC and Non-IC housings by Nora and others.

Fire Box

- [NFBC-5INCATA](#) 5" ICAT Fire Box
- [NFBC-5LMRATA*](#) 5" ICAT Dedicated LED Fire Box
- [NFBC-6INCATA](#) 6" ICAT Fire Box
- [NFBC-6LMRATA*](#) 6" ICAT Dedicated LED Fire Box

New Construction

- [NHIC-5LMRAT*](#) 5" ICAT Dedicated LED
- [NHIC-5LMRAT/277*1](#) 5" ICAT Dedicated LED, 277V
- [NHIC-527LMRAT*](#) 5" ICAT Shallow Dedicated LED
- [NHIC-501QAT](#) 5" ICAT Line Voltage
- [NHIC-527QAT](#) 5" ICAT Shallow Line Voltage
- [NHIC-6LMRAT*](#) 6" ICAT Dedicated LED
- [NHIC-6LMRAT/277*1](#) 6" ICAT Dedicated LED, 277V
- [NHICCP-6LMRAT*](#) 6" Chicago Plenum Dedicated LED
- [NHIC-27LMRAT*](#) 6" ICAT Shallow Dedicated LED
- [NHIC-17QAT](#) 6" ICAT Line Voltage
- [NHIC-17QNBAT](#) 6" ICAT Line Volt (No Bracket)
- [NHIC-27QAT](#) 6" ICAT Shallow Line Voltage
- [NH-26Q](#) 6" Line Voltage
- [NH-27Q](#) 6" Shallow Line Voltage
- [NHIC-6G24ATFL](#) 6" ICAT GU24

Remodel

- [NHRIC-5LMRAT*](#) 5" ICAT Dedicated LED
- [NHRIC-527LMRAT*](#) 5" ICAT Shallow Dedicated LED
- [NHRIC-504QAT](#) 5" ICAT Line Voltage
- [NHRIC-527QAT](#) 5" ICAT Shallow Line Voltage
- [NHR-504Q](#) 5" Line Voltage
- [NHRIC-6LMRAT*](#) 6" ICAT Dedicated LED
- [NHRIC-27LMRAT*](#) 6" ICAT Shallow Dedicated LED
- [NHRIC-17QAT](#) 6" ICAT Line Voltage
- [NHRIC-17QNBAT](#) 6" ICAT Line Volt (No Bracket)
- [NHRIC-27QAT](#) 6" ICAT Shallow Line Voltage
- [NHR-26Q](#) 6" Line Voltage
- [NHR-27Q](#) 6" Shallow Line Voltage

* Nora LED Dedicated housings are cULus listed for use only with Nora LED Retrofits.

¹ Housings include a step down transformer

Accessories: Luminaire can accommodate (1) hex louver and (1) translucent deco collar or opaque snoot, no accessory holder is required, see page 2.

LABELS AND LISTINGS

- cULus classified for Wet Locations
- RoHS compliant
- [5-Year Limited Warranty](#)
- Certified to the high efficacy requirements of California Title 24 JA8-2022



Type

Project

Catalog No.

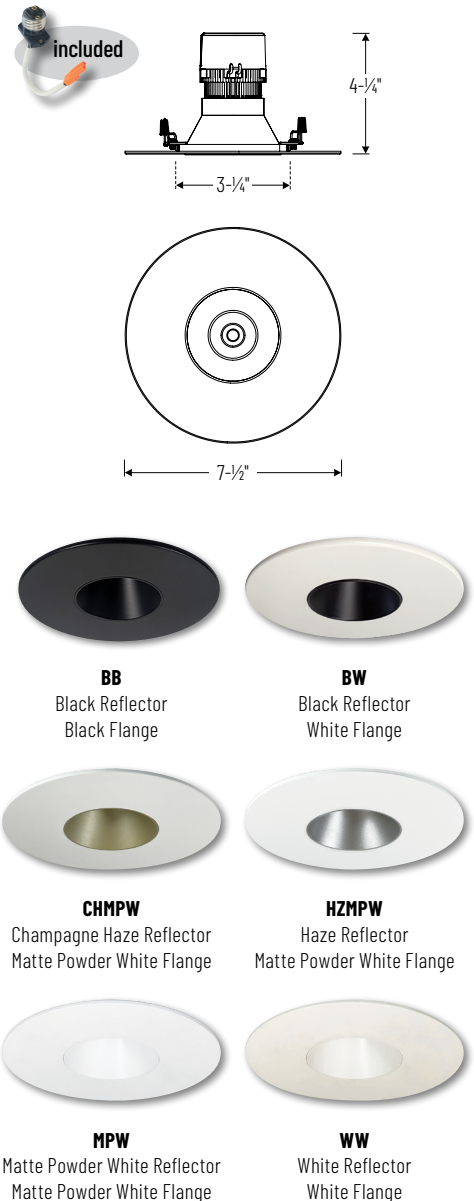
Notes

Performance Data

| Part Number | Lumens | CCT | Optic |
|-------------------------|--------|-------|--------|
| NPR-56RNDC40XMPW | 1218lm | 4000K | Spot |
| NPR-56RNDC40XMPW | 1225lm | 4000K | Narrow |
| NPR-56RNDC40XMPW | 1200lm | 4000K | Flood |

Delivered lumens will vary depending on CCT, optic and finish

PRODUCT IMAGES & DIMENSIONS



5"/6" Pearl 120V LED Round Retrofit Reflector with Round Aperture

| Color Temperature | Finish |
|-----------------------------------|---|
| NPR-56RNDC27X = 2700K | BB = Black / Black |
| NPR-56RNDC30X = 3000K | BW = Black / White |
| NPR-56RNDC35X = 3500K | CHMPW = Champagne / Matte Powder White |
| NPR-56RNDC40X = 4000K | HZMPW = Haze / Matte Powder White |
| NPR-56RNDCDX = Comfort Dim | MPW = Matte Powder White |
| | WW = White / White |

Example: **NPR-56RNDC27XWW** = 5"/6" Pearl 120V LED Round Retrofit Reflector with Round Aperture, 2700K, White finish

Pearl LED Retrofit Accessories

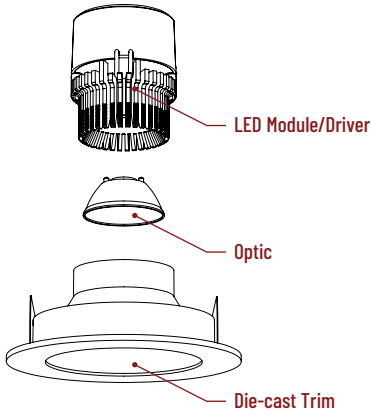
5"/6" Pearl LED Round Retrofit Downlight

| |
|-------------|
| Type |
| Project |
| Catalog No. |
| Notes |

FIELD CHANGEABLE OPTICS

Pearl luminaires include spot, narrow flood and flood optics. Optics can be changed in the field by removing LED module from die-cast trim. Replacement optics include an optional frosted lens.

Note: Premium TIR optics are not compatible with Comfort Dim LED modules.



Frosted Optics

NIO-REFL38FR 60° Optic
NIO-REFL60FR 73° Optic

Replaces optics that are included with each LED module.



Premium TIR Optics

NIO-REFLTIR15 22° Optic
NIO-REFLTIR25 26° Optic

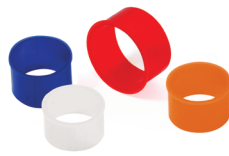
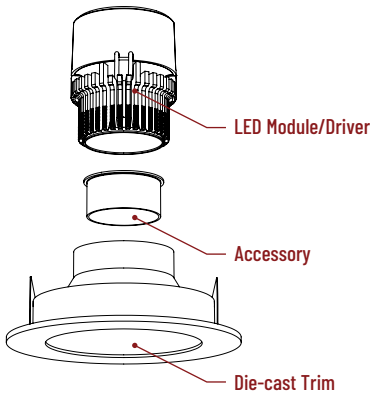
Premium TIR (total internal reflection) optics create optimal spot and narrow flood beam spread.

Not compatible with Comfort Dim (CDX) LED module

ACCESSORIES

Pearl accessories can be added at any point in the design process. Accessories easily install between LED module and die-cast trim.

Luminaire will accommodate (1) hex louver and (1) collar accessory, no accessory holder required.



Translucent Decorative Collar

NIO-AS14(color) 5/8" length
NIO-AS19(color) 3/4" length
NIO-AS26(color) 1" length
Color:
AM (amber), **BLU** (blue), **FR** (frosted), **R** (red)

Translucent collars color the aperture with the specified color while producing white general light. Collars are available in different lengths. Use to add interest, create a theme, match a theme or define a space.



Opaque Collar Snoot

NIO-AS14(color) 5/8" length
NIO-AS19(color) 3/4" length
NIO-AS26(color) 1" length
Color:
MPW (matte powder white), **WH** (white)

Opaque snoot greatly reduces aperture brightness while preserving light output.



Hex Cell Louver

NIO-HC Black
 Hex cell louver subtly reduces aperture brightness by reducing light output by about 20%.

PHOTOMETRICS

5"/6" Pearl LED Round Retrofit Downlight

Type

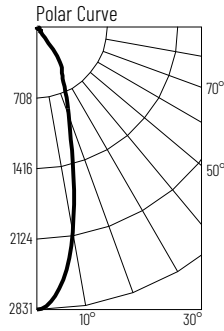
Project

Catalog No.

Notes

Test Information

Test Number: NTR1885R1
 Part Number: NPR-56RNDC40XWW
 Beam Spread: 29° Spot
 Lumens: 1218lm
 Wattage: 11.89W
 Efficacy: 102pw
 CCT / CRI: 4000K / 90 CRI
 Spacing Criteria (0°-180°): 0.48
 Spacing Criteria (90°-270°): 0.48



Illuminance at a Distance

| Distance from Luminaire | FC at Nadir | Beam Diameter |
|-------------------------|-------------|---------------|
| 4' | 177fc | 2' |
| 6' | 78.7fc | 3' |
| 8' | 44.2fc | 4'-1" |
| 10' | 28.3fc | 5'-1" |
| 12' | 19.7fc | 6'-1" |

Zonal Lumen Summary

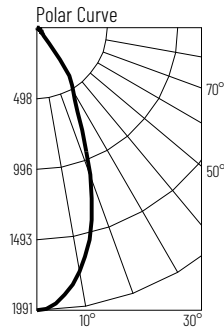
| Zone | Lumens | % Luminaire |
|--------|--------|-------------|
| 0-30 | 928 | 76.2 |
| 0-40 | 1122 | 92.1 |
| 0-60 | 1194 | 98.1 |
| 0-90 | 1218 | 100 |
| 90-180 | 0 | 0 |
| 0-180 | 1218 | 100 |

Candela Table

| Vertical Angles | Candela |
|-----------------|---------|
| 0 | 2831 |
| 5 | 2547 |
| 15 | 1324 |
| 25 | 716 |
| 35 | 346 |
| 45 | 58 |

Test Information

Test Number: NTR1886R1
 Part Number: NPR-56RNDC40XWW
 Beam Spread: 44° Narrow Flood
 Lumens: 1225lm
 Wattage: 11.91W
 Efficacy: 103pw
 CCT / CRI: 4000K / 90 CRI
 Spacing Criteria (0°-180°): 0.7
 Spacing Criteria (90°-270°): 0.7



Illuminance at a Distance

| Distance from Luminaire | FC at Nadir | Beam Diameter |
|-------------------------|-------------|---------------|
| 4' | 124fc | 3'-2" |
| 6' | 55.3fc | 4'-10" |
| 8' | 31.1fc | 6'-5" |
| 10' | 19.9fc | 8' |
| 12' | 13.8fc | 9'-7" |

Zonal Lumen Summary

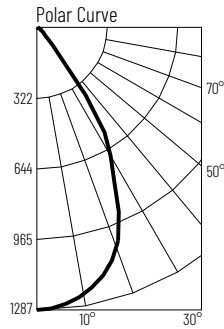
| Zone | Lumens | % Luminaire |
|--------|--------|-------------|
| 0-30 | 932 | 76.1 |
| 0-40 | 1128 | 92.1 |
| 0-60 | 1200 | 98 |
| 0-90 | 1225 | 100 |
| 90-180 | 0 | 0 |
| 0-180 | 1225 | 100 |

Candela Table

| Vertical Angles | Candela |
|-----------------|---------|
| 0 | 1991 |
| 5 | 1906 |
| 15 | 1444 |
| 25 | 771 |
| 35 | 338 |
| 45 | 55 |

Test Information

Test Number: NTR1887R1
 Part Number: NPR-56RNDC40XWW
 Beam Spread: 61° Flood
 Lumens: 1200lm
 Wattage: 11.94W
 Efficacy: 100pw
 CCT / CRI: 4000K / 90 CRI
 Spacing Criteria (0°-180°): 0.94
 Spacing Criteria (90°-270°): 0.94



Illuminance at a Distance

| Distance from Luminaire | FC at Nadir | Beam Diameter |
|-------------------------|-------------|---------------|
| 4' | 80.5fc | 4'-8" |
| 6' | 35.8fc | 7'-1" |
| 8' | 20.1fc | 9'-6" |
| 10' | 12.9fc | 11'-11" |
| 12' | 8.9fc | 14'-2" |

Zonal Lumen Summary

| Zone | Lumens | % Luminaire |
|--------|--------|-------------|
| 0-30 | 838 | 69.9 |
| 0-40 | 1089 | 90.8 |
| 0-60 | 1173 | 97.8 |
| 0-90 | 1200 | 100 |
| 90-180 | 0 | 0 |
| 0-180 | 1200 | 100 |

Candela Table

| Vertical Angles | Candela |
|-----------------|---------|
| 0 | 1287 |
| 5 | 1268 |
| 15 | 1146 |
| 25 | 875 |
| 35 | 431 |
| 45 | 65 |

Lumen Output Multipliers

Color Temperature: 2700K (0.9), 3000K (0.92), 3500K (0.97), 4000K (1.0)