

# NS-401QAT/IC

## 4" IC Air-Tight Line Voltage New Construction Housing

Source: 15W max.

Type

Project

Catalog No.

Notes

### PRODUCT DESCRIPTION

Dedicated new construction housing for use in insulated ceilings can be in direct contact with insulation.\* Air-tight construction provides energy savings by reducing the flow of air through the ceiling. The housing is labeled for use with Nora 4" line voltage trims and compatible with all LED retrofits.

### FEATURES

- Air-Tight energy saving by reducing the flow of air through the ceiling
- Internal thermal protection
- cULus listed for through branch circuit wiring
- Quick connect provided
- 24-1/2" Bar hangers with captive nails and alignment foot
- Accommodates 1" maximum ceiling thickness

### CONSTRUCTION

**Plastic Frame:** 0.040 steel frame with integral bar hanger brackets.

**Housing:** 0.035 white baked enamel one-piece drawn steel. Accommodates ceiling thickness from 5/8" to 1".

**Clearance:** "IC" Insulated ceiling housings are direct contact rated. **Not to be used in direct contact with spray foam insulation.**

**Air Flow Restriction:** Housing has factory installed gaskets to restrict airflow from room into ceiling plenum to <2CFM (cubic feet per minute) in accordance with ASTM-283 Air-Tight requirements.

**Socket:** Galvanized steel socket plate adjusts inside housing for optimum light performance. Contains a single medium base socket. Protective cap included to protect socket interior during ceiling painting. Socket plate can be removed in the field to convert to a floating socket.

**Bar Hangers:** Two 13-3/4" to 24-1/2" adjustable bar hangers with captive nails are included on frame. Hanger bars have T-Bar slot and alignment feet. Bar hangers are parallel to junction box, but can be repositioned 90° perpendicular to junction box if desired. "L" Shaped bar hanger foot to align to bottom of construction joist. A T-Bar notch allows easy installation in a suspended ceiling.

### ELECTRICAL

**Input Voltage:** 120V

**Socket:** Medium base

**Lamp:** R/PAR20

**Wattage:** 15W max.

**Junction Box:** Prewired 25 cubic inch 0.060" thick galvanized steel box with seven 1/2" knockouts. Electrical grounding automatic when feeding with grounded steel EMT pipe or flex. All leads are #18AWG wire, the ground wire is connected to the bottom, and quick connectors are supplied on all leads. Maximum of 8 no. 12 AWG through branch circuit conductors suitable for at least 90°C permitted in junction box.

**Romex Strain Relief:** Junction box includes two Romex tabs with two slots at each tab for NM-cables of 12/2 to 14/2. The strain relief allows for easy installation and less materials.


**Quick Connect Feature:** Housing contains three UL approved quick connections that allow insertion of 1/4" stripped solid or tinned standard conductors to be inserted into the connector. Connectors are pre-attached to fixture power, common, and ground circuits.

**Thermal Protector:** Standard UL thermal protector rated for 90°C is affixed to sidewall of housing.

### COMPATIBLE TRIMS

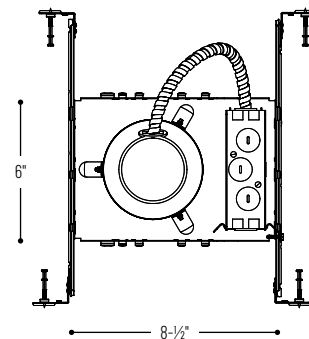
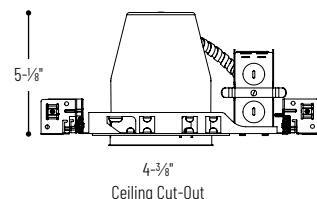
CATALOG NO.	DESCRIPTION
<a href="#">NS-18</a>	4" Round Adjustable Eyeball
<a href="#">NS-22</a> 	4" Round Albalite Lensed Trim
<a href="#">NS-26</a> 	4" Round Frosted Flat Lensed Trim
<a href="#">NS-40</a>	4" Baffle
<a href="#">NS-40P</a>	4" Phenolic Baffle
<a href="#">NS-41</a>	4" Black Baffle
<a href="#">NS-41P</a>	4" Black Phenolic Baffle
<a href="#">NS-44</a>	4" Specular Clear Reflector
<a href="#">NS-44A</a>	4" Adjustable Specular Clear Reflector
<a href="#">NS-44HZ</a>	4" Haze Reflector
<a href="#">NS-46</a>	4" White Reflector
<a href="#">NS-48</a>	4" Wall Wash with Baffle
<a href="#">NS-50</a>	4" Wall Wash with Reflector

### LABELS AND LISTINGS

- cULus Listed for Damp Location w/ Feed Through  Wet Location when used with designated trims
- Meets or exceeds ASTM-283 Air-Tight Requirements



### PRODUCT IMAGES & DIMENSIONS



## 4" IC Air-Tight Line Voltage New Construction Housing

Housing Type

**NS-401QAT/IC:** 4" IC Air-Tight Line Voltage New Construction Housing, labeled for 15W

Example: **NS-401QAT/IC** = 4" IC Air-Tight Line Voltage New Construction Housing