

NTE-865

MAX LED Track Head

Source: 25W LED
2450lm

FEATURES

- Over 75% energy savings when compared to incandescent
- 2700K, 3000K or 4000K at 90 CRI
- One or two circuit track capable
- Track adapters can be customized to J-Style or L-Style
- Dimmable

CONSTRUCTION

Housing: Die-cast aluminum construction dissipates heat for longer life.

Adjustability: 359° horizontal and 90° vertical adjustment

ELECTRICAL

Input Voltage: 120V

Lumens / Wattage: 2450lm / 25W

Color Temperature: 2700K, 3000K, 3500K, 4000K

Color Rendering Index: 90+ CRI

Beam Spread: 20° Spot, 32° Narrow Flood, 54° Flood

Lifetime: 50,000 hours @ L70

Dimming: Triac or ELV

[Click Here](#) or check complete dimmer list at www.NoraLighting.com in the "Compatibility" page under "Resources" tab

One / Two Circuit Conversion: Positive contact (opposite neutral and ground contacts) is preset to "down" position at factory, but may be raised to the higher position to install onto the second circuit of Nora Lighting NT-2300 series two-circuit track.

OPTIONAL ACCESSORIES

NTE-855BD: Barndoor

NT-368: Round Monopoint Canopy

NT-319: Square Monopoint Canopy

LABELS AND LISTINGS

- cETLus Listed for dry locations
- [5-Year Limited Warranty](#)
- FCC compliant
- Certified to the high efficacy requirements of California Title 24 JA8-2022



Type _____

Project _____

Catalog No. _____

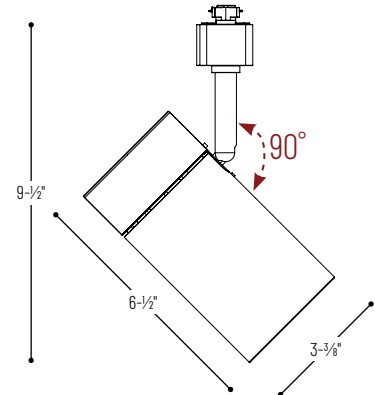
Notes _____

Performance Data

Part Number	Lumens	CCT
NTE-865L927	2100lm	2700K
NTE-865L930	2271lm	3000K
NTE-865L940	2466lm	4000K

Delivered lumens will vary depending on beam spread and finish

PRODUCT IMAGES AND DIMENSIONS



MAX LED Track Head

Color Temperature	Beam Spread	Finish	Adapter Style
NTE-865L927 = 2700K	S = 20° Spot	B = Black	(blank) = H-Style
NTE-865L930 = 3000K	N = 32° Narrow Flood	W = White	/J = J-Style
NTE-865L935 = 3500K	F = 54° Flood		/L = L-Style
NTE-865L940 = 4000K			

Optional Accessories

Description
NTE-855BDB = Barndoor, Black
NTE-855BDW = Barndoor, White
NT-366B = Round Monopoint Canopy, Black
NT-366S = Round Monopoint Canopy, Silver
NT-366W = Round Monopoint Canopy, White
NT-319B = Square Monopoint Canopy, Black
NT-319S = Square Monopoint Canopy, Silver
NT-319W = Square Monopoint Canopy, White

Example: **NTE-865L927NB** = MAX LED Track Head, 2700K / 90 CRI, 32° Narrow Flood, Black Finish, H-Style Adapter

PHOTOMETRICS

MAX LED Track Head

Type

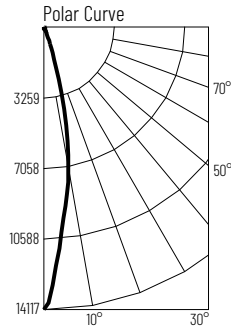
Project

Catalog No.

Notes

Test Information

Test Number: NTT1077R1
 Part Number: NTE-865L940SB
 Beam Spread: 20° Spot
 Lumens: 2156lm
 Wattage: 27.89W
 Efficacy: 77lpw
 CCT / CRI: 4000K / 90 CRI
 Spacing Criteria (0°-180°): 0.36
 Spacing Criteria (90°-270°): 0.36



Illuminance at a Distance

Distance from Luminaire	FC at Nadir	Beam Diameter
12'	98fc	4'-4"
14'	72fc	5'
16'	55.1fc	5'-8"
18'	43.6fc	6'-5"
20'	35.3fc	7'-2"

Zonal Lumen Summary

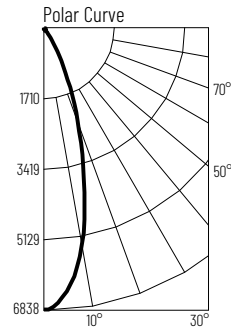
Zone	Lumens	% Luminaire
0-30	2001	92.8
0-40	2064	95.7
0-60	2139	99.2
0-90	2156	100
90-180	0	0
0-180	2156	100

Candela Table

Vertical Angles	Candela
0	14117
5	10296
15	3407
25	378
35	86
45	52

Test Information

Test Number: NTT1085R1
 Part Number: NTE-865L940NW
 Beam Spread: 32° Narrow Flood
 Lumens: 2437lm
 Wattage: 28.63W
 Efficacy: 85lpw
 CCT / CRI: 4000K / 90 CRI
 Spacing Criteria (0°-180°): 0.54
 Spacing Criteria (90°-270°): 0.54



Illuminance at a Distance

Distance from Luminaire	FC at Nadir	Beam Diameter
12'	47.4fc	6'-10"
14'	34.8fc	8'
16'	26.7fc	9'-1"
18'	21.1fc	10'-4"
20'	17.1fc	11'-5"

Zonal Lumen Summary

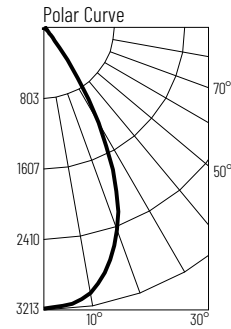
Zone	Lumens	% Luminaire
0-30	2214	90.8
0-40	2362	96.9
0-60	2422	99.4
0-90	2437	100
90-180	0	0
0-180	2437	100

Candela Table

Vertical Angles	Candela
0	6825
5	6324
15	3707
25	1252
35	157
45	38

Test Information

Test Number: NTT1075R1
 Part Number: NTE-865L940FB
 Beam Spread: 54° Flood
 Lumens: 2466lm
 Wattage: 27.88W
 Efficacy: 88lpw
 CCT / CRI: 4000K / 90 CRI
 Spacing Criteria (0°-180°): 0.88
 Spacing Criteria (90°-270°): 0.88



Illuminance at a Distance

Distance from Luminaire	FC at Nadir	Beam Diameter
12'	22.2fc	12'-5"
14'	16.3fc	14'-6"
16'	12.5fc	16'-6"
18'	9.9fc	18'-7"
20'	8fc	20'-8"

Zonal Lumen Summary

Zone	Lumens	% Luminaire
0-30	1958	79.4
0-40	2332	94.6
0-60	2454	99.5
0-90	2466	100
90-180	0	0
0-180	2466	100

Candela Table

Vertical Angles	Candela
0	3199
5	3162
15	2810
25	1920
35	568
45	105

Lumen Output Multipliers

Color Temperature: 2700K (0.86), 3000K (0.93), 4000K (1.00)