

NIO-2RTLND

2" Iolite Round Trimless Downlight with 10° Optic

Source: 12W
850lm

Type _____

Project _____

Catalog No. _____

Notes _____

PRODUCT DESCRIPTION

2" Trimless Iolite downlights have no exposed trim flange and do not extend beyond the ceiling plane. Iolite Trimless requires a Trimless Mud Ring and New Construction housing. Deep regressed cone reflectors optimize visual cut-off.

FEATURES

- Trimless knife edge appearance
- Delivering up to 8352 center beam candlepower (CBCP)
- 2700K, 3000K, 3500K, 4000K @ 90+ CRI
- 10° TIR optic delivers luminous intensity of higher lumen downlights
- 5-Year limited warranty

SPECIFICATION

Construction: Trims are constructed of heat dissipating, die-cast aluminum. The aluminum die-cast LED heat sink is threaded to fit trimless downlight and transfer heat.

Mounting: Luminaire includes friction blades to mount securely to trimless mud ring. A trimless mud ring is required per trimless downlight.

OPTIC

Each luminaire includes 10° TIR optic (Note: cannot be changed in the field)
Luminaire is also available with field changeable optics, [Click Here](#) for more information.

ELECTRICAL

Lumens / Wattage: 850lm / 12W
Color Temperature: 2700K, 3000K, 3500K, 4000K
Color Rendering Index: 90+ CRI
Operating Temperature: Specified by housing
Lifetime: 50,000 hours @ L70
Dimming: Specified by housing

COMPATIBLE HOUSINGS

Luminaires are compatible with respective Iolite housings manufactured by Nora Lighting.

CATALOG NO.	DESCRIPTION
NHIOICD-28LE4	ICAT New Construction, 120-277V; Triac / ELV / 0-10V
NHIOICD-28LUPEQ	ICAT New Construction, 120/277V; Lutron EcoSystem
NHIOICDCP-28LE4	Chicago Plenum, 120-277V; Triac / ELV / 0-10V
NHIOICDCP-28LUPEQ	Chicago Plenum, 120/277V; Lutron EcoSystem

Accessories: Luminaires can accommodate (1) hex louver and (1) translucent deco collar or opaque snoot, no accessory holder is required, see accessories page. A trimless mud ring is required per luminaire.

LABELS AND LISTINGS

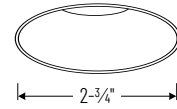
- cULus Listed for Wet Locations
- [5-Year Limited Warranty](#)
- RoHS Compliant
- Certified to the high efficacy requirements of California Title 24 JA8-2022



Performance Data			
Part Number	Lumens	CCT	CBCP
NIO-2RTLND40QWW	877lm	4000K	8352 cd

Delivered lumens will vary depending on CCT and finish

PRODUCT IMAGES AND DIMENSIONS



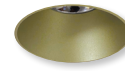
NIO-2RTLND
Non-Adjustable



BB
Black



BZ
Bronze



CH
Champagne Haze



HZ
Haze



MPW
Matte Powder White



WW
White

2" Iolite Round Trimless Downlight with 10° Optic - New Construction Housing & Trimless Mud Ring Required

Color Temperature	Finish
NIO-2RTLND270 = 2700K	BB = Black
NIO-2RTLND300 = 3000K	BZ = Bronze
NIO-2RTLND350 = 3500K	CH = Champagne Haze
NIO-2RTLND400 = 4000K	HZ = Haze
	MPW = Matte Powder White
	WW = White

Compatible Housings

Housing Type
NHIOICD-28LE4 = ICAT New Construction; Triac / ELV / 0-10V
NHIOICD-28LUPEQ = ICAT New Construction; Lutron EcoSystem
NHIOICDCP-28LE4 = Chicago Plenum; Triac / ELV / 0-10V
NHIOICDCP-28LUPEQ = Chicago Plenum; Lutron EcoSystem

2" Iolite Trimless Mud Ring

Description
NIO-TLMR-2RA = 2" Round Trimless Mud Ring

Example: **NIO-2RTLND300WW / NIO-TLMR-2RA** = 2" Iolite Round Trimless Downlight with 10° Optic, 3000K, White finish / 2" Round Trimless Mud Ring

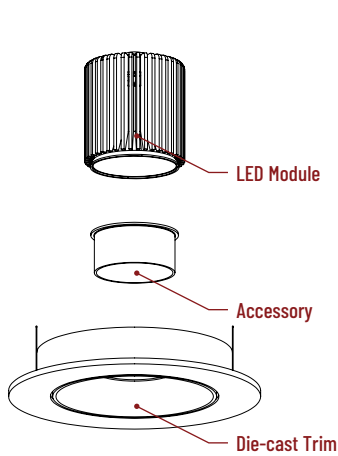
2" Iolite Accessories

2" Iolite Round Trimless Downlight with 10° Optic

Type
Project
Catalog No.
Notes

ACCESSORIES

Iolite accessories can be added at any point in the design process. Accessories easily install between LED module and die-cast trim. Luminaire will accommodate (1) hex louver and (1) collar accessory, no accessory holder required.



Translucent Decorative Collar

NIO-AS14(color) 5/8" length
NIO-AS19(color) 3/4" length
NIO-AS26(color) 1" length
Color:
AM (amber), **BLU** (blue), **FR** (frosted), **R** (red)

Translucent collars color the aperture with the specified color while producing white general light. Collars are available in different lengths. Use to add interest, create a theme, match a theme or define a space.



Opaque Collar Snoot

NIO-AS14(color) 5/8" length
NIO-AS19(color) 3/4" length
NIO-AS26(color) 1" length
Color:
MPW (matte powder white), **WH** (white)

Opaque snoot greatly reduces aperture brightness while preserving light output.

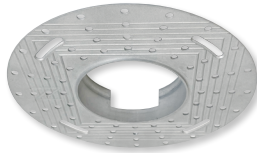
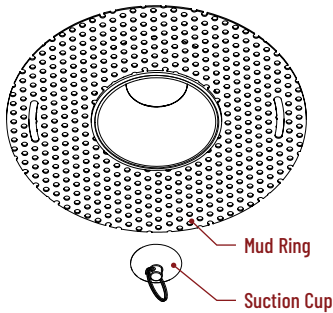


Hex Cell Louver

NIO-HC Black
 Hex cell louver subtly reduces aperture brightness by reducing light output by about 20%.

TRIMLESS

2" Iolite trimless downlights have no exposed trim flange and the result is a minimalist knife edge appearance. A trimless mount mud ring is installed after the drywall and a professional drywall finisher floats the ceiling to blend in the mud ring.



Trimless Mount Mud Ring

NIO-TLMR-2RA
 Mounts trimless downlight with no exposed flange and no extension beyond ceiling plane. Mud ring attaches to drywall. **Only for use with NH10ICD-28 or NH10ICDCP-28 new construction housings and NIO-2RTLND or NIO-2RTLA.**
 Dimensions: 7-7/8" diameter 1/2" thick



Suction Cup for Removal

NIO-TLSUCTION
 Assist removing trimless downlight from finished ceiling after installation. For maintenance on trimless downlight.

PHOTOMETRICS

2" Iolite Round Trimless Downlight with 10° Optic

Type _____

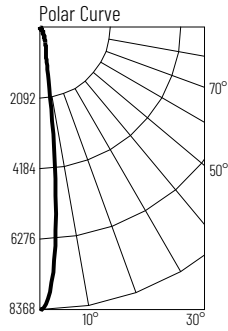
Project _____

Catalog No. _____

Notes _____

Test Information

Test Number: NTR1902R1
 Part Number: NIO-2RTLND40QWW
 Beam Spread: 12° Spot
 Lumens: 877lm
 Wattage: 12.45W
 Efficacy: 70lpw
 CCT / CRI: 4000K / 90 CRI
 Spacing Criteria (0°-180°): 0.22
 Spacing Criteria (90°-270°): 0.22



Illuminance at a Distance

Distance from Luminaire	FC at Nadir	Beam Diameter
8'	130fc	1'-8"
10'	83.5fc	2'-2"
12'	58fc	2'-7"
14'	42.6fc	3'
16'	32.6fc	3'-5"

Zonal Lumen Summary

Zone	Lumens	% Luminaire
0-30	728	82.9
0-40	816	93
0-60	863	98.3
0-90	877	100
90-180	0	0
0-180	877	100

Candela Table

Vertical Angles	Candela
0	8352
5	5441
15	737
25	332
35	139
45	35

Lumen Output Multipliers

Color Temperature: 2700K (0.9), 3000K (0.96), 3500K (0.96), 4000K (1.00)