

# Installation Instructions

## NLOPAC-R6TW

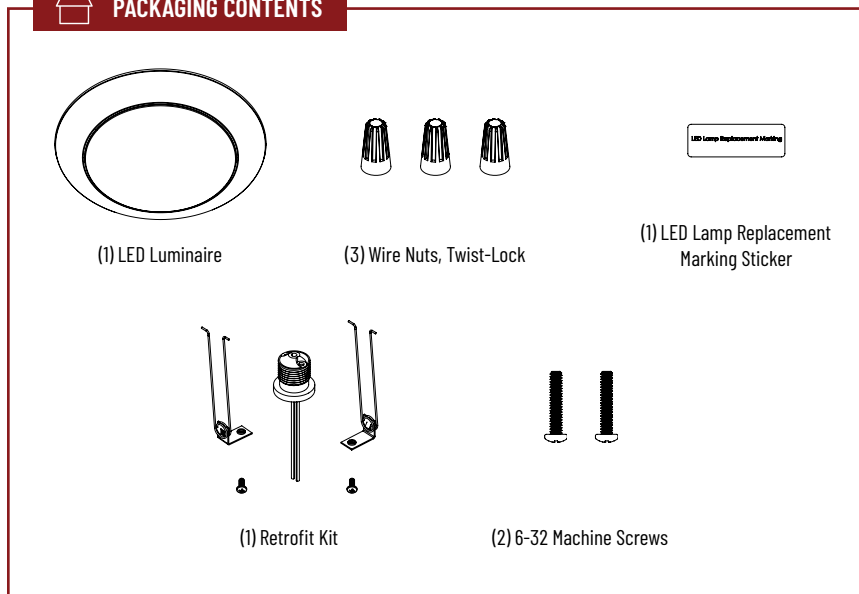
### 6" AC Opal - LED Surface Mount

**READ PRIOR TO ATTEMPTING INSTALLATION**  
**ALWAYS TURN OFF MAIN POWER BEFORE INSTALLATION**  
**INSTALLATION SHOULD BE CARRIED OUT BY YOUR LOCAL ELECTRICIAN**

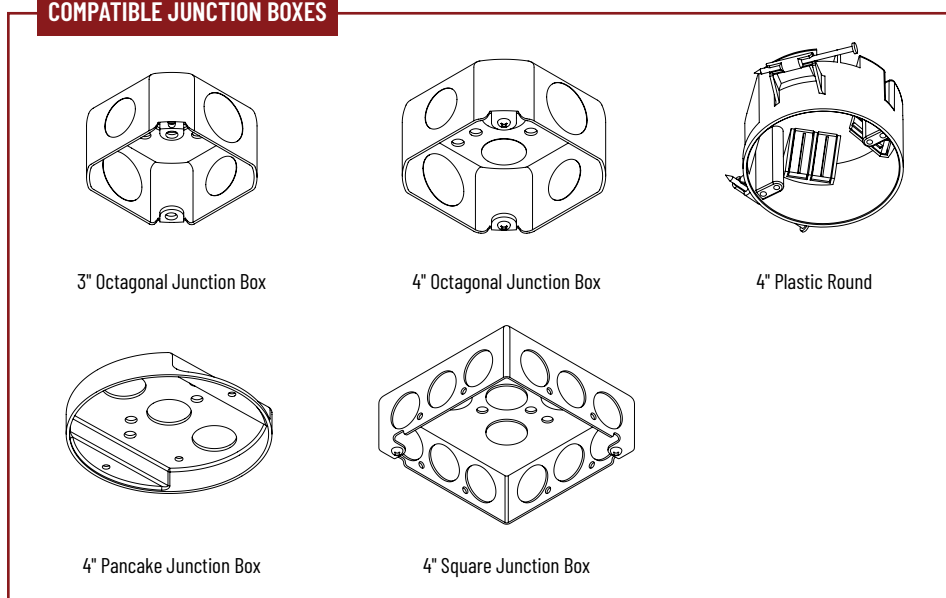
- ⚠ WARNING** - Do not make or alter any open holes in an enclosure of wiring or electrical components during kit installation.
- ⚠ AVERTISSEMENT** - Il est interdit de faire ou de modifier une ouverture dans un boîtier de câblage ou de composants électriques au cours de l'installation du nécessaire.
- ⚠ WARNING** - To prevent wiring damage or abrasion, do not expose wiring to edges of sheet metal or other sharp objects.
- ⚠ AVERTISSEMENT** - Afin de prévenir l'endommagement ou l'abrasion des câbles, éviter tout contact entre ces derniers et le bord d'un objet tranchant tel qu'une tôle.
  - This product must be installed in accordance with the applicable installation code by a person familiar with the construction and operation of the product and the hazards involved.
  - Ce produit doit être installé selon le code d'installation pertinent, par une personne qui connaît bien le produit et son fonctionnement ainsi que les risques inhérents
- ⚠ WARNING** - Risk of fire or electric shock. Luminaires wiring, power supply or other electrical parts may be damaged when drilling for installation of retrofit kit hardware. Inspect wiring and components for damage.
- ⚠ AVERTISSEMENT** - Risque d'incendie ou de choc électrique. Le câblage des luminaires, les blocs d'alimentation ou les autres composants électriques peuvent subir des dommages lors du perçage en vue d'installer la quincaillerie d'un nécessaire de modernisation. Vérifier si les câbles et les composants sont Endomages.

- ⚠ RISK OF FIRE OR ELECTRIC SHOCK.** LED Retrofit Kit Installation requires knowledge of luminaires electrical systems. If not qualified, do not attempt installation. Contact a qualified electrician.
- ⚠ RISQUE D'INCENDIE OU DE CHOC ÉLECTRIQUE.** L'installation de ce nécessaire de modernisation exige une personne familière avec la construction et le fonctionnement du système électrique du luminaire et des risques associés. Toute personne qui n'est pas qualifiée ne doit faire aucune tentative d'installation et doit contacter un électricien qualifié.
- ⚠ RISK OF FIRE OR ELECTRIC SHOCK.** Install this kit only in the luminaires that has the construction features and dimensions shown in the photographs and/or drawings and where the input rating of the retrofit kit does not exceed the input rating of the luminaire.
- ⚠ RISQUE D'INCENDIE OU DE CHOC ÉLECTRIQUE.** N'installer ce nécessaire que dans les luminaires dont les caractéristiques de construction et les dimensions sont conformes à celles illustrées dans les photos et/ou les dessins et dont la puissance d'entrée nominale du nécessaire de modernisation ne dépasse pas celle du luminaire.
  - This retrofit kit is accepted as a component of a luminaire where the suitability of the combination shall be determined by authorities having jurisdiction.
  - Le nécessaire de modernisation est accepté à titre de composant d'un luminaire autorités compétentes.

### PACKAGING CONTENTS



### COMPATIBLE JUNCTION BOXES



### HOUSING DIMENSIONS

Min. Diameter	Min. Height	Max. number of 12AWG through branch wiring
6" (153mm)	5.5" (139mm)	8
5.3" (134mm)	6" (153mm)	8

Install this kit only in luminaires that have the construction features and dimensions described in these instructions, and where the input rating of the retrofit kit does not exceed the input rating of the luminaire.

# Installation Instructions

## NLOPAC-R6TW

### 6" AC Opal - LED Surface Mount

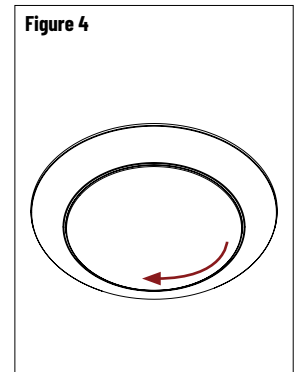
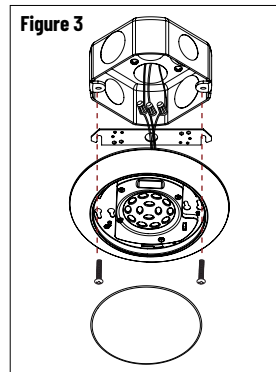
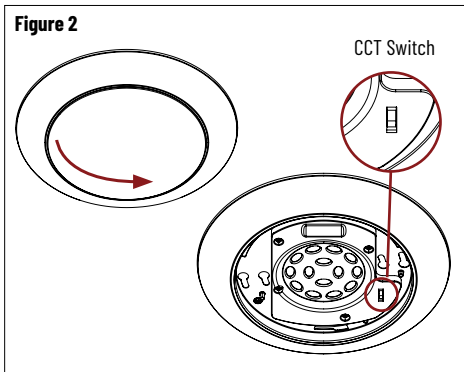
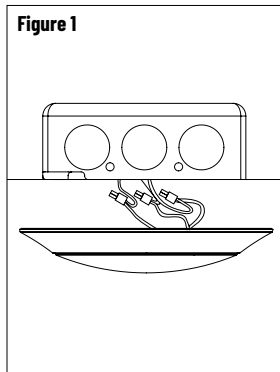
READ PRIOR TO ATTEMPTING INSTALLATION  
ALWAYS TURN OFF MAIN POWER BEFORE INSTALLATION  
INSTALLATION SHOULD BE CARRIED OUT BY YOUR LOCAL ELECTRICIAN

#### JUNCTION BOX INSTALLATION

##### ⚠️ TURN OFF MAIN POWER BEFORE INSTALLATION

1. Connect the luminaire to supply wires with wire nuts (included) (Figure 1)
2. Remove lens by turning counter clockwise to unlock (Figure 2)
3. Select the desired color temperature by using the switch located under lens. (Figure 2)  
**NOTE:** Luminaire is preset to 3000K and may change in shipping / handling / installation.
4. Safely place all wires into the junction box and remove the appropriate label to prepare for installation.  
**NOTE: DO NOT REMOVE ALL LABELS. REMOVING ALL LABELS WILL ALLOW UNWANTED DEBRIS INSIDE THE LUMINAIRE.**
5. Mount luminaire to the junction box (bracket ordered separately, if needed: NLOPAC-4BKT-2) and screws through the keyhole slots. (Figure 3)
6. Replace lens and twist clockwise to lock (Figure 4)

⚠️ **IMPORTANT:** Should mounting holes not line up with hole(s) in junction box, secure the Opal to the ceiling material using compatible screws making sure to completely cover junction box.



#### RETROFIT OVER HOUSING AS LED LAMP REPLACEMENT

##### ⚠️ TURN OFF MAIN POWER BEFORE INSTALLATION

1. Remove existing trim and light bulb from the recessed housing to reveal the medium base socket. If applicable, remove socket from plate.
2. Examine all parts that are not intended to be replaced by the retrofit kit for damage and replace any damage parts prior to the installation of the luminaire
3. Place provided LED Lamp Replacement Marking Sticker inside the housing where visible to installer.
4. Remove luminaire's lens by turning counter clockwise to unlock.
5. Select the desired color temperature by using the switch located under lens. (Figure 5)  
**NOTE:** Luminaire is preset to 3000K and may change in shipping / handling / installation.
6. Attach torsion springs to luminaire with screws and replace lens. (Figure 5)
7. Connect luminaire's wires to medium base socket adapter with wire nuts. (Figure 6)
8. Screw in medium base socket adapter into medium base socket. (Figure 7)
9. Squeeze both torsion springs together and insert the torsion springs to the housing's slot. (Figure 8)
10. Safely place all wires into the housing and carefully push the luminaire into the housing.

