

NTE-866/T

MAX XL LED Track Head for 277V Track System

Source: 38W LED
3650lm

Type _____

Project _____

Catalog No. _____

Notes _____

*** This product family has an extended lead time of approximately 90+ days and a minimum ordering requirement ***

FEATURES

- Over 75% energy savings when compared to incandescent
- 2700K, 3000K, 3500K or 4000K at 90 CRI
- One or two circuit track capable
- 277V 2-Circuit track adapter
- Dimmable

CONSTRUCTION

Housing: Die-cast aluminum construction dissipates heat for longer life.

Adjustability: 359° horizontal and 90° vertical adjustment

ELECTRICAL

Track Adapter: For use with Nordic HTEK Track System

Input Voltage: 277V

Lumens / Wattage: 3650lm / 38W

Color Temperature: 2700K, 3000K, 3500K, 4000K

Color Rendering Index: 90+ CRI

Beam Spread: 24° Spot, 34° Narrow Flood, 60° Flood

Lifetime: 50,000 hours @ L70

Dimming: Triac or ELV

[Click Here](#) or check complete dimmer list at www.NoraLighting.com in the "Compatibility" page under "Resources" tab

LABELS AND LISTINGS

- cETLus Listed for dry locations
- [5-Year Limited Warranty](#)
- FCC compliant
- Certified to the high efficacy requirements of California Title 24 JA8-2025

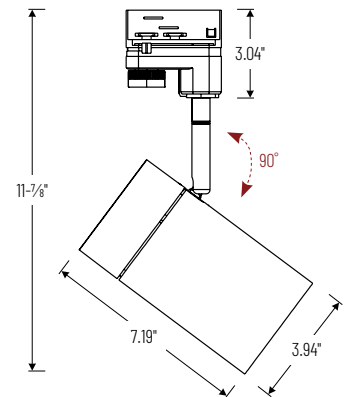


Performance Data

Part Number	Lumens	CCT
NTE-866L927	3200lm	2700K
NTE-866L930	3450lm	3000K
NTE-866L940	3650lm	4000K

Delivered lumens will vary depending on beam spread and finish

PRODUCT IMAGES AND DIMENSIONS



MAX XL LED Track Head

Color Temperature	Beam Spread	Finish
NTE-866L927 = 2700K	S = 24° Spot	B/T = Black
NTE-866L930 = 3000K	N = 34° Narrow Flood	W/T = White
NTE-866L935 = 3500K	F = 60° Flood	
NTE-866L940 = 4000K		

Example: **NTE-866L927NB/T** = MAX XL LED Track Head, 2700K / 90 CRI, 34° Narrow Flood, Black Finish, 277V HTEK Adapter

PHOTOMETRICS

MAX XL LED Track Head

Type

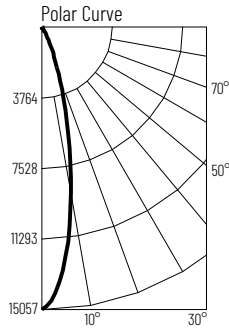
Project

Catalog No.

Notes

Test Information

Test Number: NTT1103R2
 Part Number: NTE-866L940SB
 Beam Spread: 24° Spot
 Lumens: 3440lm
 Wattage: 39.59W
 Efficacy: 87lpw
 CCT / CRI: 4000K / 90 CRI
 Spacing Criteria (0°-180°): 0.4
 Spacing Criteria (90°-270°): 0.42



Illuminance at a Distance

Distance from Luminaire	FC at Nadir	Beam Diameter
10'	151fc	4'-2"
15'	66.9fc	6'-4"
20'	37.6fc	8'-4"
25'	24.1fc	10'-6"
30'	16.7fc	12'-7"

Zonal Lumen Summary

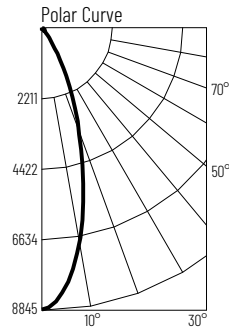
Zone	Lumens	% Luminaire
0-30	3164	92
0-40	3306	93.1
0-60	3413	99.2
0-90	3440	100
90-180	0	0
0-180	3440	100

Candela Table

Vertical Angles	Candela
0	15057
5	13002
15	5257
25	1294
35	194
45	80

Test Information

Test Number: NTT1102R2
 Part Number: NTE-866L940NB
 Beam Spread: 34° Narrow Flood
 Lumens: 3687lm
 Wattage: 39.85W
 Efficacy: 93lpw
 CCT / CRI: 4000K / 90 CRI
 Spacing Criteria (0°-180°): 0.56
 Spacing Criteria (90°-270°): 0.56



Illuminance at a Distance

Distance from Luminaire	FC at Nadir	Beam Diameter
10'	88.3fc	6'
15'	39.2fc	9'
20'	22.1fc	12'-1"
25'	14.1fc	15'-1"
30'	9.8fc	18'-1"

Zonal Lumen Summary

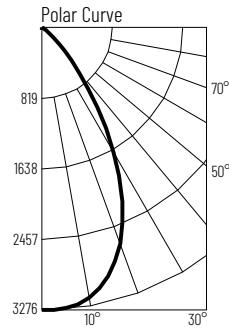
Zone	Lumens	% Luminaire
0-30	3122	84.7
0-40	3490	94.6
0-60	3670	99.5
0-90	3687	100
90-180	0	0
0-180	3687	100

Candela Table

Vertical Angles	Candela
0	8831
5	
15	
25	
35	
45	

Test Information

Test Number: NTT1101R2
 Part Number: NTE-866L940FB
 Beam Spread: 60° Flood
 Lumens: 3261lm
 Wattage: 39.55W
 Efficacy: 82lpw
 CCT / CRI: 4000K / 90 CRI
 Spacing Criteria (0°-180°): 0.94
 Spacing Criteria (90°-270°): 0.94



Illuminance at a Distance

Distance from Luminaire	FC at Nadir	Beam Diameter
10'	32.7fc	11'-7"
15'	14.6fc	17'-5"
20'	8.2fc	23'-2"
25'	5.2fc	29'
30'	3.6fc	34'-8"

Zonal Lumen Summary

Zone	Lumens	% Luminaire
0-30	2117	64.9
0-40	2829	86.8
0-60	3232	99.1
0-90	3261	100
90-180	0	0
0-180	3261	100

Candela Table

Vertical Angles	Candela
0	3275
5	3255
15	2959
25	2204
35	1122
45	383

Lumen Output Multipliers

Color Temperature: 2700K (0.88), 3000K (0.94), 4000K (1.00)