

NIOC-1RNB

1" Iolite Can-less Round Bullnose

Source: 9W LED
950lm

Type

Project

Catalog No.

Notes

PRODUCT DESCRIPTION

1" Iolite can-less downlights can be installed in new construction or remodel applications. Deep regressed cone reflectors optimize visual cut-off.

FEATURES

- No housing required - IC Air-Tight rated
- Easy installation for remodel or new construction applications
- Variety of trim accessories to configure desired appearance
- Quick disconnect allows for extended lengths
- Dedicated CCT or Comfort Dim (warm dim)
- Flood optic, narrow flood and spot optics (included)
- 5-Year limited warranty
- cULus Listed for Wet Locations

SPECIFICATION

Construction: Trims are constructed of heat dissipating, die-cast aluminum. Aluminum die-cast LED module is threaded to fit the trim and transfer heat.

Air Flow Restriction: Luminaire has factory installed gasket to restrict airflow from room into ceiling plenum to <2CFM (cubic feet per minute) in accordance with ASTM-283 Air-Tight requirements.

Clearance: IC rated luminaires are rated for direct contact with insulation (not spray foam insulation), no minimum clearance is required.

Driver Box: Prewired junction box includes 7" quick connect wire to LED module for ease of installation. Junction box includes two ½" trade size knockouts and snap on cover.

Maximum length between luminaire and driver is 40'. For longer remote driver remote run length, consult factory.

Mounting: No housing is required, two tensions steel spring clips secure luminaire to ceiling. Accommodates ceiling thickness up to ¾". New construction frame-in kit is available, see accessories.

OPTICS

Each module includes field changeable optics (spot, narrow flood and flood - preinstalled).

ELECTRICAL

Input Voltage: 120VAC

Lumens / Wattage: 950lm / 9W

Color Temperature: 2700K, 3000K, 3500K or 4000K

Color Rendering Index: 90+CRI

Operating Temperature: 0°-30°C

Lifetime: 50,000 hours @ L70

Comfort Dim: Comfort Dim color tunes the temperature from a bright 2900K, to a romantic and comfortable 1900K on a gradual, even curve. Available in 650lm only.

Dimming: Triac or ELV

Accessories: Luminaire will accommodate (1) hex louver and (1) translucent deco collar or opaque snoot, no accessory holder is required, see accessories page.

LABELS AND LISTINGS

- cULus Listed for Wet Locations
- [5-Year Limited Warranty](#)
- RoHS Compliant
- Certified to the high efficacy requirements of California Title 24 JA8-2022

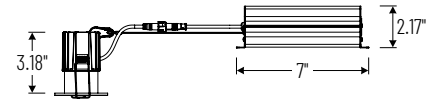


Performance Data

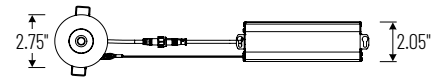
Part Numbers	Lumens	CCT	Optic
NIOC-1RNBMPW NIOC-1LED940X NJCB-09	956lm	4000K	Spot
	909lm	4000K	Narrow
	916lm	4000K	Flood

Delivered lumens will vary depending on CCT, optic and finish

PRODUCT IMAGES & DIMENSIONS



Cut out: 2-5/16"



1" Iolite Can-less Bullnose Trim



MPW
Matte Powder White



WW
White Reflector

Item Number

NIOC-1RNBMPW = Matte Powder White Trim
NIOC-1RNBWW = White Trim

1" Iolite Can-less LED Module



Three field changeable optics included

Color Temperature

NIOC-1LED927X = 2700K
NIOC-1LED930X = 3000K
NIOC-1LED935X = 3500K
NIOC-1LED940X = 4000K
NIOC-1LED9CDX = Comfort Dim (2900K-1900K)

Driver Box



Wattage

NJCB-09 = 9W / 120VAC input / Triac or ELV dimming

Example: **NIOC-1RNBMPW / NIOC-1LED930X / NJCB-09** = 1" Iolite Can-less Bullnose Trim, Matte Powder White finish, 3000K LED Module, 9W Driver Box with 120VAC input; Triac or ELV dimming

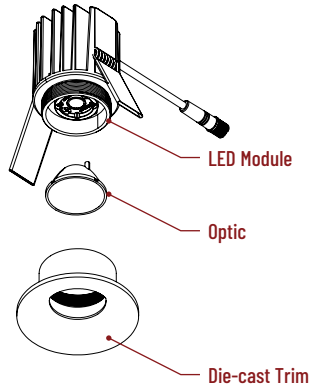
Iolite Can-less Accessories

1" Iolite Can-less Round Bullnose

Type	
Project	
Catalog No.	
Notes	

FIELD CHANGEABLE OPTICS

Iolite luminaires include spot, narrow flood and flood optics. Optics can be changed in the field by removing LED module from die-cast trim. Optional frosted optics are also available.



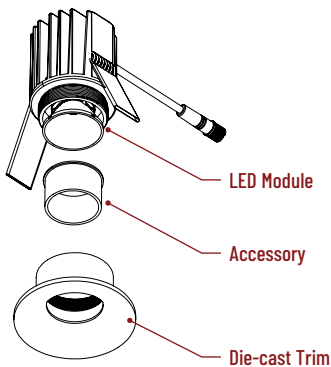
Frosted Optics

NIO-1REFL20FR
NIO-1REFL60FR

40° Optic
60° Optic

TRIM ACCESSORIES

Iolite accessories can be added at any point in the design process. Accessories easily install between LED module and die-cast trim. Luminaire will accommodate (1) hex louver and (1) collar accessory, no accessory holder required.



Translucent Decorative Collar

NIO-1AS15(color) 5/8" length
NIO-1AS19(color) 3/4" length
NIO-1AS24(color) 1" length
Color:
AM (amber), BLU (blue), FR (frosted), R (red)

Translucent collars color the aperture with the specified color while producing white general light. Collars are available in different lengths. Use to add interest, create a theme, match a theme or define a space.



Opaque Collar Snoot

NIO-1AS15(color) 5/8" length
NIO-1AS19(color) 3/4" length
NIO-1AS24(color) 1" length
Color:
MPW (matte powder white), WH (white)

Opaque snoot greatly reduces aperture brightness while preserving light output.



Hex Cell Louver

NIO-1HC Black
Hex cell louver subtly reduces aperture brightness by reducing light output by about 20%.

MOUNTING ACCESSORIES

Iolite canless luminaires are ready to be installed out of the box. Additional mounting accessories can be used to assist during installation or extend length between driver box and luminaire.



Quick Connect Extension Cables

NCA-EW-4
NCA-EW-10

4' Cable
10' Cable

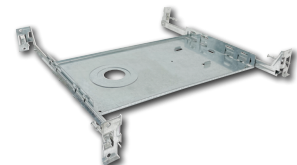
Use to extend the length between luminaire and driver box. Can be connected together to create custom lengths. Maximum length between luminaire and driver is 40'. For longer remote driver remote run length, consult factory.



New Construction Frame-In with Collar

NFC-R231

New construction frame-in with collar can be used to assist installing can-less downlights.



Universal New Construction Frame-In

NF-R124

Universal new construction frame-in can be used to assist installing can-less recessed downlighting.

PHOTOMETRICS

1" Iolite Can-less Round Bullnose

Type

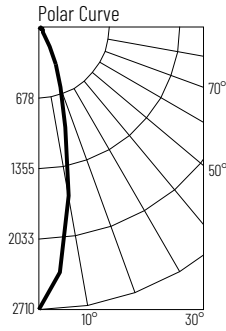
Project

Catalog No.

Notes

Test Information

Test Number: NTR2031R1
 Part Number: NI0C-1RNB40XMPW
 Beam Spread: 25° Spot
 Lumens: 956lm
 Wattage: 9.14W
 Efficacy: 105lpw
 CCT / CRI: 4000K / 90 CRI
 Spacing Criteria (0°-180°): 0.42
 Spacing Criteria (90°-270°): 0.42



Illuminance at a Distance

Distance from Luminaire	FC at Nadir	Beam Diameter
4'	169fc	1'-8"
6'	75.3fc	2'-7"
8'	42.3fc	3'-6"
10'	27.1fc	4'-4"
12'	18.8fc	5'-2"

Zonal Lumen Summary

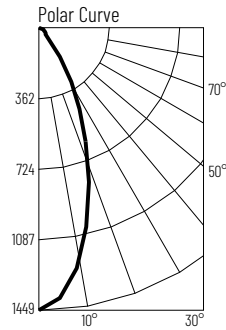
Zone	Lumens	% Luminaire
0-30	660	69.0
0-40	810	84.7
0-60	917	95.9
0-90	956	100
90-180	0	0
0-180	956	100

Candela Table

Vertical Angles	Candela
0	2710
5	2738
15	1056
25	465
35	198
45	52

Test Information

Test Number: NTR2032R1
 Part Number: NI0C-1RNB40XMPW
 Beam Spread: 41° Narrow Flood
 Lumens: 909lm
 Wattage: 9.14W
 Efficacy: 99lpw
 CCT / CRI: 4000K / 90 CRI
 Spacing Criteria (0°-180°): 0.66
 Spacing Criteria (90°-270°): 0.66



Illuminance at a Distance

Distance from Luminaire	FC at Nadir	Beam Diameter
4'	90.5fc	3'-0"
6'	40.2fc	4'-6"
8'	22.6fc	6'-0"
10'	14.5fc	7'-5"
12'	10.1fc	8'-11"

Zonal Lumen Summary

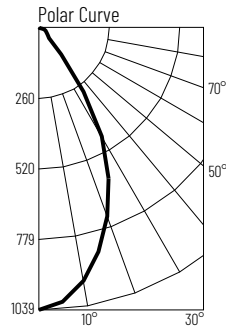
Zone	Lumens	% Luminaire
0-30	580	63.7
0-40	744	81.9
0-60	858	94.4
0-90	909	100
90-180	0	0
0-180	909	100

Candela Table

Vertical Angles	Candela
0	1449
5	1373
15	978
25	538
35	214
45	49

Test Information

Test Number: NTR2033R1
 Part Number: NI0C-1RNB40XMPW
 Beam Spread: 56° Flood
 Lumens: 916lm
 Wattage: 9.12W
 Efficacy: 100lpw
 CCT / CRI: 4000K / 90 CRI
 Spacing Criteria (0°-180°): 0.86
 Spacing Criteria (90°-270°): 0.86



Illuminance at a Distance

Distance from Luminaire	FC at Nadir	Beam Diameter
4'	64.9fc	4'-4"
6'	28.9fc	6'-5"
8'	16.2fc	8'-7"
10'	10.4fc	10'-8"
12'	7.22fc	12'-11"

Zonal Lumen Summary

Zone	Lumens	% Luminaire
0-30	610	66.5
0-40	788	86.0
0-60	874	95.3
0-90	916	100
90-180	0	0
0-180	916	100

Candela Table

Vertical Angles	Candela
0	1039
5	1012
15	853
25	612
35	289
45	55

Lumen Output Multipliers

Color Temperature: 2700K (0.84), 3000K (0.90), 3500K (0.90), 4000K (1.00)