

NIOC-4RNB

4" Iolite Can-less Round Bullnose

Source: 12W LED
1200lm

Type

Project

Catalog No.

Notes

PRODUCT DESCRIPTION

4" Iolite can-less downlights can be installed in new construction or remodel applications. Deep regressed cone reflectors optimize visual cut-off.

FEATURES

- No housing required - IC Airtight rated
- Easy installation for remodel or new construction applications
- Variety of trim accessories to configure desired appearance
- Quick disconnect allows for extended lengths
- Dedicated CCT or Comfort Dim (warm dim)
- Flood optic, narrow flood and spot optics (included)
- 5-Year limited warranty
- cULus Listed for Wet Locations

SPECIFICATION

Construction: Trims are constructed of heat dissipating, die-cast aluminum. Aluminum die-cast LED module is threaded to fit the trim and transfer heat.

Air Flow Restriction: Luminaire has factory installed gasket to restrict airflow from room into ceiling plenum to <2CFM (cubic feet per minute) in accordance with ASTM 283 airtight requirements.

Clearance: IC rated luminaires are rated for direct contact with insulation (not spray foam insulation), no minimum clearance is required.

Driver Box: Prewired junction box includes 16.75" quick connect wire to LED module for ease of installation. Junction box includes two 1/2" trade size knockouts and snap on cover.

Maximum length between luminaire and driver is 40'. For longer remote driver remote run length, consult factory.

Mounting: No housing is required, two tensions steel spring clips secure luminaire to ceiling. Accommodates ceiling thickness up to 3/4". New construction frame-in kit is available, see accessories.

OPTICS

Each module includes field changeable optics (spot, narrow flood and flood - preinstalled).

ELECTRICAL

Input Voltage: 120VAC

Lumens / Wattage: 1200lm / 12W

Color Temperature: 2700K, 3000K, 3500K or 4000K

Color Rendering Index: 90+CRI

Operating Temperature: 0°-30°C

Lifetime: 50,000 hours @ L70

Comfort Dim: Comfort Dim color tunes the temperature from a bright 3100K, to a romantic and comfortable 2000K on a gradual, even curve. Available in 950lm only.

Dimming: Triac or ELV

Accessories: Luminaire will accommodate (1) hex louver and (1) translucent deco collar or opaque snoot, no accessory holder is required, see accessories page.

LABELS AND LISTINGS

- cULus Listed for Wet Locations
- [5-Year Limited Warranty](#)
- RoHS Compliant
- Certified to the high efficacy requirements of California Title 24 JA8-2025

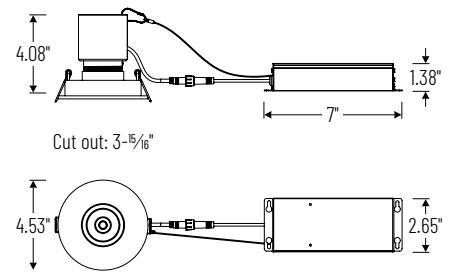


Performance Data

Part Number	Lumens	CCT	Optic
NIOC-4RNBMPW NIOC-24LED940X NJCB-12	1208lm	4000K	26° Spot
	1215lm	4000K	37° NFL
	1210lm	4000K	64° Flood

Delivered lumens will vary depending on CCT, optic and finish

PRODUCT IMAGES & DIMENSIONS



4" Iolite Can-less Round Bullnose Trim



MPW
Bright White



WW
Warm White

Item Number

NIOC-4RNBMPW = Bright White Finish
NIOC-4RNBWW = Warm White Finish

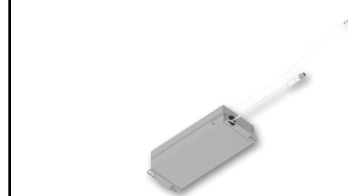
2" & 4" Iolite Can-less LED Module



Color Temperature

NIOC-24LED927X = 2700K
NIOC-24LED930X = 3000K
NIOC-24LED935X = 3500K
NIOC-24LED940X = 4000K
NIOC-24LED9CDX = Comfort Dim (3100K-2000K)

Driver Box



Wattage

NJCB-12 = 12W / 120VAC input / Triac or ELV dimming

Example: **NIOC-4RNBMPW / NIOC-24LED930X / NJCB-12** = 4" Iolite Can-less Bullnose Trim, Bright White finish, 3000K LED Module, 12W Driver Box with 120VAC input; Triac or ELV dimming

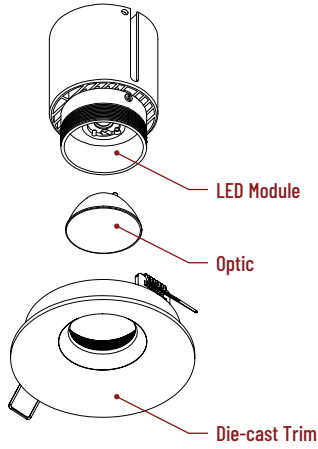
Iolite Can-less Accessories

4" Iolite Can-less Round Bullnose

Type
Project
Catalog No.
Notes

FIELD CHANGEABLE OPTICS

Iolite luminaires include spot, narrow flood and flood optics. Optics can be changed in the field by removing LED module from die-cast trim. Optional frosted and TIR optics are also available.



Frosted Optics

- NIO-REFL38FR** 60° Optic
- NIO-REFL60FR** 73° Optic

Optic assembly includes optional frosted lens.



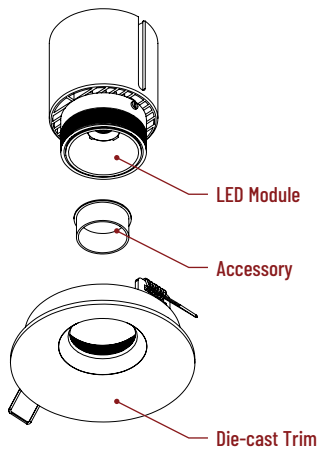
Premium TIR Optics

- NIO-REFLTIR15** 22° Optic
- NIO-REFLTIR25** 26° Optic

TIR optics are not compatible with Comfort Dim LED modules or hex cell louver accessory.

TRIM ACCESSORIES

Iolite accessories can be added at any point in the design process. Accessories easily install between LED module and die-cast trim. Luminaire will accommodate (1) hex louver and (1) collar accessory, no accessory holder required.



Translucent Decorative Collar

- NIO-AS14(color)** 5/8" length
 - NIO-AS19(color)** 3/4" length
 - NIO-AS26(color)** 1" length
- Color:**
AM (amber), BLU (blue), FR (frosted), R (red)

Translucent collars color the aperture with the specified color while producing white general light. Collars are available in different lengths. Use to add interest, create a theme, match a theme or define a space.



Opaque Collar Snoot

- NIO-AS14WH** 5/8" length / warm white finish
- NIO-AS19MPW** 3/4" length / bright white finish
- NIO-AS19WH** 3/4" length / warm white finish
- NIO-AS26WH** 1" length / warm white finish

Opaque snoot greatly reduces aperture brightness while preserving light output.



Hex Cell Louver

- NIO-HC** Black

Hex cell louver subtly reduces aperture brightness by reducing light output by about 20%.

Hex cell louver is not compatible with TIR optics.

MOUNTING ACCESSORIES

Iolite canless luminaires are ready to be installed out of the box. Additional mounting accessories can be used to assist during installation or extend length between driver box and luminaire.



Quick Connect Extension Cables

- NCA-EW-4** 4' Cable
- NCA-EW-10** 10' Cable

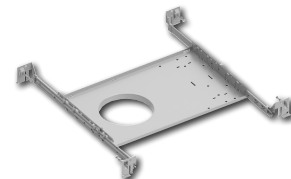
Use to extend the length between luminaire and driver box. Can be connected together to create custom lengths. Maximum length between luminaire and driver is 40'. For longer remote driver remote run length, consult factory.



New Construction Frame-In

- NF-R124**

Universal new construction frame-in can be used to assist installing can-less recessed downlighting.



New Construction Frame-In with Collar

- NFC-R413**

New construction frame-in can be used to assist installing can-less recessed downlighting.

PHOTOMETRICS

4" Iolite Can-less Round Bullnose

Type

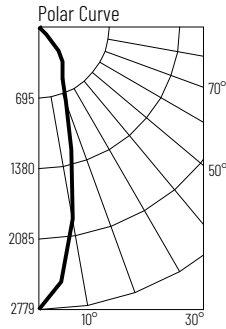
Project

Catalog No.

Notes

Test Information

Test Number: NTR6095R1
 Part Number: NIOC-4RNB40XMPW
 Beam Spread: 26° Spot
 Lumens: 1208lm
 Wattage: 11.68W
 Efficacy: 103lpw
 CCT / CRI: 4000K / 90 CRI
 Spacing Criteria (0°-180°): 0.44
 Spacing Criteria (90°-270°): 0.44



Illuminance at a Distance

Distance from Luminaire	FC at Nadir	Beam Diameter
4'	174fc	1'-11"
6'	77.2fc	2'-10"
8'	43.4fc	3'-8"
10'	27.8fc	4'-7"
12'	19.3fc	5'-7"

Zonal Lumen Summary

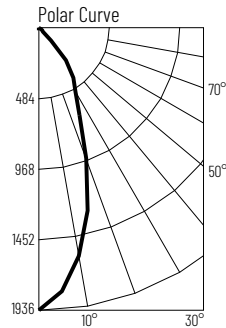
Zone	Lumens	% Luminaire
0-30	787	65.1
0-40	1047	86.6
0-60	1196	98.9
0-90	1208	100
90-180	0	0
0-180	1208	100

Candela Table

Vertical Angles	Candela
0	2779
5	2533
15	1112
25	537
35	418
45	169

Test Information

Test Number: NTR6091R1
 Part Number: NIOC-4RNB40XMPW
 Beam Spread: 37° Narrow Flood
 Lumens: 1215lm
 Wattage: 11.68W
 Efficacy: 104lpw
 CCT / CRI: 4000K / 90 CRI
 Spacing Criteria (0°-180°): 0.6
 Spacing Criteria (90°-270°): 0.6



Illuminance at a Distance

Distance from Luminaire	FC at Nadir	Beam Diameter
4'	121fc	2'-7"
6'	53.8fc	3'-11"
8'	30.3fc	5'-4"
10'	19.4fc	6'-7"
12'	13.4fc	7'-11"

Zonal Lumen Summary

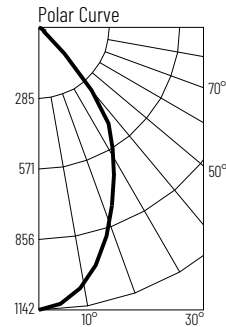
Zone	Lumens	% Luminaire
0-30	789	65
0-40	1025	84.4
0-60	1201	98.9
0-90	1215	100
90-180	0	0
0-180	1215	100

Candela Table

Vertical Angles	Candela
0	1936
5	1888
15	1257
25	575
35	420
45	167

Test Information

Test Number: NTR6087R1
 Part Number: NIOC-4RNB40XMPW
 Beam Spread: 64° Flood
 Lumens: 1210lm
 Wattage: 11.68W
 Efficacy: 104lpw
 CCT / CRI: 4000K / 90 CRI
 Spacing Criteria (0°-180°): 0.9
 Spacing Criteria (90°-270°): 0.9



Illuminance at a Distance

Distance from Luminaire	FC at Nadir	Beam Diameter
4'	71.4fc	5'
6'	31.7fc	7'-5"
8'	17.8fc	9'-11"
10'	11.4fc	12'-5"
12'	7.9fc	14'-11"

Zonal Lumen Summary

Zone	Lumens	% Luminaire
0-30	702	58
0-40	1019	84.2
0-60	1192	98.5
0-90	1210	100
90-180	0	0
0-180	1210	100

Candela Table

Vertical Angles	Candela
0	1142
5	1123
15	960
25	714
35	513
45	186

Lumen Output Multipliers

Color Temperature: 2700K (0.89), 3000K (0.94), 3500K (0.97), 4000K (1.00), Comfort Dim (1.02)

Finish Multipliers

Finish: Bright White (1.00), Warm White (1.00)