

Installation Instructions

NYUD-3

3" Up / Down Wall Mounted Cylinder

READ PRIOR TO ATTEMPTING INSTALLATION
ALWAYS TURN OFF MAIN POWER BEFORE INSTALLATION
INSTALLATION SHOULD BE CARRIED OUT BY YOUR LOCAL ELECTRICIAN

⚠ WARNING - Risk of shock. An electric current can cause painful shock or serious injury unless handled properly. For your safety, always remember to turn off power supply at the fuse or circuit breaker box before you install the fixture and ground the fixture to avoid potential electric shocks and to ensure reliable starting.

⚠ WARNING - Risk of cuts. Some metal parts in the fixture may have sharp edges. To prevent cuts and scrapes, wear gloves when handling the parts.

⚠ IMPORTANT - This equipment is intended to be installed only by qualified personnel. The installation must be made in accordance with the current edition to the National Electric Code and all applicable state and local building codes. The final installation must be approved by the appropriate qualified electrical/building inspector(s). Improper installation may result in a fire or electrical hazard. Be sure the electrical power to the circuit has been disconnected before installing this electrical system.

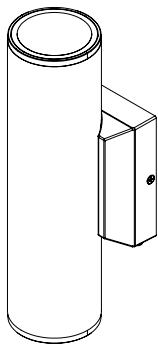
⚠ AVERTISSEMENT - Risque de choc. Un courant électrique peut causer des chocs douloureux. Pour votre sécurité, vérifiez l'alimentation du boîtier du disjoncteur avant d'installer le projecteur et de le mettre à la terre pour éviter tout risque choc et assurer un démarrage fiable.

⚠ AVERTISSEMENT - Risque de coupure. Certaines pièces métalliques de l'appareil peuvent avoir des arêtes vives. Pour éviter les coupures et les éraflures, portez des gants lors de la manipulation des pièces.

⚠ IMPORTANT - Cet équipement est destiné à être installé uniquement par du personnel qualifié. L'installation doit être faite en conformité avec l'édition actuelle du Code national de l'électricité et toutes étatiques et locales codes du bâtiment applicables. L'installation finale doit être approuvée par l'inspecteur en électricité / bâtiment qualifié approprié(s). Une mauvaise installation peut entraîner un incendie ou un risque électrique. Soyez sûr de la puissance électrique vers le circuit a été coupée avant l'installation de ce système électrique.



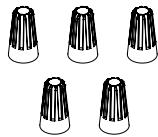
PACKAGING CONTENTS



Up / Down Cylinder

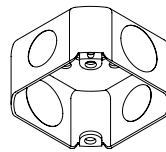


(2) Junction Box Screws

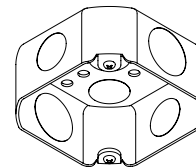


(3) Wire Nuts

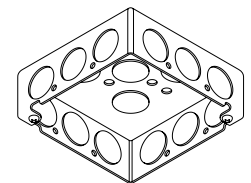
COMPATIBLE JUNCTION BOXES



3" Octagonal



4" Octagonal



4" Square

INSTALLATION

1. Ensure electrical power is off.
 2. Make electrical connections inside junction box (not included). Refer to "WIRING DIAGRAM" on the next page to make the electrical connections.
 3. Attach wall mount bracket to junction box with the screws (included). (Figure 1)
 4. Align the cylinder over wall mount bracket. (Figure 2)
- ⚠ IMPORTANT:** For wet locations, apply silicone or similar caulking between the fixture and mounting surface for a watertight seal.
5. Attach (2) set screws to mount cylinder. (Figure 3)

Figure 1

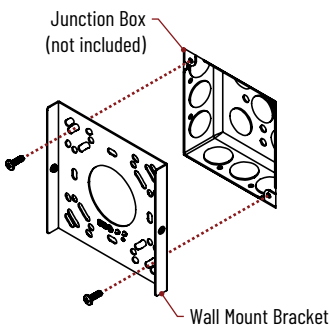


Figure 2

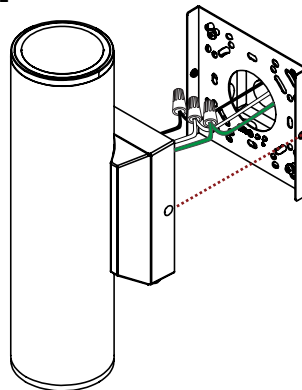
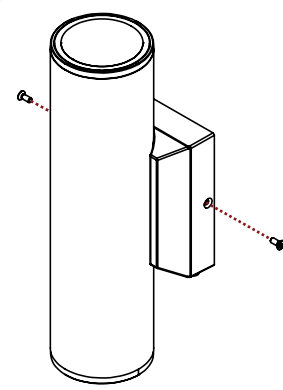


Figure 3



Installation Instructions

NYUD-3

3" Up / Down Wall Mounted Cylinder

READ PRIOR TO ATTEMPTING INSTALLATION
ALWAYS TURN OFF MAIN POWER BEFORE INSTALLATION
INSTALLATION SHOULD BE CARRIED OUT BY YOUR LOCAL ELECTRICIAN

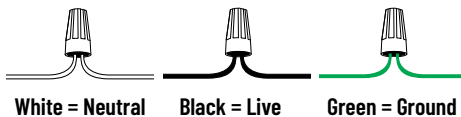
ELECTRICAL CONNECTIONS

Connect wires accordingly:

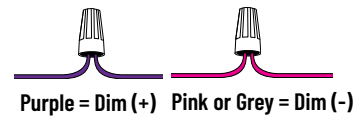
- Black Wire = Live (Hot)
 - White Wire = Neutral
 - Green or Copper Wire = Grounding Junction Box Wire
- 0-10V Wiring:
- Purple = Dim (+)
 - Pink or Grey = Dim (-)

NOTE ON GROUNDING: Many structures carry grounding via steel conduit. If this is the case, if there is no grounding wire, simply leave green wire on fixture unattached. Fixture will be grounded through attachment of conduit to junction box. However, if Romex or PVC conduit is used, ground wire will always be present, and must be connected to green wire on fixture junction box to avoid electrical shock hazard.

120/277V CONNECTION:



0-10V DIMMING CONNECTION:



* cap off 0-10V dimming wires if not used *