

Installation Instructions

NLWPSW-4L334W

4' Wraparound with Selectable Lumens & CCT

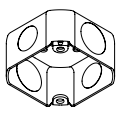
READ PRIOR TO ATTEMPTING INSTALLATION
ALWAYS TURN OFF MAIN POWER BEFORE INSTALLATION
INSTALLATION SHOULD BE CARRIED OUT BY YOUR LOCAL ELECTRICIAN

- ⚠ WARNING** - Risk of fire or Electric shock.
- To reduce the risk of fire, electric shock or injury to persons; read and follow all warning and installation instructions before installing.
 - All installation should be performed by a qualified electrician.
 - To avoid electric shock, ensure power is turned off before installation.
 - All wiring must be installed in accordance with all Electrical Codes.
 - To prevent product malfunction and/or electrical shock, this product must be properly grounded.
 - Suitable for non-insulated frame. DO NOT cover fixture with insulation liner or similar material.
 - DO NOT install fixture on unstable or easily breakable surface.
 - DO NOT exert force on the surface of the fixture.

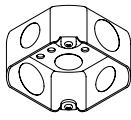
- ⚠ AVERTISSEMENT** - Risque d'incendie ou de décharge électrique.
- Pour réduire le risque d'incendie, de décharge électrique ou de blessure, lire et suivre les avertissements et les instructions d'installation avant d'installer le produit.
 - L'installation doit être effectuée par un électricien qualifié.
 - Pour éviter toute décharge électrique, s'assurer que le courant est coupé avant de procéder à l'installation. Tout le câblage doit être installé conformément aux codes de l'électricité.
 - Pour éviter le mauvais fonctionnement du produit ou une décharge électrique, ce produit doit être correctement mis à la terre.
 - Convient à une surface et à un cadre non isolés. NE PAS recouvrir le luminaire d'une doublure isolante ou autre matière similaire.
 - NE PAS installer le luminaire sur une surface instable ou facilement cassable.
 - NE PAS exercer de force sur la surface du luminaire.



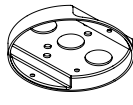
COMPATIBLE JUNCTION BOXES



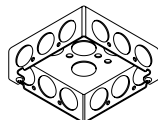
3" Octagonal



4" Octagonal



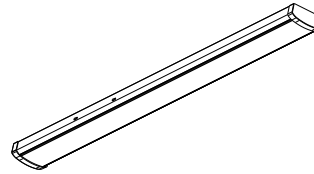
4" Pancake



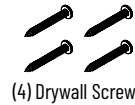
4" Square



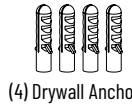
PACKAGING CONTENTS



(1) Luminaire



(4) Drywall Screws



(4) Drywall Anchors



(2) Junction Box Screws

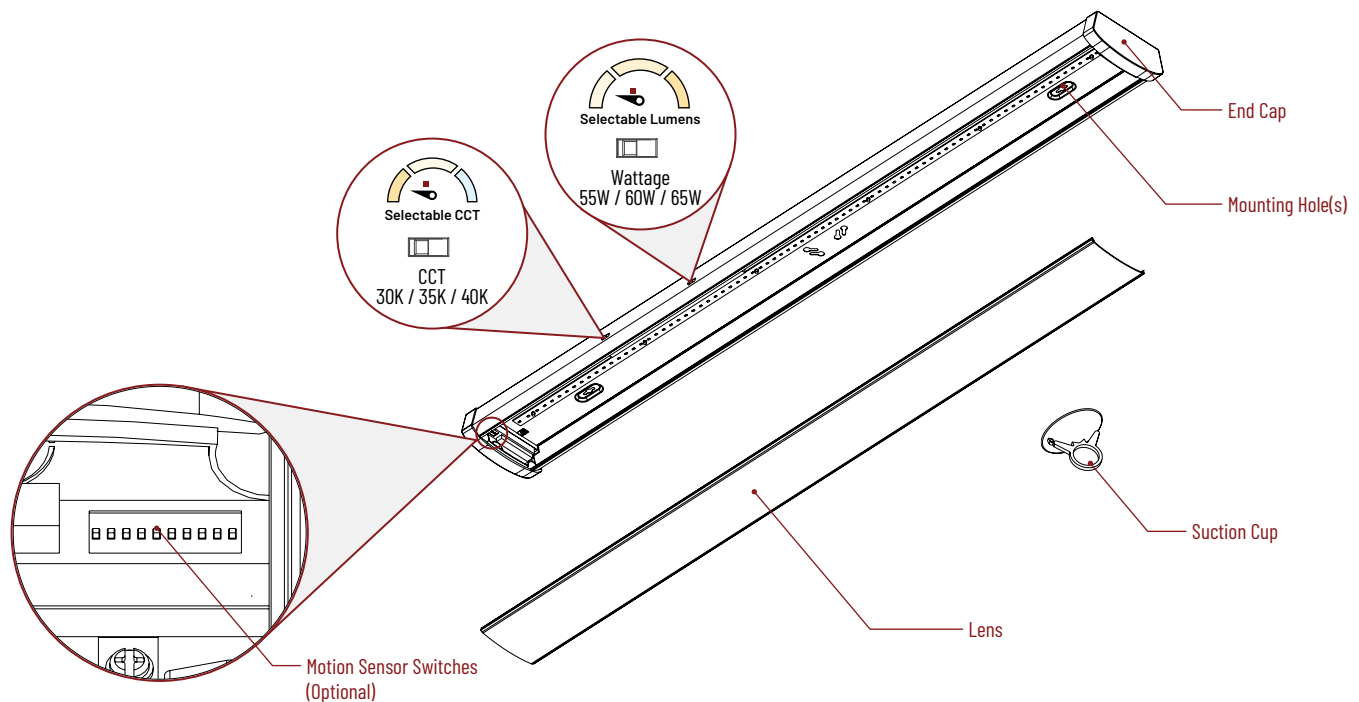


(5) Wire Nuts



(1) Suction Cup

EXPLODED VIEW



Installation Instructions

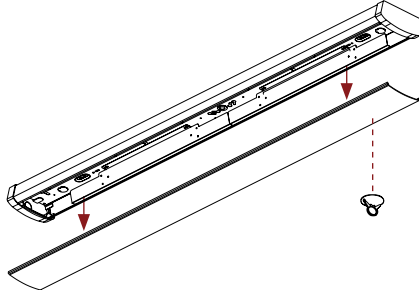
NLWPSW-4L334W

4' Wraparound with Selectable Lumens & CCT

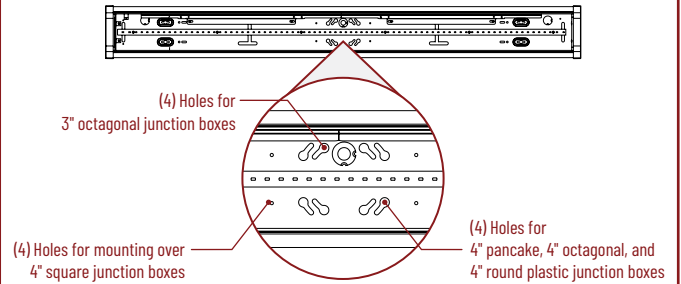
READ PRIOR TO ATTEMPTING INSTALLATION
ALWAYS TURN OFF MAIN POWER BEFORE INSTALLATION
INSTALLATION SHOULD BE CARRIED OUT BY YOUR LOCAL ELECTRICIAN

SURFACE MOUNTED LUMINAIRE INSTALLATION

1 Remove lens with suction cup starting from one side.

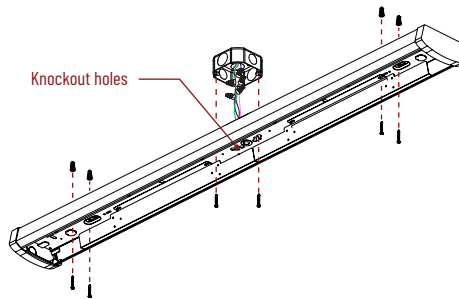


2 Punch out the knockout(s) that correspond to the desired junction box type.

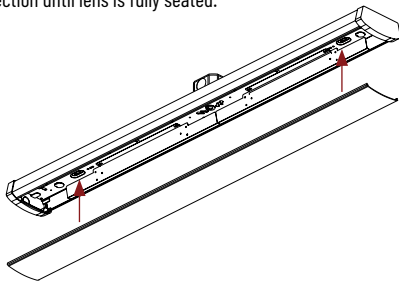


3 Connect power feed wires and fasten luminaire to ceiling with hardware (included).

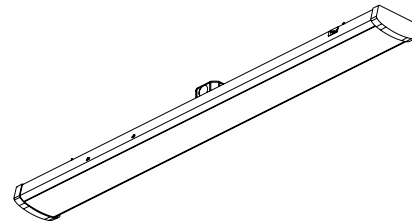
Neutral	White
Ground	Green
Line	Black
Dim (+)	Purple
Dim (-)	Gray (or Pink)



4 Replace the lens by inserting into one side and pressing towards the other direction until lens is fully seated.



5 Installation Complete.
Turn power on to confirm fixture is functioning properly.



Installation Instructions

NLWPSW-4L334W

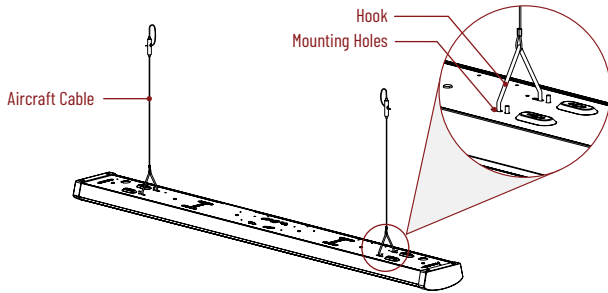
4' Wraparound with Selectable Lumens & CCT

READ PRIOR TO ATTEMPTING INSTALLATION
ALWAYS TURN OFF MAIN POWER BEFORE INSTALLATION
INSTALLATION SHOULD BE CARRIED OUT BY YOUR LOCAL ELECTRICIAN

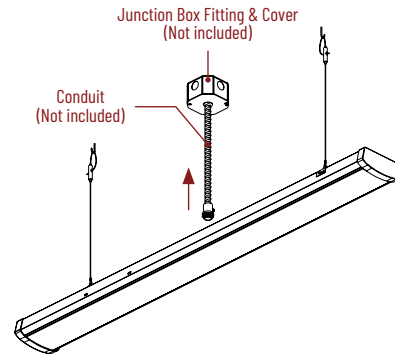
PENDANT MOUNTED LUMINAIRE INSTALLATION

REQUIRES: NLWPSW-PK (Ordered Separately)

1 Attach aircraft cable to each hook and insert hooks into the mounting holes on the fixture. Then attach the aircraft cable to the ceiling.

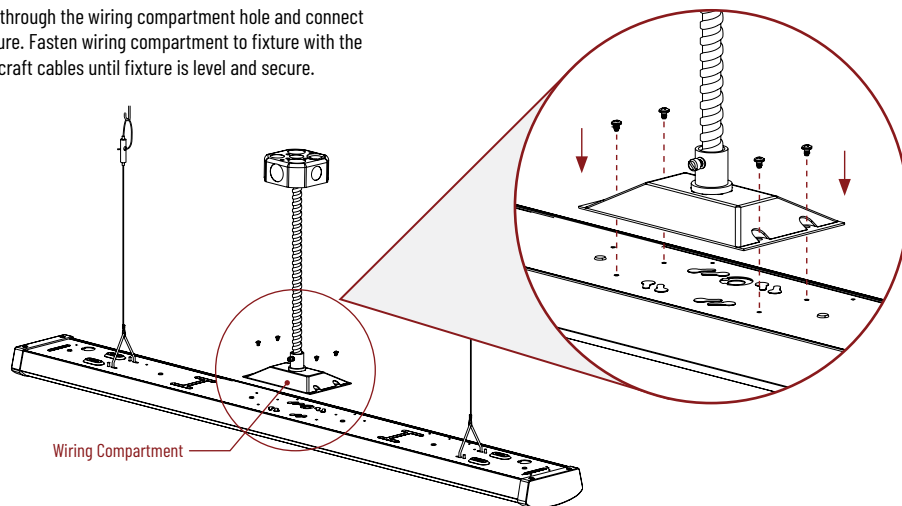


2 Route power and dimming feed wires (if necessary) through conduit installed into ceiling junction box.

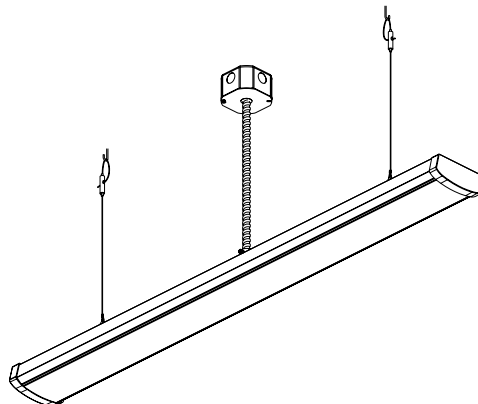


3 Route power and dimming feed wires through the wiring compartment hole and connect power and dimming feed wires to fixture. Fasten wiring compartment to fixture with the provided screws and re-adjust the aircraft cables until fixture is level and secure.

Neutral	White
Ground	Green
Line	Black
Dim (+)	Purple
Dim (-)	Gray (or Pink)



4 Installation complete.



Installation Instructions

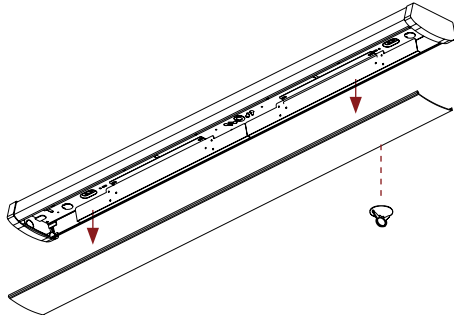
NLWPSW-4L334W

4' Wraparound with Selectable Lumens & CCT

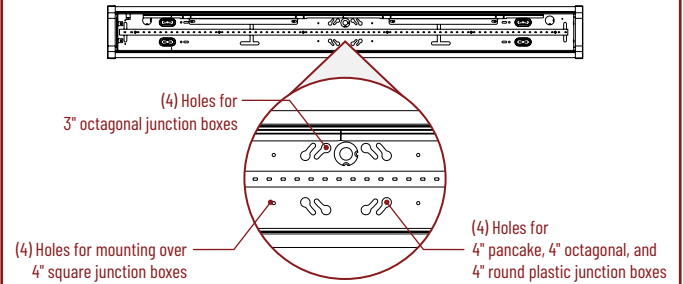
READ PRIOR TO ATTEMPTING INSTALLATION
ALWAYS TURN OFF MAIN POWER BEFORE INSTALLATION
INSTALLATION SHOULD BE CARRIED OUT BY YOUR LOCAL ELECTRICIAN

CONTINUOUS RUN / DAISY CHAIN INSTALLATION

1 Remove lens with suction cup starting from one side.

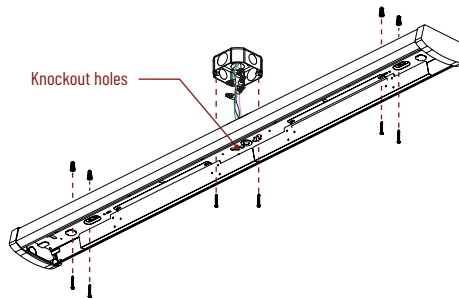


2 Punch out the knockout(s) that correspond to the desired junction box type.

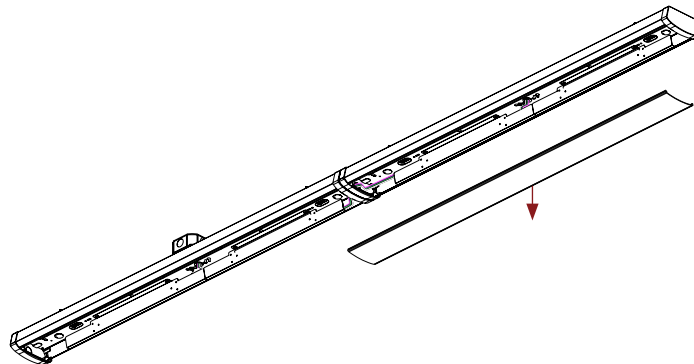


3 Connect power feed wires and fasten luminaire to ceiling with hardware (included).

Neutral	White
Ground	Green
Line	Black
Dim (+)	Purple
Dim (-)	Gray (or Pink)



4 Remove lens from second fixture.



Installation Instructions

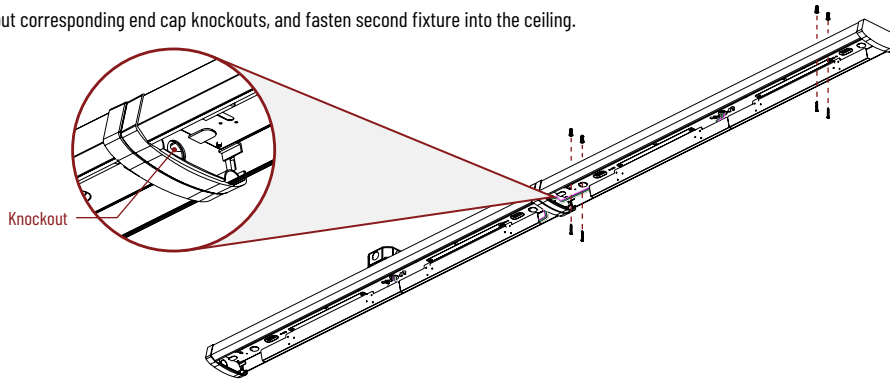
NLWPSW-4L334W

4' Wraparound with Selectable Lumens & CCT

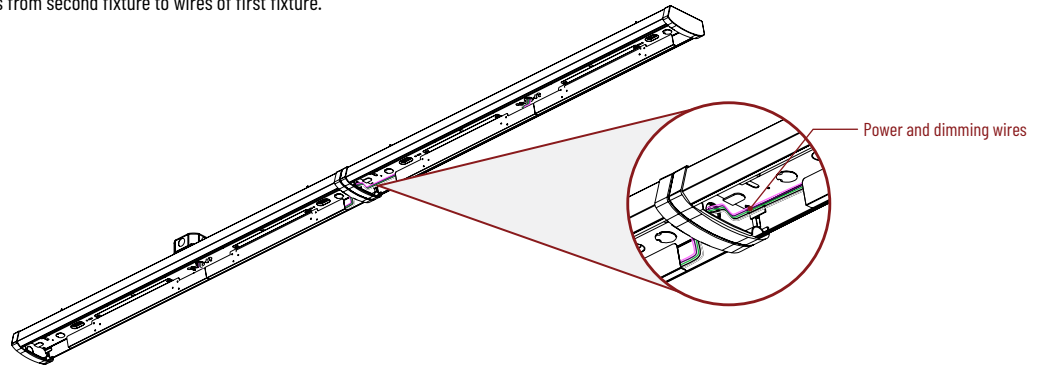
READ PRIOR TO ATTEMPTING INSTALLATION
ALWAYS TURN OFF MAIN POWER BEFORE INSTALLATION
INSTALLATION SHOULD BE CARRIED OUT BY YOUR LOCAL ELECTRICIAN

CONTINUOUS RUN / DAISY CHAIN INSTALLATION (CONTINUED)

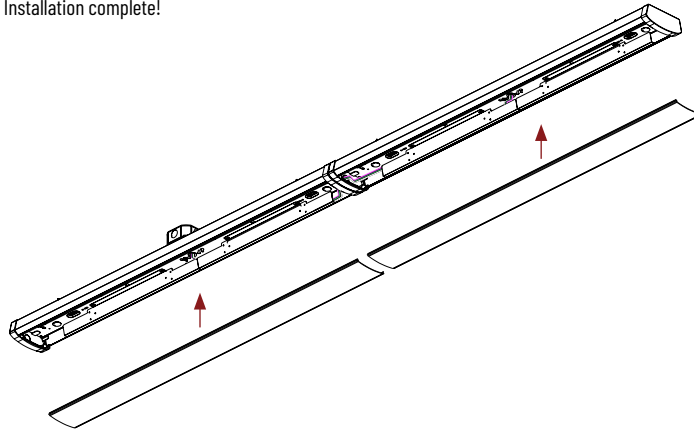
5 Drill out corresponding end cap knockouts, and fasten second fixture into the ceiling.



6 Connect power and dimming wires from second fixture to wires of first fixture.



7 Reinstall lenses on both fixtures. Installation complete!



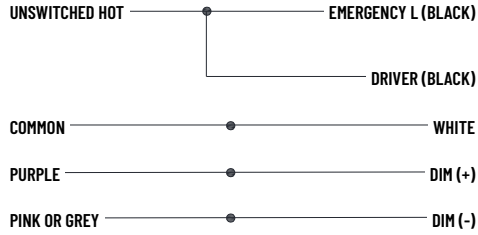
Installation Instructions

NLWPSW-4L334W

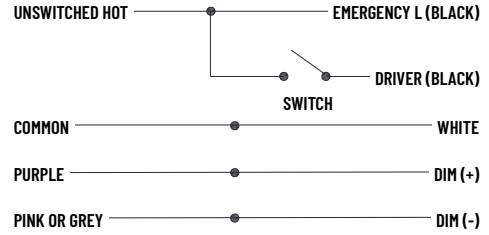
4' Wraparound with Selectable Lumens & CCT

READ PRIOR TO ATTEMPTING INSTALLATION
ALWAYS TURN OFF MAIN POWER BEFORE INSTALLATION
INSTALLATION SHOULD BE CARRIED OUT BY YOUR LOCAL ELECTRICIAN

EMERGENCY WIRING WITHOUT SWITCH



EMERGENCY WIRING WITH SWITCH



Installation Instructions

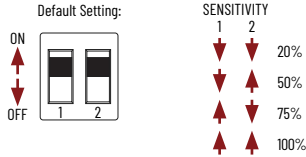
NLWPSW-4L334W

4' Wraparound with Selectable Lumens & CCT

READ PRIOR TO ATTEMPTING INSTALLATION
ALWAYS TURN OFF MAIN POWER BEFORE INSTALLATION
INSTALLATION SHOULD BE CARRIED OUT BY YOUR LOCAL ELECTRICIAN

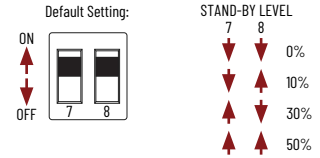
MOTION SENSOR SWITCHES

Detection Range Sensitivity
 Detection sensitivity can be adjusted based on the following settings:



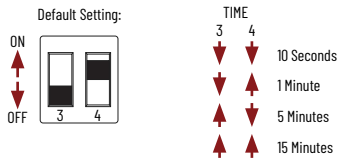
Standby Light Level

After no movement has been detected for hold time and standby time, this setting determines the light level of the fixture. The standby light level can be adjusted based on the following settings:



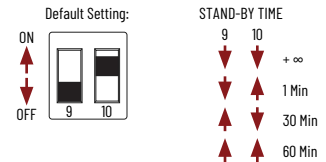
Hold Time

The fixture can be set to stay on for any period between 10 seconds and 15 minutes. Any movement detected will restart the timer. The length of time corresponds to the following settings:



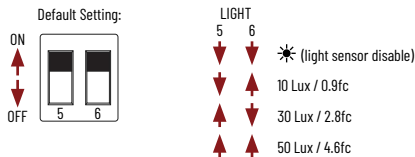
Standby Time

This setting adjusts the amount of time the fixture will remain in standby before adjusting to the standby light level. The standby time can be adjusted based on the following settings:



Light Detection Sensitivity

This setting designates the sensitivity of the sensor to detect external light. When this setting is enabled, the fixture will not turn on if certain levels of light are detected. Sensitivity can be adjusted based on the following settings:



NOTE: All MS are preset to 100% Sensitivity, 1 Minute Hold Time, 50 Lux / 4.6fc, 50% Stand-By Level, and 1 Minute Stand-By Time.