

Installation Instructions

NLWPSW-PK

Pendant Mounting Kit for NLWPSW-4L334W

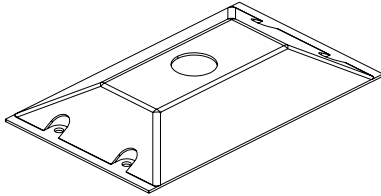
READ PRIOR TO ATTEMPTING INSTALLATION
ALWAYS TURN OFF MAIN POWER BEFORE INSTALLATION
INSTALLATION SHOULD BE CARRIED OUT BY YOUR LOCAL ELECTRICIAN

⚠ FIRE/ELECTRICAL HAZARD: INSTALL ACCORDING TO NATIONAL ELECTRIC CODE AND ANY APPLICABLE MUNICIPAL CODE REQUIREMENTS. - This equipment is intended to be installed only by qualified personnel. The installation must be made in accordance with the current edition to the National Electric Code and all applicable state and local building codes. The final installation must be approved by the appropriate qualified electrical/building inspector(s). Improper installation may result in a fire or electrical hazard. Be sure the electrical power to the circuit has been disconnected before installing this electrical system.

⚠ RISQUE D'INCENDIE / D'ÉLECTRICITÉ: INSTALLER SELON LE CODE ÉLECTRIQUE NATIONAL ET TOUTES LES EXIGENCES RELATIVES AU CODE MUNICIPAL APPLICABLE. - Cet équipement est destiné à être installé uniquement par du personnel qualifié. L'installation doit être faite conformément à l'édition actuelle du Code national de l'électricité et de tous les codes de construction locaux et nationaux applicables. L'installation finale doit être approuvée par un ou plusieurs inspecteurs qualifiés en électricité / bâtiment. Une installation incorrecte peut entraîner un incendie ou un risque électrique. Assurez-vous que l'alimentation électrique du circuit a été déconnectée avant d'installer ce système électrique.



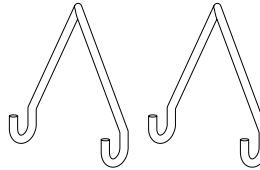
PACKAGING CONTENTS



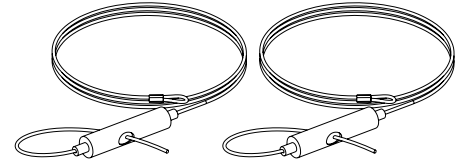
(1) Wiring Compartment



(4) Sheet Metal Screws

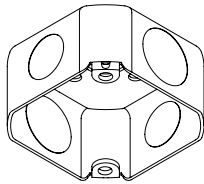


(2) V-Hooks

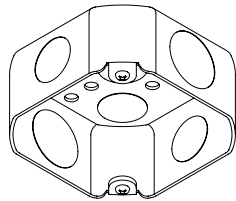


(2) Aircraft Cables

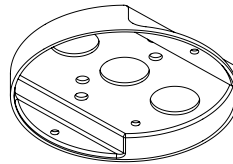
COMPATIBLE JUNCTION BOXES



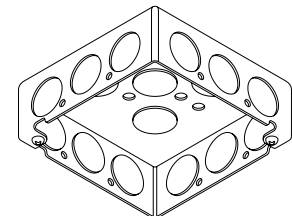
3" Octagonal



4" Octagonal



4" Pancake



4" Square

Installation Instructions

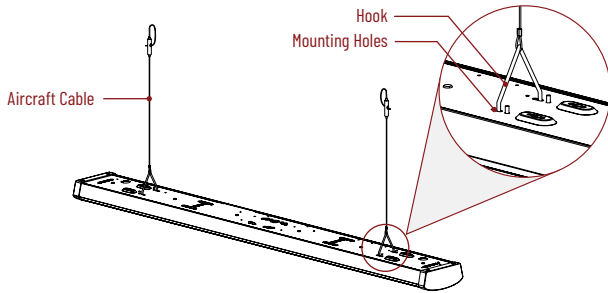
NLWPSW-PK

Pendant Mounting Kit for NLWPSW-4L334W

READ PRIOR TO ATTEMPTING INSTALLATION
ALWAYS TURN OFF MAIN POWER BEFORE INSTALLATION
INSTALLATION SHOULD BE CARRIED OUT BY YOUR LOCAL ELECTRICIAN

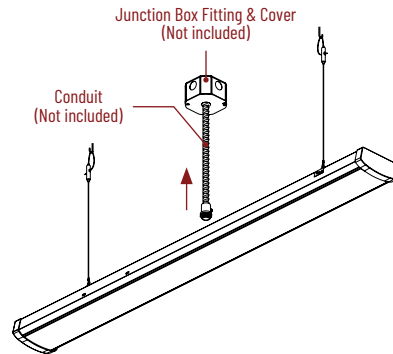
PENDANT MOUNTING INSTALLATION INSTRUCTIONS

- 1** Attach aircraft cable to each hook and insert hooks into the mounting holes on the fixture. Then attach the aircraft cable to the ceiling.



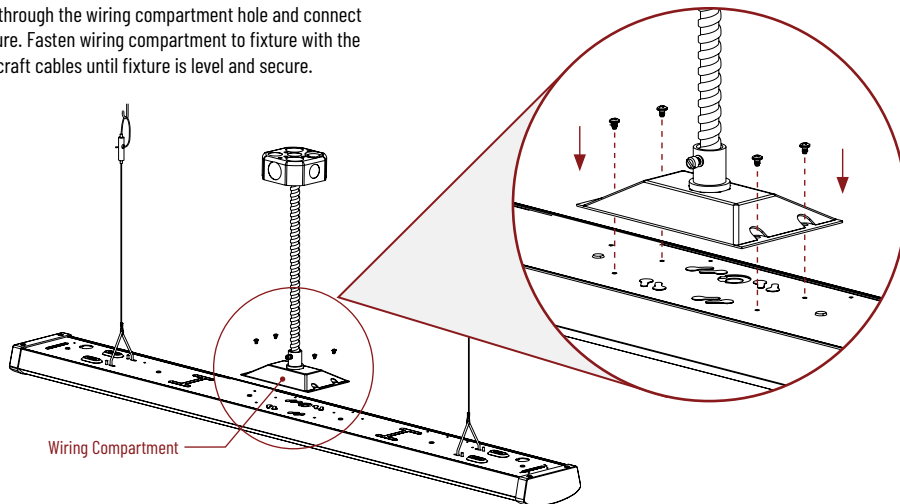
REQUIRES: NLWPSW-PK (Ordered Separately)

- 2** Route power and dimming feed wires (if necessary) through conduit installed into ceiling junction box.



- 3** Route power and dimming feed wires through the wiring compartment hole and connect power and dimming feed wires to fixture. Fasten wiring compartment to fixture with the provided screws and re-adjust the aircraft cables until fixture is level and secure.

Neutral	White
Ground	Green
Line	Black
Dim (+)	Purple
Dim (-)	Gray (or Pink)



- 4** Installation complete.

