

# NFC-R375

New Construction Frame-In with Collar

Type

Project

Catalog No.

Notes

## PRODUCT DESCRIPTION

New construction frame-in with collar can be used to assist installing can-less downlights.

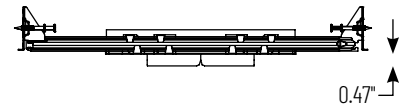
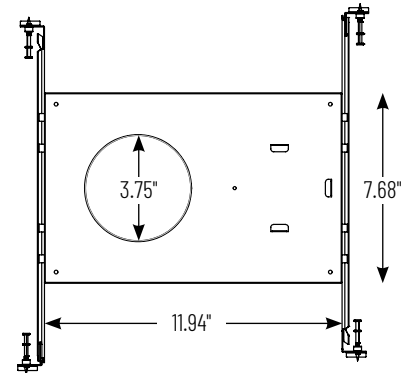
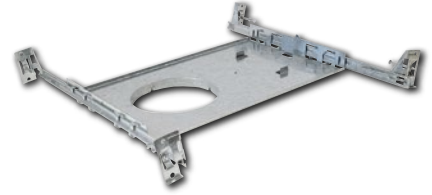
**Mounting:** Bar hangers are adjustable from 13-3/4" to 26" with integral nails. Bar hangers are slotted for T-bar ceiling grids.

## COMPATIBLE LUMINAIRE

[NMC-4RTWMPW](#): 4" M-Curve Adjustable LED Downlight

[NM4-RDC](#): 4" M4 LED Downlight

## PRODUCT IMAGES AND DIMENSIONS



## New Construction Frame-In with Collar

Description

**NFC-R375** = New Construction Frame-In with Collar

## Compatible Luminaire

Description

**NMC-4RTW** = 4" M-Curve Adjustable LED Downlight

**NM4-RDC** = 4" M4 Round LED Downlight

Example: **NFC-R375** = New Construction Frame-In with Collar