

# Installation Instructions

## NPTPSW

### LED Frame Light with Selectable Lumens & CCT

**READ PRIOR TO ATTEMPTING INSTALLATION**  
**ALWAYS TURN OFF MAIN POWER BEFORE INSTALLATION**  
**INSTALLATION SHOULD BE CARRIED OUT BY YOUR LOCAL ELECTRICIAN**

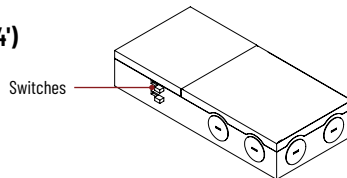
**⚠ IMPORTANT** - This equipment is intended to be installed only by qualified personnel. The installation must be made in accordance with the current edition to the National Electric Code and all applicable state and local building codes. The final installation must be approved by the appropriate qualified electrical/building inspector(s). Improper installation may result in a fire or electrical hazard. Be sure the electrical power to the circuit has been disconnected before installing this electrical system.

**⚠ IMPORTANT** - Cet équipement est destiné à être installé uniquement par du personnel qualifié. L'installation doit être faite en conformité avec l'édition actuelle du Code national de l'électricité et toutes étatiques et locales codes du bâtiment applicables. L'installation finale doit être approuvée par l'inspecteur en électricité / bâtiment qualifié approprié(s). Une mauvaise installation peut entraîner un incendie ou un risque électrique. Soyez sûr de la puissance électrique vers le circuit a été coupée avant l'installation de ce système électrique.

#### CHANGING COLOR TEMPERATURE AND WATTAGE

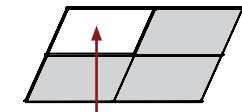
**NOTE: LUMINAIRE IS PRESET AT 3500K & 40W (2'x2') OR 55W (2'x4')**

1. Before installing the luminaire, set the desired color temperature and wattage.
2. Color temperature and wattage switch are located on the side of the driver.
3. Change the switch to the desired color temperature and wattage.



#### INSTALLATION INSTRUCTIONS

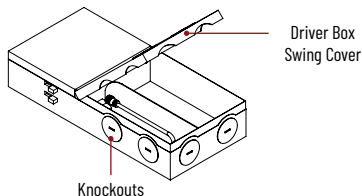
- 1** Decide the location to install the luminaire and remove the ceiling tile. Place the luminaire onto the T-bar facing down and confirm if the luminaire is flush to the T-bar.



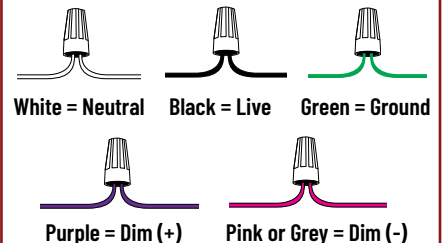
② Place Luminaire Facing Down

① Remove Ceiling Tile

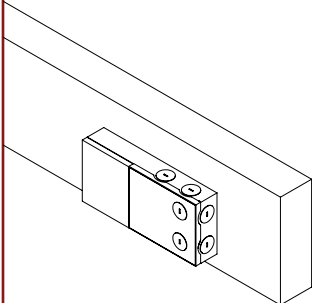
- 2** Open the driver box and remove the appropriate knockout(s)



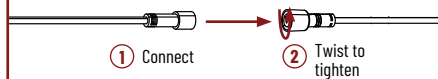
- 3** Route the power supply leads through the driver box knock out and follow the electrical diagram below.



- 4** Safely secure the driver box to the joist, studs or similar fixed structural units.



- 5** Connect the luminaire and driver box quick connects. Twist the screw cap until tightened.



- 6** Re-install the ceiling tile to complete installation. If luminaire does not turn on within 5 seconds; turn off power, remove the ceiling tile and double check all wiring.

