

Installation Instructions

NFJB-R4S

4" IC Airtight Junction Box Housing with Surface Mount Bracket

READ PRIOR TO ATTEMPTING INSTALLATION
ALWAYS TURN OFF MAIN POWER BEFORE INSTALLATION
INSTALLATION SHOULD BE CARRIED OUT BY YOUR LOCAL ELECTRICIAN

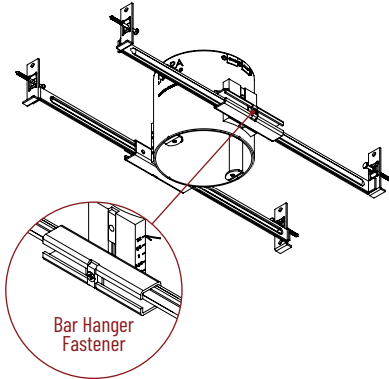
⚠ IMPORTANT - This equipment is intended to be installed only by qualified personnel. The installation must be made in accordance with the current edition of the National Electrical Code and all applicable state and local building codes. The final installation must be approved by the appropriate, qualified electrical/building inspector(s). Improper installation may result in a fire or electrical hazard. Be sure the electrical power to the circuit has been disconnected before installing this electrical system.

⚠ IMPORTANT - Cet équipement est destiné à être installé uniquement par du personnel qualifié. L'installation doit être faite conformément à l'édition actuelle du Code national de l'électricité et à tous les codes de construction locaux et nationaux applicables. L'installation finale doit être approuvée par un ou plusieurs inspecteurs qualifiés en électricité / bâtiment. Une installation incorrecte peut entraîner un incendie ou un risque électrique. Assurez-vous que l'alimentation électrique du circuit a été déconnectée avant d'installer ce système électrique.

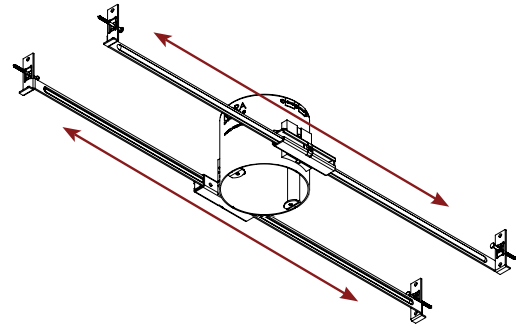
JUNCTION BOX INSTALLATION

⚠ TURN OFF MAIN POWER BEFORE INSTALLATION

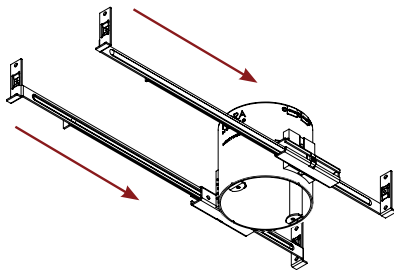
- 1** Loosen the bar hanger fastener to extend the bar hangers.



- 2** Bar hangers may extend from 14-5/8" minimum to 25-1/2" maximum.

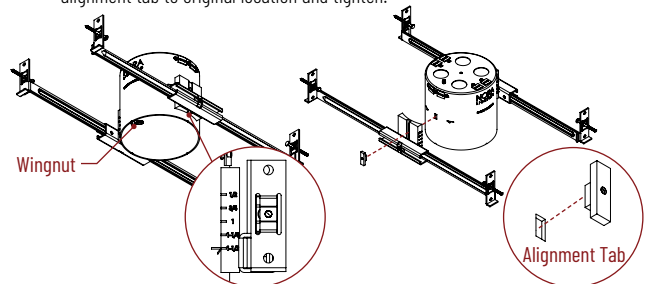


- 3** Slide the junction box to desired location and tighten the bar hanger fastener to secure.

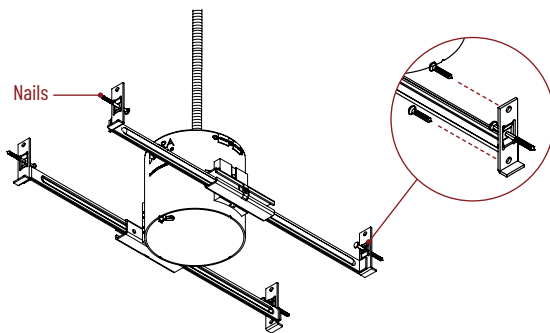


- 4** Slightly loosen the wingnut by a quarter-turn to adjust the junction box flush to the ceiling. Tighten wingnut to secure.

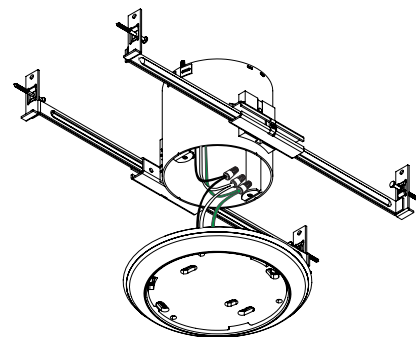
⚠ CAUTION: The bar hanger assembly has an alignment tab. If wingnut is over loosened, it may cause the alignment tab to misalign. Simply bring the alignment tab to original location and tighten.



- 5** Run power supply leads through the knockouts (Romex or BX cable) or NM cable clamps (12AWG or 14AWG cable). Hammer the nails (included) on the bar hangers and drill eight screws (not included) into the mounting joist.



- 6** Connect the same colored power supply lead wires to the fixture wires.



Installation Instructions

NFJB-R4S

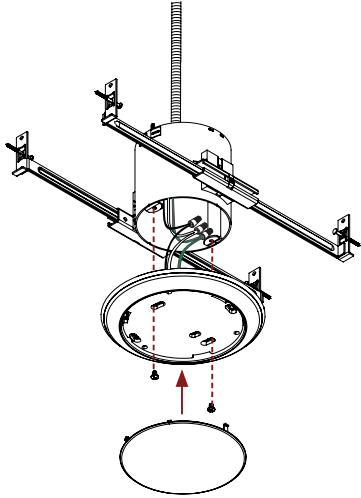
4" IC Airtight Junction Box Housing with Surface Mount Bracket

READ PRIOR TO ATTEMPTING INSTALLATION
ALWAYS TURN OFF MAIN POWER BEFORE INSTALLATION
INSTALLATION SHOULD BE CARRIED OUT BY YOUR LOCAL ELECTRICIAN

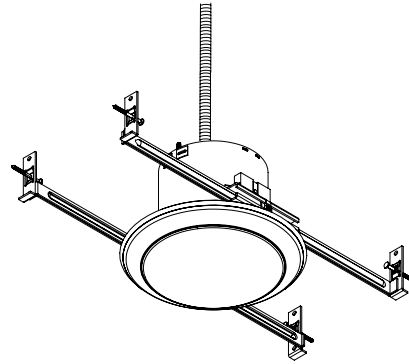
JUNCTION BOX INSTALLATION

⚠️ TURN OFF MAIN POWER BEFORE INSTALLATION

7 Install surface mount luminaire.



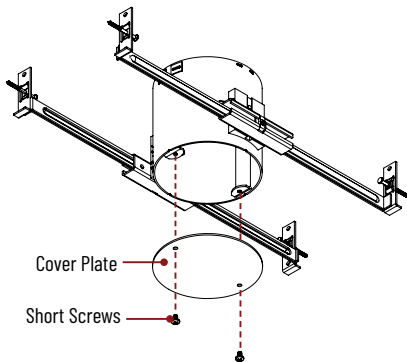
8 Installation Complete.



COVER PLATE INSTALLATION

REQUIRES: NFJB-R4CPA (Ordered Separately)

1 Place cover plate provided with NFJB-R4CPA (ordered separately) and fasten with short screws.



2 Installation complete.

