

# Installation Instructions

NC3-49 / NC3-69 / NC3-89

## Sapphire III Adjustable Reflectors

READ PRIOR TO ATTEMPTING INSTALLATION  
ALWAYS TURN OFF MAIN POWER BEFORE INSTALLATION  
INSTALLATION SHOULD BE CARRIED OUT BY YOUR LOCAL ELECTRICIAN

**⚠ WARNING:** Risk of fire or electric shock. Installation of this luminaire assembly requires a person familiar with the construction and operation of the luminaire's electrical system and the hazard involved. If not qualified, do not attempt installation. Contact qualified electrician.

**⚠ WARNING:** To prevent wiring damage or abrasion, do not expose wiring to edges of sheet metal or other sharp objects.

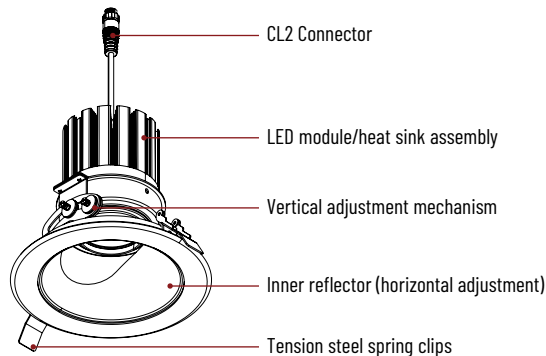
**⚠ WARNING:** Risk of fire or electric shock. Do not alter, relocate, or remove wiring, lampholders, power supply, or any other electrical component

**⚠ AVERTISSEMENT:** Risque d'incendie ou d'électrocution. Ne modifiez pas, ne déplacez pas et n'ôtez pas le câblage, les porte-lampe, le bloc d'alimentation ou tout autre composant électrique

**⚠ AVERTISSEMENT:** Afin d'éviter tout endommagement ou abrasion du câblage, ne mettez pas en contact le câblage avec les arêtes de la tôle ou d'autres objets tranchants.

**⚠ AVERTISSEMENT:** Risque d'incendie ou de choc électrique. Ne modifiez pas, ne déplacez pas ou n'enlevez pas le câblage, les douilles de lampe, l'alimentation électrique ou tout autre composant électrique.

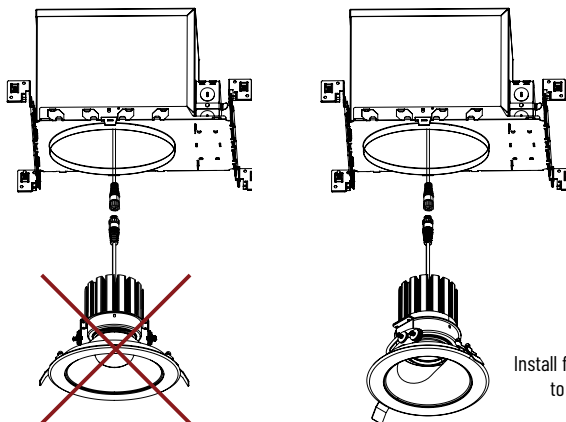
### PACKAGING CONTENTS



Sapphire III Adjustable

### REFLECTOR INSTALLATION

1. Connect female CL2 connector to male CL2 connector of the fixture to housing.
2. Push both tension steel spring clips up to insert into housing opening.  
**NOTE:** Fixture must be installed at a 45° angle in order to fit into housing. Fixture will not fit if tension steel spring clips are perpendicular to junction box.
3. Insert reflector into housing. Ensure the spring clips are holding the reflector securely.

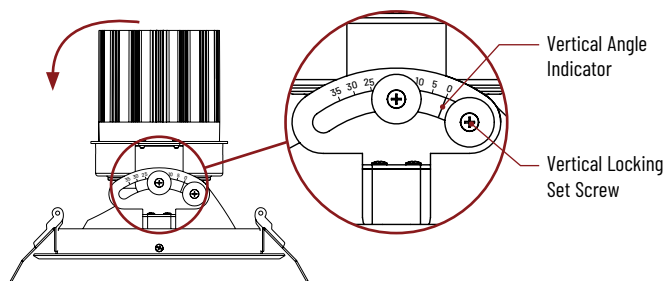


Fixture will not fit if tension steel spring clips are perpendicular to junction box

Install fixture at a 45° angle to fit into housing

### VERTICAL ADJUSTMENT

1. Loosen vertical locking set screw to allow fixture to adjust vertically.
2. Adjust LED module/heat sink assembly to desired angle.
3. Tighten vertical locking set screw to lock position.



### HORIZONTAL ADJUSTMENT

1. Inner reflector can be rotated up to 359° horizontally.
2. Turn LED module/heat sink assembly to desired orientation.  
**NOTE:** LED module/heat sink adjust along axis of slot aperture of reflector

