

# Installation Instructions

## NMRG3

### Flanged High Lumen LED Gimbal Multiple Lighting Housing

**READ PRIOR TO ATTEMPTING INSTALLATION**  
**ALWAYS TURN OFF MAIN POWER BEFORE INSTALLATION**  
**INSTALLATION SHOULD BE CARRIED OUT BY YOUR LOCAL ELECTRICIAN**

**⚠ WARNING** - This equipment is intended to be installed only by qualified personnel. The installation must be made in accordance with the current edition to the National Electric Code and all applicable state and local building codes. The final installation must be approved by the appropriate qualified electrical/building inspector(s). Improper installation may result in a fire or electrical hazard. Be sure the electrical power to the circuit has been disconnected before installing this electrical system.

**⚠ AVERTISSEMENT** - Cet équipement est destiné à être installé uniquement par du personnel qualifié. L'installation doit être faite en conformité avec l'édition actuelle du Code national de l'électricité et toutes étatiques et locales codes du bâtiment applicables. L'installation finale doit être approuvée par l'inspecteur en électricité / bâtiment qualifié approprié(s). Une mauvaise installation peut entraîner un incendie ou un risque électrique. Soyez sûr de la puissance électrique vers le circuit a été coupée avant l'installation de ce système électrique.

#### INSTALLATION INSTRUCTIONS

##### TO INSTALL HOUSING:

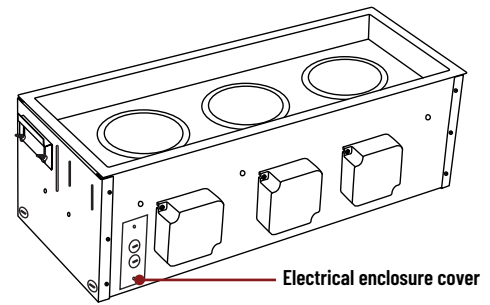
###### STANDARD "JOIST" CEILINGS:

1. Attach 2 supplied butterfly brackets to slots on both ends of the rectangular housing.
2. Insert NRA-28 Flat Bar Hangers (sold separately) to bottom slot of each butterfly bracket.
3. Secure flat bar hangers to the bottom surface of joist.
4. For steel studs, use steel piercing screws in place of nails or barbed tabs.

###### T-BAR CEILINGS:

If mounting to a T-Bar type ceiling, insert NRA-38 C-Channel Bar Hangers (sold separately) and mount fixture onto grid by placing notches on the bottom of each end of the bar hanger over the grid. Use knockouts on the ends of the bar hangers to tie down to the ceiling grid and/or independently secure to structural ceiling in compliance with seismic codes where required.

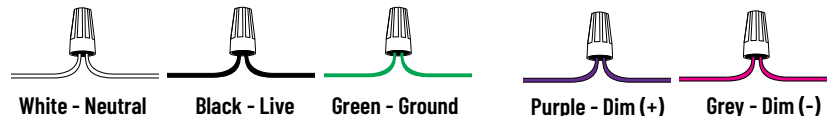
**IMPORTANT: TO PREVENT VISIBLE CEILING HOLES, CEILING CUTOUT MUST BE MADE TO THE DIMENSION OF THE INNER EDGE OF THE HOUSING. DO NOT CUT THE CEILING TO THE OUTER EDGE OF THE HOUSING.**



**NOTE: HOUSING, TRIM AND BALLAST / TRANSFORMER MOUNTING MAY DIFFER FROM PICTURE.**

#### ELECTRICAL CONNECTIONS

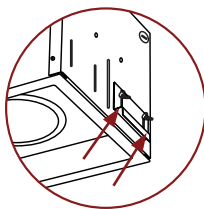
1. Connect 1/2 inch trade size steel conduit to junction box with appropriate fitting. If using Romex-type shielded wiring, use rectangular pry-out strain reliefs located on upper corners of junction box.
  2. Connect wires accordingly:
    - Black (120/277V) - Supply Voltage
    - White - Neutral
    - Green / Copper Wire - Grounding Junction Box Wire
- 0-10V DIMMING CONNECTION:**
- Purple - Dim (+)
  - Grey - Dim (-)
- (Maximum of 8 no. 12 AWG through branch circuit conductors suitable for at least 90°C permitted in junction box. AC ONLY)



**NOTE ON GROUNDING:** Many structures carry grounding via steel conduit. If this is the case, if there is no grounding wire, simply leave green wire on fixture unattached. Fixture will be grounded through attachment of conduit to junction box. However, if Romex or PVC conduit is used, ground wire will always be present, and must be connected to green wire on fixture junction box to avoid electrical shock hazard.

#### CEILING THICKNESS ADJUSTMENT

1. Loosen ceiling thickness screws on each side.
2. Adjust housing until ceiling collar is flush with drywall.
3. Tighten ceiling thickness screws lock housing in place.



#### TRIM INSTALLATION

1. Connect LED luminaire's quick connect to housing.
2. Squeeze torsion springs on trim and insert into housing bracket.
3. Push trim onto housing until flush with ceiling.
4. Adjust LED luminaires to desired position.

