

Installation Instructions

NRMC3-6

6" Marquise III LED Retrofit

READ PRIOR TO ATTEMPTING INSTALLATION
ALWAYS TURN OFF MAIN POWER BEFORE INSTALLATION
INSTALLATION SHOULD BE CARRIED OUT BY YOUR LOCAL ELECTRICIAN

⚠ WARNING - Risk of fire or electric shock. Installation of this retrofit assembly requires a person familiar with the construction and operation of the luminaire's electrical system and the hazard involved. If not qualified, do not attempt installation. Contact a qualified electrician.

⚠ WARNING - Risk of fire or electric shock. Install this kit only in the luminaire that has the construction features and dimensions shown in the photographs and/or drawings and where the input rating of the retrofit kit does not exceed the input rating of the luminaire.

⚠ WARNING - To prevent wiring damage or abrasion, do not pinch or damage exposed wiring during installation. Keep away from edges of sheet metal or other sharp objects

⚠ WARNING - Risk of fire or electric shock. Do not alter, relocate, or remove wiring, lamp holders, power supply, or any other electrical component.

DO NOT MAKE OR ALTER ANY OPEN HOLES IN AN ENCLOSURE OF WIRING OR ELECTRICAL COMPONENTS DURING KIT INSTALLATION

ONLY THOSE OPEN HOLES INDICATED IN THE PHOTOGRAPHS AND/OR DRAWINGS MAY BE MADE OR ALTERED AS A RESULT OF KIT INSTALLATION. DO NOT LEAVE ANY OTHER OPEN HOLES IN AN ENCLOSURE OF WIRING OR ELECTRICAL COMPONENTS

⚠ AVERTISSEMENT - Risque d'incendie ou de choc électrique. L'installation de ce nécessaire de modernisation exige une personne familière avec la construction et le fonctionnement du système électrique du luminaire et des risques associés. Toute personne qui n'est pas qualifiée ne doit faire aucune tentative d'installation et doit contacter un électricien qualifié.

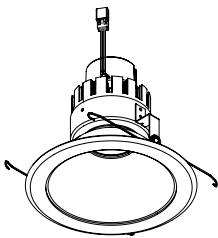
⚠ AVERTISSEMENT - Risque d'incendie ou de choc électrique. N'installez ce nécessaire que dans le luminaire dont les caractéristiques de construction et les dimensions sont conformes à celles illustrées dans les photos et/ou les dessins et dont la puissance d'entrée nominale du nécessaire de modernisation ne dépasse pas celle du luminaire.

⚠ AVERTISSEMENT - Afin de prévenir l'endommagement ou l'abrasion des câbles, évitez tout contact entre ces derniers et le bord d'un objet tranchant tel qu'une tôle.

⚠ AVERTISSEMENT - Risque d'incendie ou de choc électrique. Ne pas modifier, déplacer ou d'enlever le câblage, les douilles, l'alimentation, ou tout autre composant électrique.

IL EST INTERDIT DE FAIRE OU DE MODIFIER UNE OUVERTURE DANS UN BOÎTIER DE CÂBLAGE OU DE COMPOSANTS ÉLECTRIQUES AU COURS DE L'INSTALLATION DU NÉCESSAIRE. SEULS LES OUVERTURES INDIQUÉES DANS LES PHOTOS ET/OU LES DESSINS PEUVENT ÊTRE FAITS OU MODIFIÉS À LA SUITE DE L'INSTALLATION DU NÉCESSAIRE. IL EST INTERDIT DE LAISSER D'AUTRES OUVERTURES DANS UN BOÎTIER DE CÂBLAGE OU DE COMPOSANTS ÉLECTRIQUES.

PACKAGING CONTENTS



Marquise III Retrofit



Medium Base Socket Adapter



Male Ideal® Quick Connect



Lamp Replacement Marking Sticker



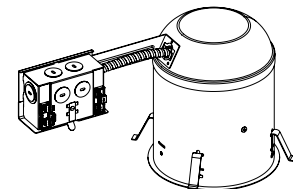
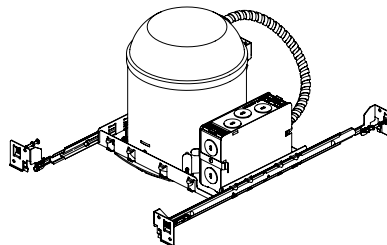
HOUSING CAN DIMENSIONS

Refer to correlation label of luminaire and/or specification sheet at www.NoraLighting.com

Install this kit only in luminaires that have the construction features and dimensions described in these instructions, and where the input rating of the retrofit kit does not exceed the input rating of the luminaire.

Max. Number of 12AWG through branch wiring: 8

Housing Dimensions	6"
Width	6.05"
Height	5.51"



Installation Instructions

NRMC3-6

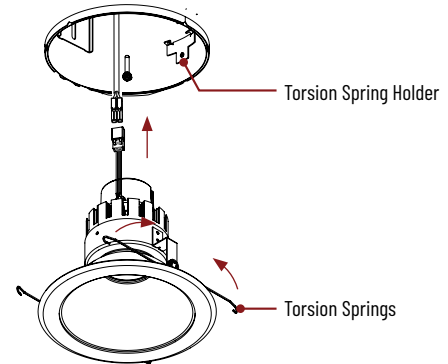
6" Marquise III LED Retrofit

READ PRIOR TO ATTEMPTING INSTALLATION
ALWAYS TURN OFF MAIN POWER BEFORE INSTALLATION
INSTALLATION SHOULD BE CARRIED OUT BY YOUR LOCAL ELECTRICIAN

INSTALLATION INTO LED HOUSINGS

⚠️ TURN OFF MAIN POWER BEFORE INSTALLATION

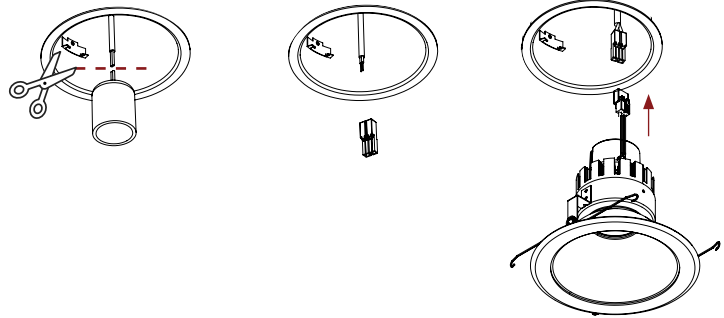
1. Connect luminaire's connector to quick connect of Nora's LED dedicated housing.
2. Squeeze torsion springs on trim and insert into holder in the housing.
3. Carefully route wires into fixture and push fixture up flush to ceiling surface.



RETROFITTING INTO HOUSING AS LED CONVERSION

⚠️ TURN OFF MAIN POWER BEFORE INSTALLATION

1. Remove existing trim and light bulb from the recessed housing to reveal the medium base socket. If applicable, remove socket from plate.
2. Place provided LED Lamp Replacement Marking Sticker inside the housing where visible to installer.
3. Cut medium base socket cable off existing housing and connect wires maintaining polarity using the provided male orange connector.
4. Connect luminaire and squeeze torsion springs on trim and insert into holder in the housing.



RETROFITTING INTO HOUSINGS AS LED LAMP REPLACEMENT

⚠️ TURN OFF MAIN POWER BEFORE INSTALLATION

1. Remove existing trim and light bulb from the recessed housing to reveal the medium base socket. If applicable, remove socket from plate.
2. Place provided LED Lamp Replacement Marking Sticker inside the housing where visible to installer.
3. Screw medium base socket adapter into medium base socket. (Figure 1)
4. Squeeze torsion springs on trim and insert into holder in the housing. (Figure 2)
5. Carefully place wires into the housing and push fixture up flush to ceiling surface.

