

NC3-49

4" Sapphire III Adjustable Reflector

Source: 11W or 16W

900lm or 1500lm

Type

Project

Catalog No.

Notes

PRODUCT DESCRIPTION

Adjustable Sapphire III COB Series is a commercial grade LED high lumen downlight. The Sapphire III utilizes Signify® Fortimo COB LED technology for better optic control with three specified beam spreads. Beam spreads focus the light down to the work plane from high ceiling applications. The reflectors have been designed for the high efficiency (LPW) while providing low aperture brightness. The Sapphire III COB Series is proudly assembled in the USA.

FEATURES

- Adjustable mechanism tilts up to 35° vertically and 359° horizontal rotation
- Locking vertical aiming
- Adjustable from below the ceiling
- Signify® Fortimo COB LED technology
- Shatter resistant lens
- Specifiable beam spreads
- 900lm or 1500lm LED packages
- 2700K, 3000K, 3500K and 4000K @ 90+ CRI
- 5-year limited warranty
- ENERGY STAR certified

SPECIFICATION

Reflector: Bias cut reflector spun from 0.050 high grade aluminum allows LED light engine to illuminate along axis.

Reflector Assembly: The reflector assembly includes the LED optical package and heat sink mounted on top. Reflector assembly easily wires to dedicated housing with lockable quick connect. Reflector assembly has graduation marks and locking screw.

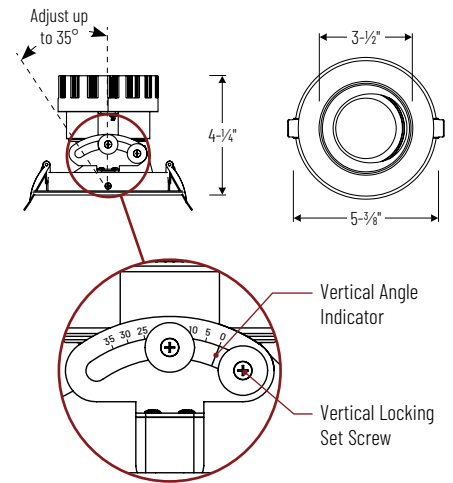
ELECTRICAL	L1	L2
Delivered Lumens	900lm	1500lm
Wattage	11W max.	16W max.
Color Temperature	2700K, 3000K, 3500K or 4000K	
Color Rendering Index	90+ CRI	
Beam Spread	28° Spot, 48° Narrow Flood or 60° Flood	
Compatible Housing	NCHAIC3-4L1	NCHAIC3-4L2
Lifetime	50,000 hours @ L70	

LABELS AND LISTINGS

- cULus Listed for Damp Locations
- ENERGY STAR certified
- [5-Year Limited Warranty](#)
- FCC compliant



PRODUCT IMAGE & DIMENSIONS



BB
Black Reflector / Black Flange



HZ
Haze Reflector / Haze Flange



HZMPW
Haze Reflector /
Matte Powder White Flange



MPW
Matte Powder White Reflector /
Matte Powder White Flange

4" Sapphire III Adjustable Reflector - Dedicated Housing Required

Lumens / Wattage	CCT	Beam Spread	Reflector / Flange Finish
NC3-49L1 = 900lm / 11W	27 = 2700K	S = 37° Spot	BB = Black Reflector / Black Flange
NC3-49L2 = 1500lm / 16W	30 = 3000K	N = 52° Narrow Flood	HZ = Haze Reflector / Haze Flange
	35 = 3500K	F = 63° Flood	HZMPW = Haze Reflector / Matte Powder White White Flange
	40 = 4000K		MPW = Matte Powder White Reflector / Matte Powder White Flange

Example: **NC3-49L230SMPW** = 4" Adjustable Sapphire III Reflector, 1500lm / 16W, 3000K, 37° Spot Beam Spread, Matte Powder White Reflector / Matte Powder White Flange

PHOTOMETRICS

4" Sapphire III Adjustable Reflector
1500lm / 16W

Type

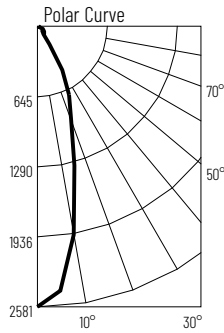
Project

Catalog No.

Notes

Test Information

Test Number: NTR2386R2
Part Number: NC3-49L240SMPW
Beam Spread: 30° Spot
Lumens: 1291lm
Wattage: 15.08W
Efficacy: 86lpw
CCT / CRI: 4000K / 90 CRI
Spacing Criteria (0°-180°): 0.52
Spacing Criteria (90°-270°): 0.52



Illuminance at a Distance

Distance from Luminaire	FC at Nadir	Beam Diameter
4'	161fc	2'-2"
6'	71.7fc	3'-4"
8'	40.3fc	4'-5"
10'	25.8fc	5'-6"
12'	17.9fc	6'-7"

Zonal Lumen Summary

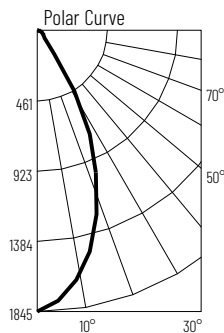
Zone	Lumens	% Luminaire
0-30	909	70.4
0-40	1056	81.8
0-60	1189	92.1
0-90	1291	100
90-180	0	0
0-180	1291	100

Candela Table

Vertical Angles	Candela
0	2581
5	2440
15	1324
25	694
35	203
45	74

Test Information

Test Number: NTR2387R1
Part Number: NC3-49L240NMPW
Beam Spread: 48° Narrow Flood
Lumens: 1339lm
Wattage: 15.08W
Efficacy: 89lpw
CCT / CRI: 4000K / 90 CRI
Spacing Criteria (0°-180°): 0.76
Spacing Criteria (90°-270°): 0.78



Illuminance at a Distance

Distance from Luminaire	FC at Nadir	Beam Diameter
4'	115fc	3'-7"
6'	51.3fc	5'-5"
8'	28.8fc	7'-1"
10'	18.5fc	8'-11"
12'	12.8fc	10'-8"

Zonal Lumen Summary

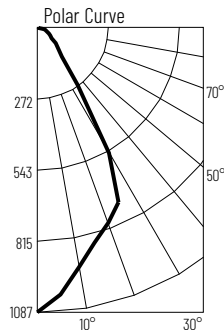
Zone	Lumens	% Luminaire
0-30	864	64.5
0-40	1086	81.1
0-60	1237	92.4
0-90	1339	100
90-180	0	0
0-180	1339	100

Candela Table

Vertical Angles	Candela
0	1845
5	1766
15	1418
25	873
35	253
45	71

Test Information

Test Number: NTR2388R1
Part Number: NC3-49L240FMPW
Beam Spread: 60° Flood
Lumens: 1167lm
Wattage: 15.1W
Efficacy: 77lpw
CCT / CRI: 4000K / 90 CRI
Spacing Criteria (0°-180°): 0.94
Spacing Criteria (90°-270°): 0.88



Illuminance at a Distance

Distance from Luminaire	FC at Nadir	Beam Diameter
4'	67.9fc	4'-8"
6'	30.2fc	7'
8'	17fc	9'-4"
10'	10.9fc	11'-7"
12'	7.6fc	14'

Zonal Lumen Summary

Zone	Lumens	% Luminaire
0-30	656	56.2
0-40	841	72
0-60	1035	88.7
0-90	1167	100
90-180	0	0
0-180	1167	100

Candela Table

Vertical Angles	Candela
0	1087
5	1022
15	850
25	737
35	268
45	117

Lumen Output Multipliers

Lumen Package: L1 (0.75), L2 (1.00)
Color Temperature: 2700K (0.5), 3000K (0.91), 3500K (0.97), 4000K (1.00)