

NC3-89

8" Sapphire III Adjustable Reflector

Source: 11W to 46W

900lm to 4500lm

Type

Project

Catalog No.

Notes

PRODUCT DESCRIPTION

Adjustable Sapphire III COB Series is a commercial grade LED high lumen downlight. The Sapphire III utilizes Signify® Fortimo COB LED technology for better optic control with three specified beam spreads. Beam spreads focus the light down to the work plane from high ceiling applications. The reflectors have been designed for the high efficiency (LPW) while providing low aperture brightness. The Sapphire III COB Series is proudly assembled in the USA.

FEATURES

- Adjustable mechanism tilts up to 35° vertically and 359° horizontal rotation
- Locking vertical aiming
- Adjustable from below the ceiling
- Signify® Fortimo COB LED technology
- Shatter resistant lens
- Specifiable beam spreads
- 900lm, 1500lm, 2500lm, 3500lm or 4500lm LED packages
- 2700K, 3000K, 3500K and 4000K @ 90+ CRI
- 5-year limited warranty
- ENERGY STAR certified

SPECIFICATION

Reflector: Bias cut reflector spun from 0.050 high grade aluminum allows LED light engine to illuminate along axis.

Reflector Assembly: The reflector assembly includes the LED optical package and heat sink mounted on top. Reflector assembly easily wires to dedicated housing with lockable quick connect. Reflector assembly has graduation marks and locking screw.

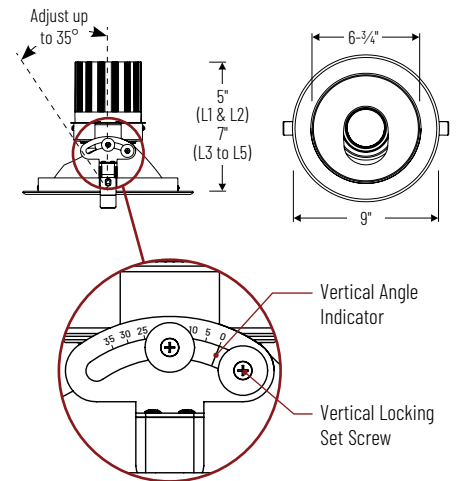
ELECTRICAL	L1	L2	L3	L4	L5
Delivered Lumens	900lm	1500lm	2500lm	3500lm	4500lm
Wattage	11W max.	16W max.	24W max.	38W max.	46W max.
Color Temperature	2700K, 3000K, 3500K or 4000K				
Color Rendering Index	90+ CRI				
Beam Spread	Spot, Narrow Flood or Flood				
Compatible Housing	NCHAIC3-8L1	NCHAIC3-8L2	NCHAIC3-8L3	NCHA3-8L4	NCHA3-8L5
Lifetime	50,000 hours @ L70				

LABELS AND LISTINGS

- cULus Listed for Damp Locations
- ENERGY STAR certified
- [5-Year Limited Warranty](#)
- FCC compliant



PRODUCT IMAGE & DIMENSIONS



8" Sapphire III Adjustable Reflector - Dedicated Housing Required

Lumens / Wattage	CCT	Beam Spread	Reflector / Flange Finish
NC3-89L1 = 900lm / 11W	27 = 2700K	S = 37° Spot	MPW = Matte Powder White Reflector / Matte Powder White Flange
NC3-89L2 = 1500lm / 16W	30 = 3000K	N = 52° Narrow Flood	
NC3-89L3 = 2500lm / 24W	35 = 3500K	F = 63° Flood	
NC3-89L4 = 3500lm / 38W	40 = 4000K		
NC3-89L5 = 4500lm / 46W			

Example: **NC3-89L530MPW** = 8" Adjustable Sapphire III Reflector, 4500lm / 46W, 3000K, 37° Spot Beam Spread, Matte Powder White Reflector / Matte Powder White Flange

PHOTOMETRICS

8" Sapphire III Adjustable Reflector
4500lm / 46W

Type

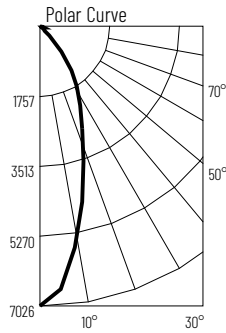
Project

Catalog No.

Notes

Test Information

Test Number: NTR2392R1
Part Number: NC3-89L540SMPW
Beam Spread: 36° Spot
Lumens: 4499lm
Wattage: 44.13W
Efficacy: 102lpw
CCT / CRI: 4000K / 90 CRI
Spacing Criteria (0°-180°): 0.58
Spacing Criteria (90°-270°): 0.6



Illuminance at a Distance

Distance from Luminaire	FC at Nadir	Beam Diameter
8'	110fc	5'-4"
12'	48.84fc	8'
16'	27.4fc	10'-7"
20'	17.6fc	13'-4"
24'	12.2fc	15'-11"

Zonal Lumen Summary

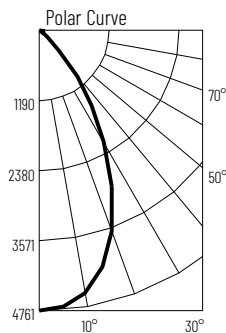
Zone	Lumens	% Luminaire
0-30	2582	57.4
0-40	3498	77.8
0-60	4357	96.8
0-90	4499	100
90-180	0	0
0-180	4499	100

Candela Table

Vertical Angles	Candela
0	7026
5	6518
15	4215
25	2477
35	1456
45	333

Test Information

Test Number: NTR2393R1
Part Number: NC3-89L540NMPW
Beam Spread: 57° Narrow Flood
Lumens: 4587lm
Wattage: 43.31W
Efficacy: 106lpw
CCT / CRI: 4000K / 90 CRI
Spacing Criteria (0°-180°): 0.88
Spacing Criteria (90°-270°): 0.88



Illuminance at a Distance

Distance from Luminaire	FC at Nadir	Beam Diameter
8'	74.4fc	8'-10"
12'	33.1fc	13'-1"
16'	18.6fc	17'-6"
20'	11.9fc	21'-11"
24'	8.3fc	26'-4"

Zonal Lumen Summary

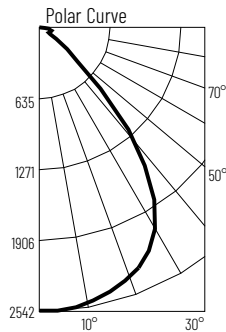
Zone	Lumens	% Luminaire
0-30	2922	63.7
0-40	3915	85.3
0-60	4482	97.7
0-90	4587	100
90-180	0	0
0-180	4587	100

Candela Table

Vertical Angles	Candela
0	4761
5	4714
15	4166
25	2926
35	1560
45	474

Test Information

Test Number: NTR2394R1
Part Number: NC3-89L540FMPW
Beam Spread: 81° Flood
Lumens: 4128lm
Wattage: 43.26W
Efficacy: 95lpw
CCT / CRI: 4000K / 90 CRI
Spacing Criteria (0°-180°): 1.22
Spacing Criteria (90°-270°): 1.2



Illuminance at a Distance

Distance from Luminaire	FC at Nadir	Beam Diameter
8'	39.6fc	13'-10"
12'	17.6fc	20'-8"
16'	9.9fc	27'-7"
20'	6.3fc	34'-6"
24'	4.4fc	41'-5"

Zonal Lumen Summary

Zone	Lumens	% Luminaire
0-30	1955	47.4
0-40	2788	67.5
0-60	3943	95.5
0-90	4128	100
90-180	0	0
0-180	4128	100

Candela Table

Vertical Angles	Candela
0	2536
5	2533
15	2449
25	2264
35	1776
45	801

Lumen Output Multipliers

Lumen Package: L1 (0.23), L2 (0.31), L3 (0.58), L4 (0.84), L5 (1.00)
Color Temperature: 2700K (0.5), 3000K (0.91), 3500K (0.97), 4000K (1.00)