

NCH3-4

4" Sapphire III New Construction Frame-In

Source: 13W to 46W

900lm to 4500lm

Type

Project

Catalog No.

Notes

PRODUCT DESCRIPTION

Galvanized steel new construction frame-in riveted to 0.064" steel junction box and driver tray. Plaster frame opening includes (3) "butterfly" spring clips to hold reflector assembly in place.

Mounting: Frame-in includes two adjustable bar hangers and universal brackets that accept flat bar hangers, C-Channel (ordered separately) or rigid 1/2" conduit. Adjustable hanger bars with captive nails, alignment foot, T-Bar slot are included on frame. Frame-in includes an adjustable deep ceiling collar that accommodates ceiling thickness from 1/2" to 2".

Minimum Clearances: Frames require a minimum of 3" from thermal insulation and 1/2" from adjacent building component.

Junction Box: Plaster frame integrated 29 cubic inch 0.064" thick galvanized steel, with seven 1/2" knockouts, four pryouts, and snap on cover. Electrical connections are made through a single junction box door. Green wire provided for installations with ground wire fed through PVC pipe conduit. Junction box connects to reflector assembly with lockable quick connect.

Thermal Protector: Phase dimming drivers require an external thermal device, which is located on the junction box; Other drivers are thermally protected.

Driver: Isolated driver separates the primary side from the secondary side.

ELECTRICAL	L1	L2	L3	L4	L5
Input Voltage	120VAC or 120-277VAC		120VAC or 277VAC		
Input Power	13W max.	18W max.	26W max.	38W max.	46W max.
Power Factor	≥0.90				
Dimming	Triac/ELV or 0-10V				
Operating Temperature	0°C to 40°C	0°C to 40°C	0°C to 35°C	0°C to 35°C	0°C to 25°C
Compatible Reflectors	NC3-41L1 NC3-46L1 NC3-48L1	NC3-41L2 NC3-46L2 NC3-48L2	NC3-41L3 NC3-46L3 NC3-48L3	NC3-41L4 NC3-46L4 NC3-48L4	NC3-41L5

Emergency LED Driver

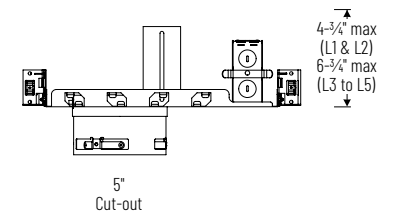
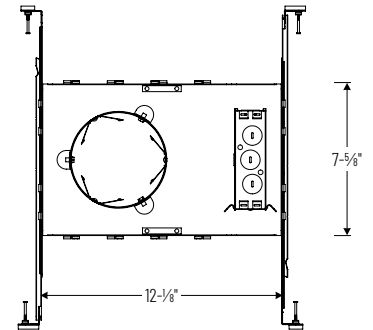
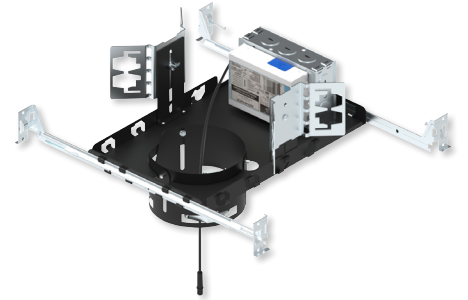
- Up to 7W emergency illumination with LEDs
- Illumination Time: 90 minutes
- Voltage: 120-277VAC, 50/60Hz
- Output Voltage: 10-60 VDC
- Remote test switch included

LABELS AND LISTINGS

- cULus Listed for Damp Locations (Wet Locations when used with compatible reflector)
- [5-Year Limited Warranty](#)
- RoHS Compliant
- FCC Compliant
- Emergency LED Driver meets Title 20 CEC efficiency standards



PRODUCT IMAGES AND DIMENSIONS



4" Sapphire III New Construction Frame-In - Compatible with Sapphire III Reflectors

Lumens / Wattage	Input Voltage / Dimming	Optional Emergency
NCH3-4L1 = 900lm / 13W NCH3-4L2 = 1500lm / 18W	P01 = 120V; Phase Dimming (Triac/ELV) C12 = 120-277V; 0-10V Dimming	EM = Emergency Pack w/ Remote Test Switch
NCH3-4L3 = 2500lm / 26W NCH3-4L4 = 3500lm / 38W NCH3-4L5 = 4500lm / 46W	P01 = 120V; Phase Dimming (Triac/ELV) C01 = 120V; 0-10V Dimming C02 = 277V; 0-10V Dimming	EM = Emergency Pack w/ Remote Test Switch

Example: **NCH3-4L5C02** = 4" Sapphire III New Construction Frame-In, 4500lm / 46W, 277V input; 0-10V dimming