

NCH3-8

8" Sapphire III New Construction Frame-In

Source: 13W to 60W

900lm to 5500lm

Type

Project

Catalog No.

Notes

PRODUCT DESCRIPTION

Galvanized steel new construction frame-in riveted to 0.064" steel junction box and driver tray. Plaster frame opening includes (3) "butterfly" spring clips to hold reflector assembly in place.

Mounting: Frame-in includes two adjustable bar hangers and universal brackets that accept flat bar hangers, C-Channel (ordered separately) or rigid 1/2" conduit. Adjustable hanger bars with captive nails, alignment foot, T-Bar slot are included on frame. Frame-in includes an adjustable deep ceiling collar that accommodates ceiling thickness from 1/2" to 2".

Minimum Clearances: Frames require a minimum of 3" from thermal insulation and 1/2" from adjacent building component.

Junction Box: Plaster frame integrated 29 cubic inch 0.064" thick galvanized steel, with seven 1/2" knockouts, four pryouts, and snap on cover. Electrical connections are made through a single junction box door. Green wire provided for installations with ground wire fed through PVC pipe conduit. Junction box connects to reflector assembly with lockable quick connect.

Thermal Protector: Phase dimming drivers require an external thermal device, which is located on the junction box; Other drivers are thermally protected.

Driver: Isolated driver separates the primary side from the secondary side.

ELECTRICAL	L1	L2	L3	L4	L5	L6
Input Voltage	120VAC or 120-277VAC		120VAC or 277VAC			
Input Power	13W max.	18W max.	26W max.	38W max.	46W max.	60W max.
Power Factor	≥0.90					
Dimming	Triac/ELV or 0-10V					
Operating Temperature	0°C to 40°C	0°C to 40°C	0°C to 35°C	0°C to 35°C	0°C to 25°C	0°C to 25°C
Compatible Reflectors	NC3-81L1 NC3-86L1 NC3-88L1	NC3-81L2 NC3-86L2 NC3-88L2	NC3-81L3 NC3-86L3 NC3-88L3	NC3-81L4 NC3-86L4 NC3-88L4	NC3-81L5 NC3-86L5 NC3-88L5	NC3-81L6 NC3-86L6 NC3-88L6

Emergency LED Driver

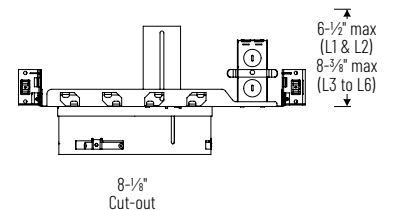
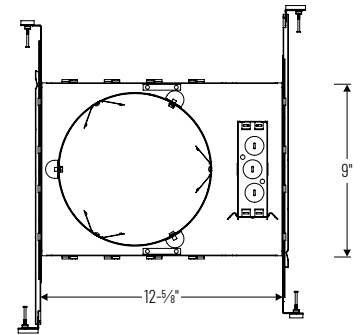
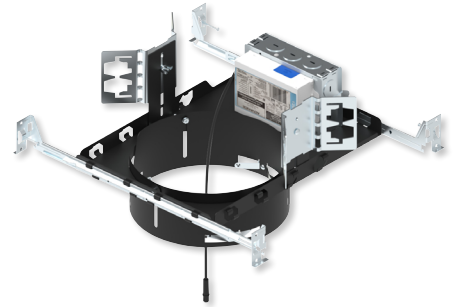
- Up to 7W emergency illumination with LEDs
- Illumination Time: 90 minutes
- Voltage: 120-277VAC, 50/60Hz
- Output Voltage: 10-60 VDC
- Available with remote or integral test switch (must specify)

LABELS AND LISTINGS

- cULus Listed for Damp Locations (Wet Locations when used with compatible reflector)
- [5-Year Limited Warranty](#)
- RoHS Compliant
- FCC Compliant
- Emergency LED Driver meets Title 20 CEC efficiency standards



PRODUCT IMAGES AND DIMENSIONS



8" Sapphire III New Construction Frame-In - Compatible with Sapphire III Reflectors

Lumens / Wattage	Input Voltage / Dimming	Optional Emergency
NCH3-8L1 = 900lm / 13W	P01 = 120V; Phase Dimming (Triac/ELV)	EM = Emergency Pack w/ Remote Test Switch
NCH3-8L2 = 1500lm / 18W	C12 = 120-277V; 0-10V Dimming	EMI = Emergency Pack w/ Integral Test Switch
		(Compatible with NC3-81 only, must specify on reflector)
NCH3-8L3 = 2500lm / 26W	P01 = 120V; Phase Dimming (Triac/ELV)	EM = Emergency Pack w/ Remote Test Switch
NCH3-8L4 = 3500lm / 38W	C01 = 120V; 0-10V Dimming	EMI = Emergency Pack w/ Integral Test Switch
NCH3-8L5 = 4500lm / 46W	C02 = 277V; 0-10V Dimming	(Compatible with NC3-81 only, must specify on reflector)
NCH3-8L6 = 5500lm / 60W		

Example: **NCH3-8L6C02** = 8" Sapphire III New Construction Frame-In, 5500lm / 60W, 277V input; 0-10V dimming